

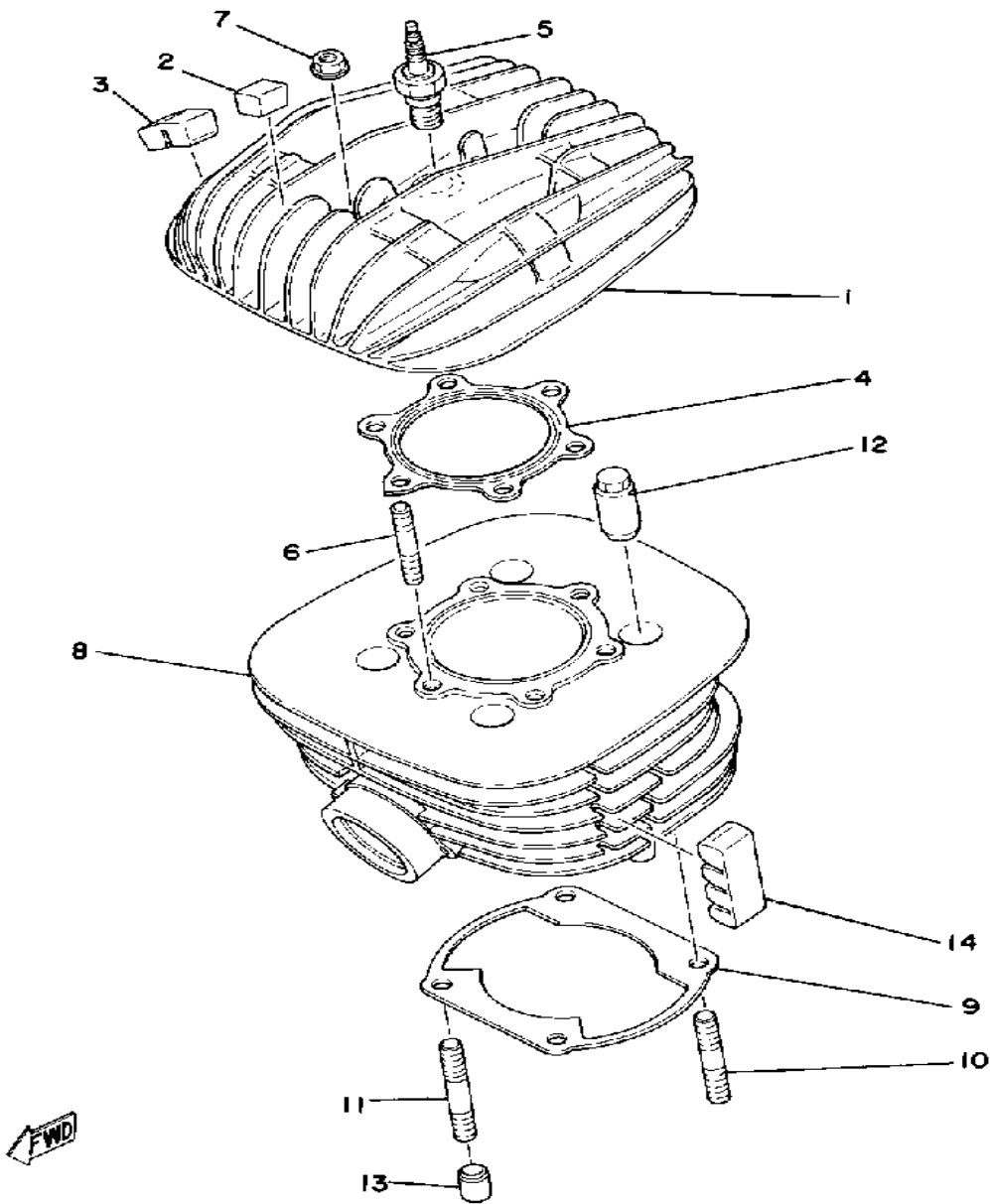
YAMAHA

GENUINE

PARTS CATALOGUE

MOTORCYCLE

ENGINE TYPE	2-Stroke, Air-Cooled, Reed Valve
Bore/Stroke/Number Cylinders/Displacement (cc)	70mm / 64mm / 1 / 246cc
Compression Ratio/Compression Pressure min~max	7.9:1 / N/A

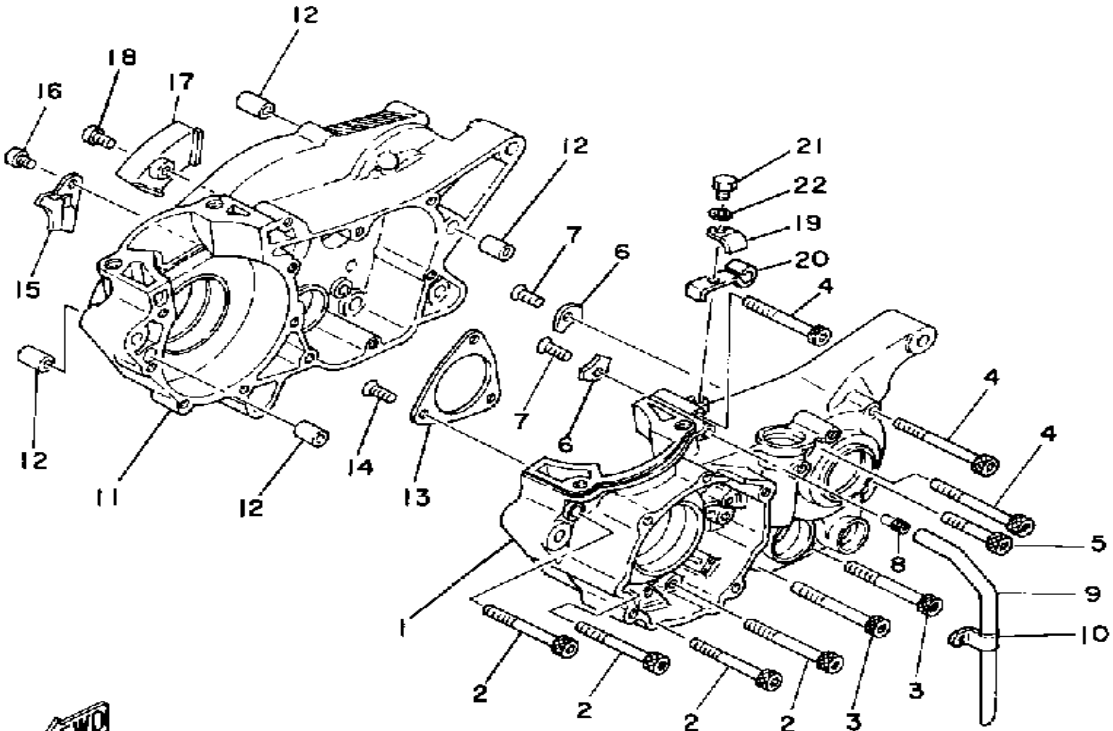
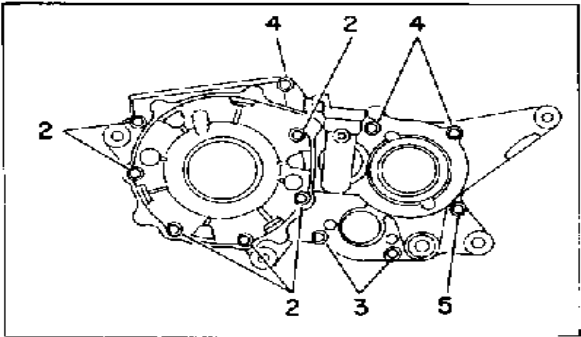


Spark Plug Type	Champion N-2G
Spark Plug Gap / Torque / Cap Ω	0.6 ~ 0.7mm / 2.2 m·kg / ∅
Cylinder Head:	8 x 1.25: 2.5 m·kg

CYLINDER

Ref. No.	Part Number	Description	Qty	Remarks
1	(2X4-11111-00-00)	HEAD, CYLINDER 1	1	
2	363-11161-00-00	ABSORBER 1 (363-11161-00)	2	
3	(1W6-11161-00-00)	ABSORBER 1	8	ALTERNATE PARTS
	1W2-11161-00-00	ABSORBER 1	2	
4	1W3-11181-00-00	GASKET, CYLINDER HEAD 1	1	
	1W3-11181-00-00	GASKET, CYLINDER HEAD 1	1	ALTERNATE PARTS
5	(CMP-N2G00-00-00)	CHAMPION N2G 10PK	1	
6	90116-08321-00	BOLT, STUD	6	
7	90179-08491-00	NUT, FLANGE	6	
8	3R7-11311-00-00	CYLINDER 1	1	
9	2K7-11351-00-00	GASKET, CYLINDER	1	
10	90116-10263-00	BOLT, STUD	2	
11	90116-10258-00	BOLT, STUD	2	
12	90179-10201-00	NUT	4	
13	99530-14016-00	PIN, DOWEL	2	
14	2N6-11127-00-00	ABSORBER 3	2	

CRANKCASE

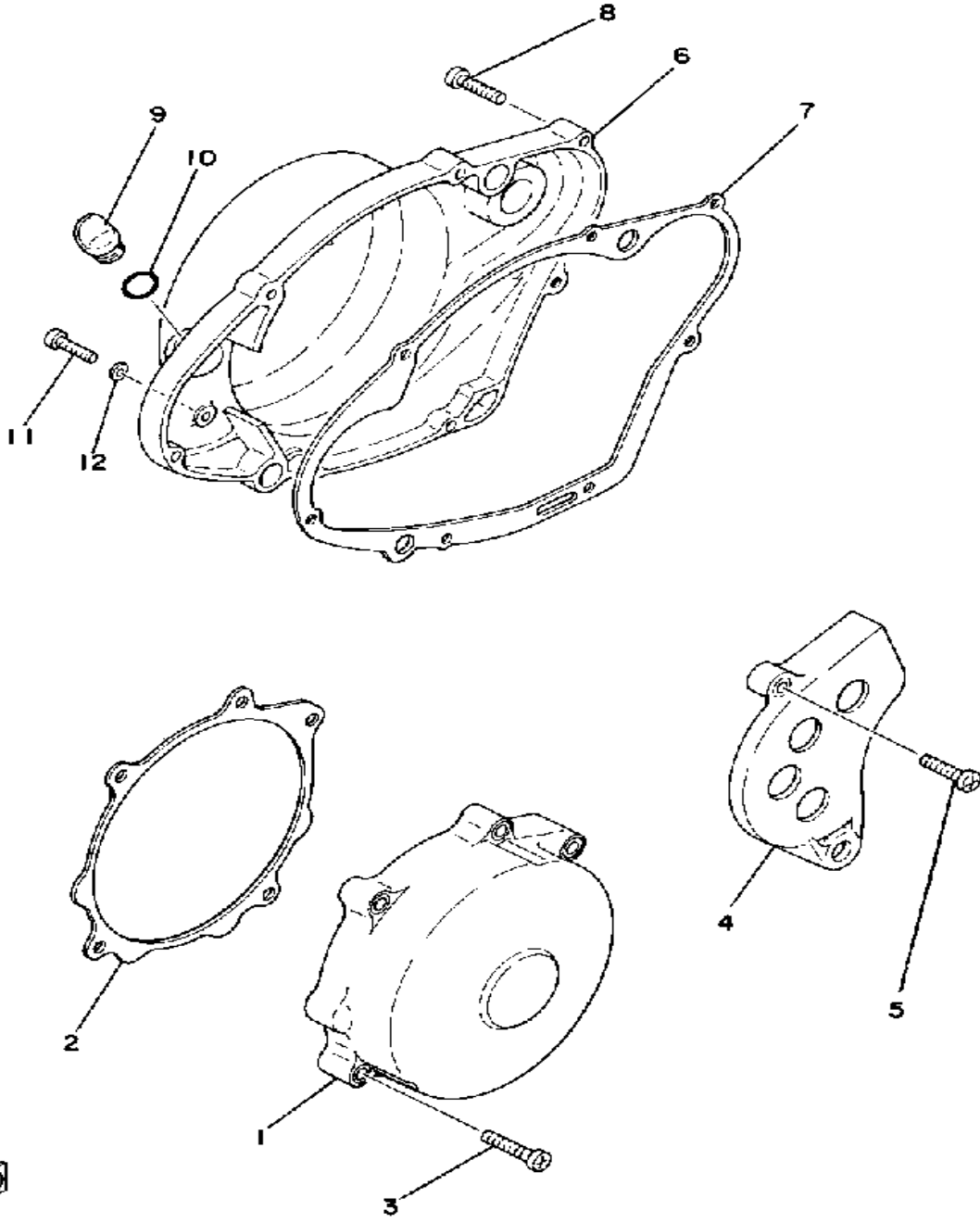


Ref. No.	Part Number	Description	Qty	Remarks
1	2X7-15111-00-00	CRANKCASE 1	1	
2	91316-06065-00	BOLT, SOCKET HEAD	6	
3	91316-06070-00	BOLT, SOCKET HEAD	2	
4	91316-06075-00	BOLT, SOCKET HEAD	3	
5	91316-06045-00	BOLT, SOCKET HEAD	1	
6	2K7-15383-00-00	PLATE, BEARING COVER	2	
7	98603-06012-00	SCREW, OVAL HEAD (92701-06012)	2	
8	137-13115-00-00	CONNECTOR, SUCTION PIPE .	1	
9	90445-08376-00	HOSE	1	
10	(90462-08043-00)	CLAMP	1	
11	(2X7-15121-00-00)	CRANKCASE 2	1	
12	99510-12016-00	PIN, DOWEL	4	
13	1W4-15383-00-00	PLATE, BRNG COVER	1	
14	98603-06012-00	SCREW, OVAL HEAD (92701-06012)	3	
15	(2K7-15118-00-00)	HOLDER	1	
16	92501-08010-00	SCREW, PAN HEAD	1	
17	(2K7-15113-00-00)	PLATE	1	
18	98580-06010-00	SCREW, PAN HEAD (92503-06010)	1	
19	90462-08042-00	CLAMP	1	
20	(2K7-15441-02-00)	HOLDER, CLCH CABLE	1	
21	97301-06014-00	BOLT, HEXAGON	1	
22	92995-06100-00	WASHER, SPRING	1	

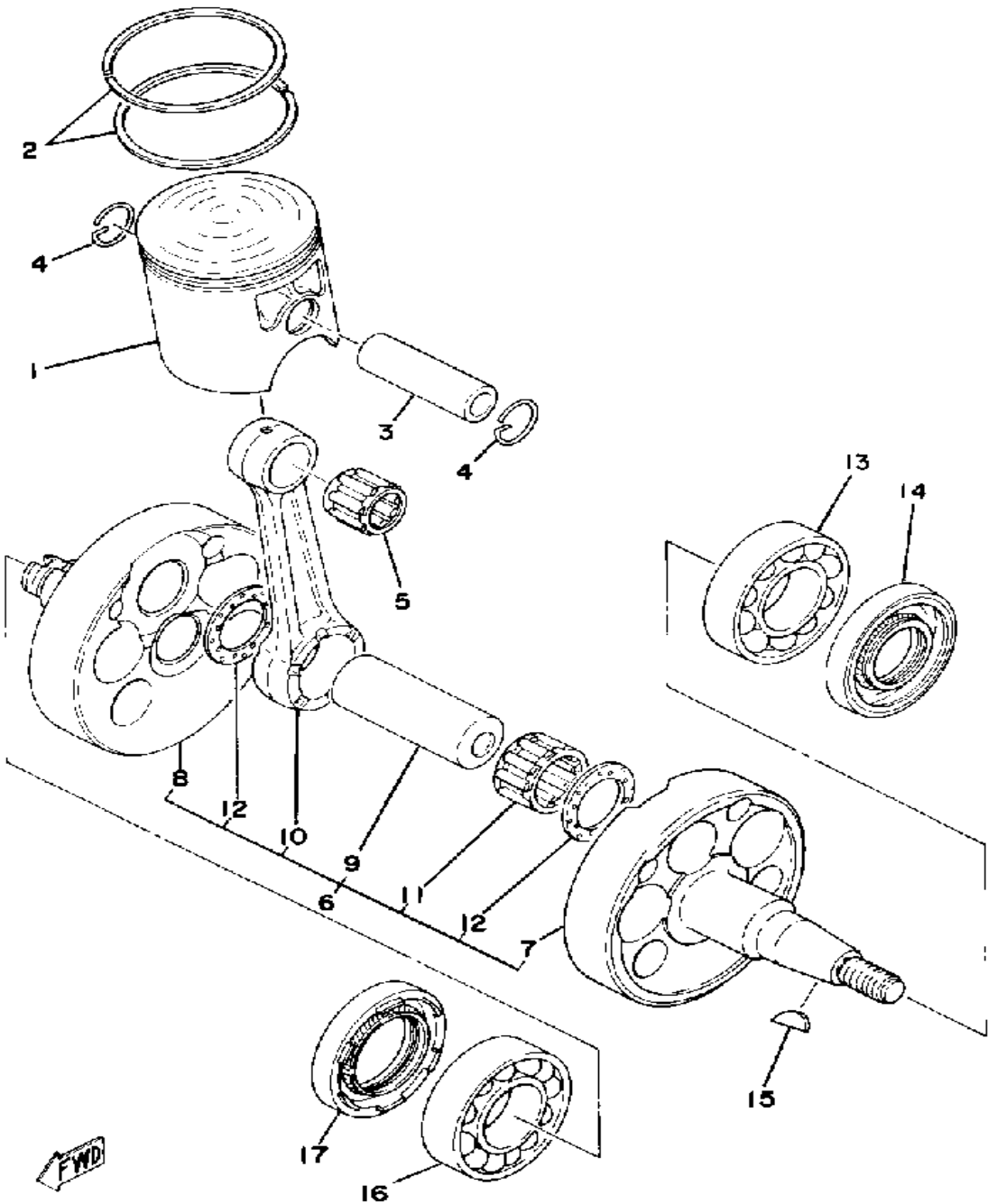
Oiling System	Premix (32:1 with Yamalube R)
Lubricant:	Temp above 5°C (40°F) Yamalube R*
	Below 15°C (60°F) Yamalube R*

CRANKCASE COVER

Ref. No.	Part Number	Description	Qty	Remarks
1	2X7-15411-00-00	COVER, CRANKCASE L	1	
2	2X7-15451-00-00	GASKET, CRCS COVER	1	
3	98516-06030-00	SCREW, PAN HEAD	5	
4	2K7-15421-00-00	COVER, CRANKCASE R	1	
5	98506-06025-00	SCREW, PAN HEAD	1	
6	2K7-15431-01-00	COVER, CRANKCASE 3	1	
7	2K7-15462-00-00	GASKET, CRCS CVR 3	1	
8	98506-06025-00	SCREW, PAN HEAD	7	
9	1G8-15362-00-00	PLUG, OIL LEVEL	1	
10	93210-14104-00	O-RING	1	
11	98506-06008-00	SCREW, PAN HEAD (92506-06008-00)	1	
12	90430-06016-00	GASKET	1	

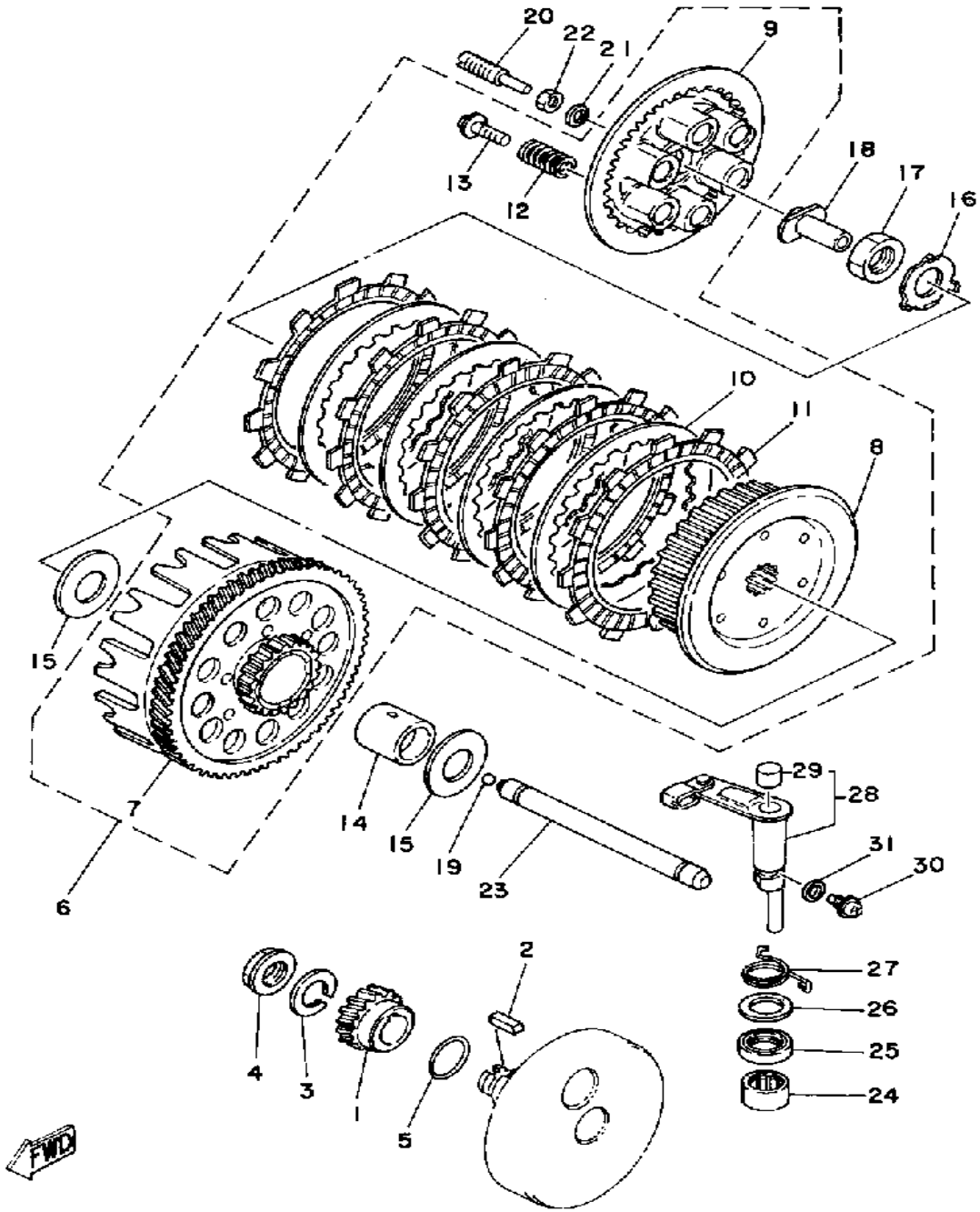


CRANKSHAFT-PISTON



Ref. No.	Part Number	Description	Qty	Remarks
1	(2X7-11631-00-96)	PISTON STD	1	
	2X7-11635-01-00	PISTON 1 O/S 0.5	1	ALTERNATE PARTS
	2X7-11636-01-00	PISTON 2 O/S 0.0	1	ALTERNATE PARTS
	2X7-11637-01-00	PISTON 3 O/S 0.5	1	ALTERNATE PARTS
	2X7-11638-01-00	PISTON 4 O/S 1.0	1	ALTERNATE PARTS
2	1W5-11610-00-00	PISTON RINGSET STD (2X7-11610-00)	1	
	1W5-11610-10-00	PISTON RINGSET 1ST (2X7-11610-10)	1	ALTERNATE PARTS
	1W5-11610-20-00	PISTON RINGSET 2ND (2X7-11610-20)	1	ALTERNATE PARTS
	1W5-11610-30-00	PISTON RINGSET 3RD (2X7-11610-30)	1	ALTERNATE PARTS
	1W5-11610-40-00	PISTON RINGSET 4TH (2X7-11610-40)	1	ALTERNATE PARTS
3	214-11633-00-00	PIN, PISTON	1	
4	93450-19052-00	CIRCLIP	2	
5	93310-218A6-00	BEARING	1	
6	(2X7-11400-00-00)	CRANKSHAFT ASSEMBLY	1	
7	(2X7-11412-00-00)	CRANK 1	1	
8	(1W3-11422-00-00)	CRANK 2	1	
9	2X4-11681-00-00	. PIN, CRANK 1	1	
10	498-11651-00-00	. ROD, CONNECTING	1	
11	93310-425N4-00	. BEARING, CYLINDER.# 0	1	
12	90209-25085-00	. WASHER	2	
13	93306-20627-00	BEARING	1	
14	93103-30150-00	OIL SEAL (38W)	1	
15	90280-16053-00	KEY, WOODRUFF	1	
16	93306-20627-00	BEARING	1	
17	93103-40091-00	OIL SEAL, SW-TYPE	1	

CLUTCH

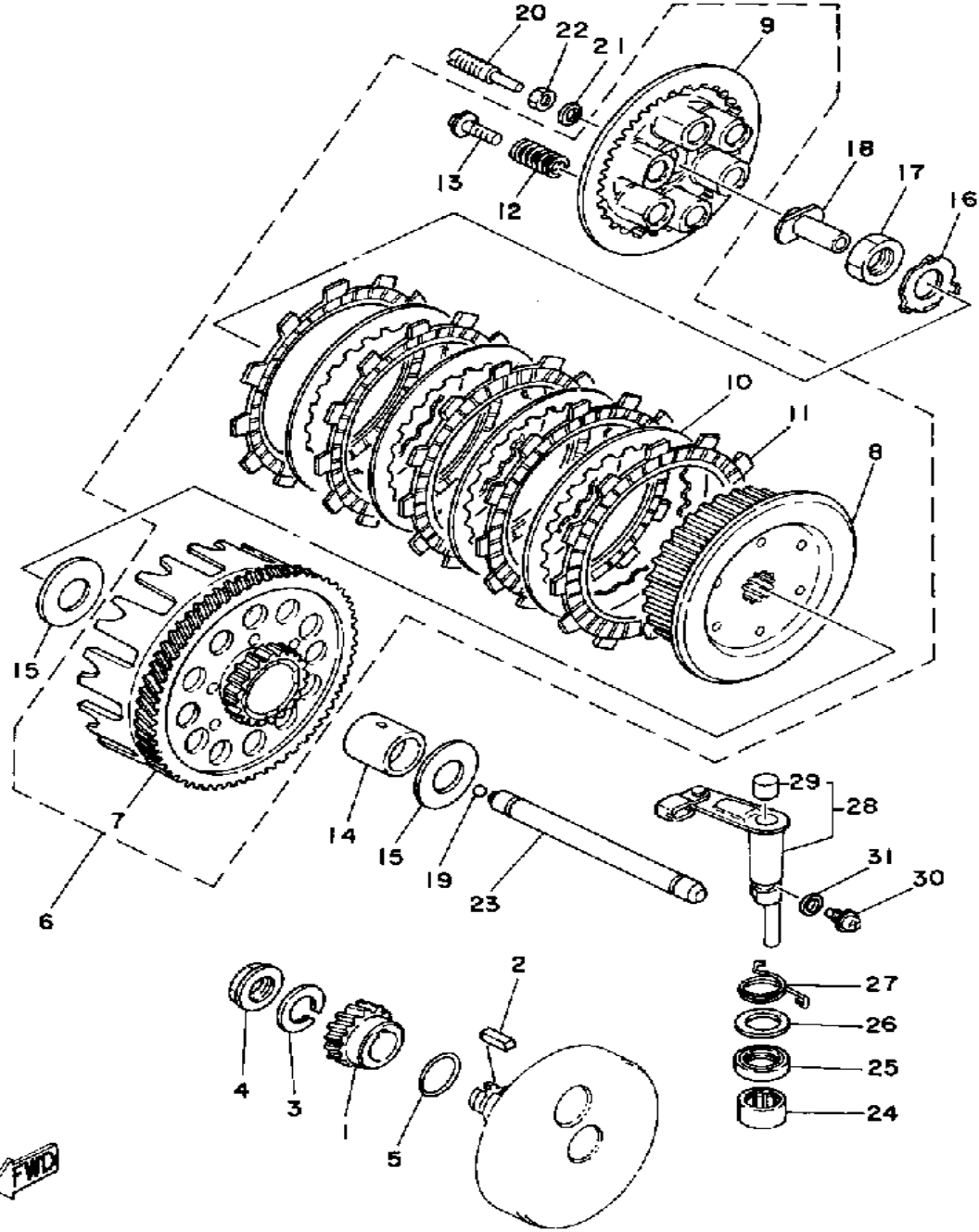


Ref. No.	Part Number	Description	Qty	Remarks
1	(2K7-16111-00-00)	GEAR, PRI DRIVE	1	
2	90282-07019-00	KEY, STRAIGHT	1	
3	92901-18100-00	WASHER, SPRING	1	
4	90179-18172-00	NUT	1	
5	93210-29282-00	O-RING	1	
6	2X4-16301-00-00	CLUTCH ASSEMBLY	1	
7	2K7-16150-00-00	. PRI DRVN GEAR	1	
8	2K7-16371-00-00	. BOSS, CLUTCH	1	
9	2K7-16351-00-00	. PLATE, PRESSURE 1	1	
10	168-16324-00-00	. PLATE, CLUTCH 1	4	
11	4H7-16321-01-00	. PLATE, FRICTION	5	
12	90501-24408-00	. SPRING, COMPRESSION	6	
13	90159-06016-00	. SCREW, WITH WASHER	6	
14	2K7-16181-00-00	SPACER 1	1	
15	2K7-16154-00-00	PLATE, THRUST 1	2	
16	90215-20125-00	WASHER, LOCK	1	
17	90170-20195-00	NUT, HEXAGON	1	
18	(2K7-16356-00-00)	ROD, PUSH 1	1	
19	93515-32029-00	BALL	1	
20	90149-06123-00	SCREW, SPEC'L SHAPE	1	
21	92995-06100-00	WASHER, SPRING	1	
22	95380-06600-00	NUT	1	
23	2K7-16357-01-00	ROD, PUSH 2	1	
24	93315-21721-00	BEARING, CYLINDER.# 5	1	
25	93102-17004-00	OIL SEAL	1	
26	90201-17327-00	WASHER, PLATE	1	
27	90508-14373-00	SPRING, TORSION	1	
28	2X4-16380-00-00	PUSH LEVER ASSEMBLY	1	
29	214-17481-00-00	. PLUG, BLIND	1	

Clutch Friction Plate Thickness Std ~ Min.	3.0 ~ 2.7mm
Clutch Spring Length Std ~ Min.	34.8 ~ 33.8mm

CONTINUED ON NEXT FRAME ➤

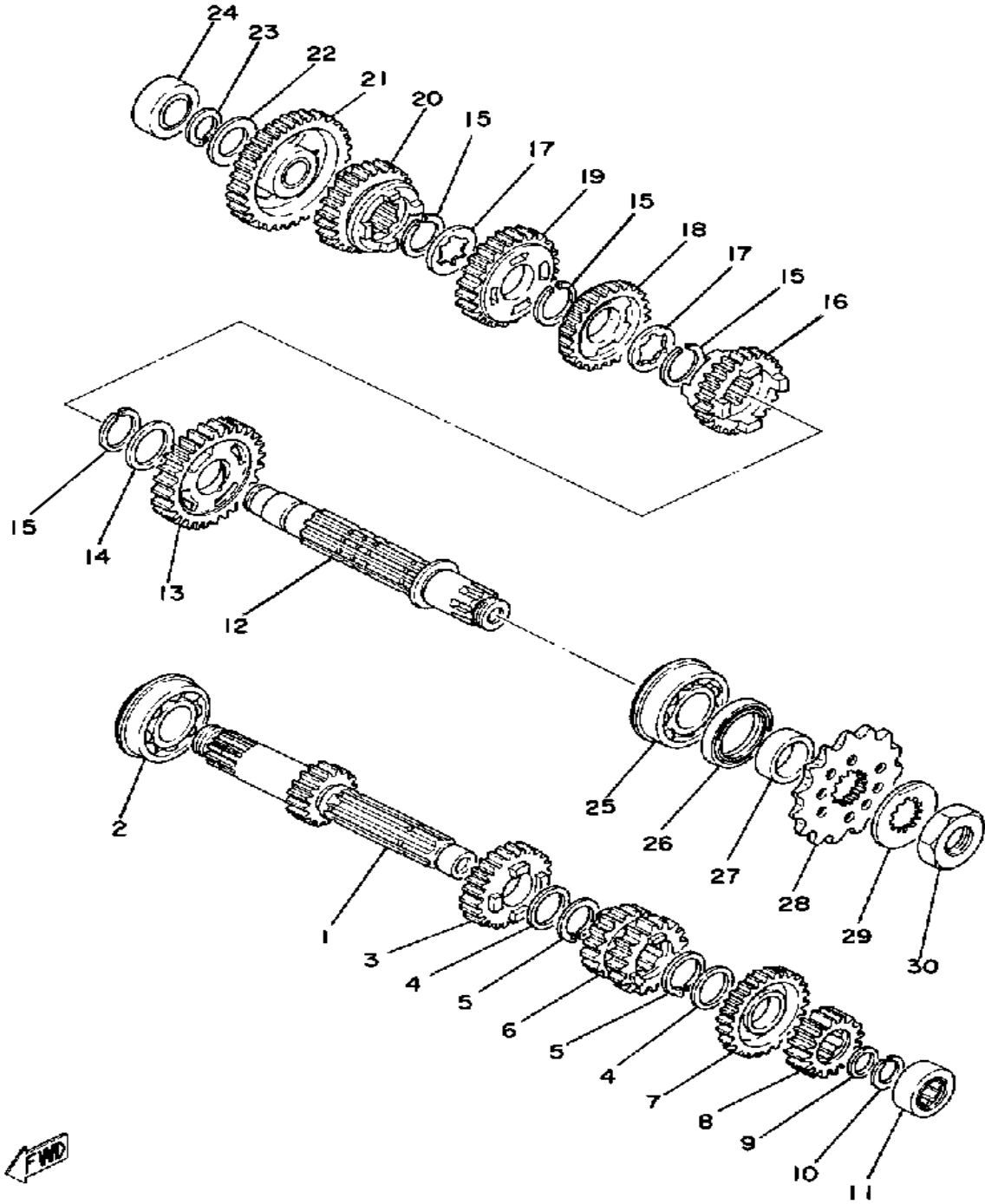
CLUTCH



Ref. No.	Part Number	Description	Qty	Remarks
30	90149-08108-00	SCREW, SPEC'L SHAPE	1	
31	90430-08069-00	GASKET	1	

Clutch Friction Plate Thickness Std ~ Min.	3.0 ~ 2.7mm
Clutch Spring Length Std ~ Min.	34.8 ~ 33.8mm

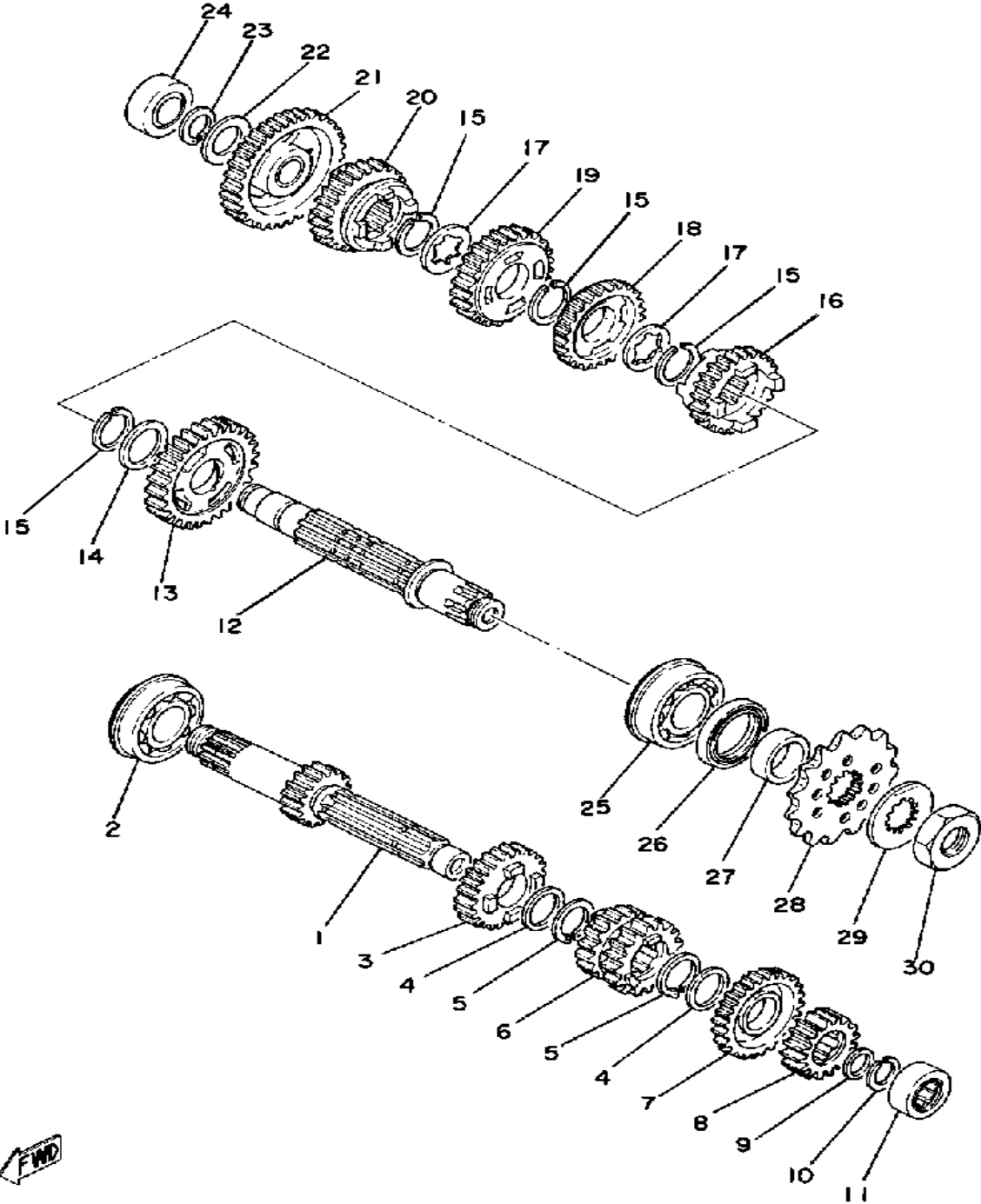
TRANSMISSION



Ref. No.	Part Number	Description	Qty	Remarks
1	(2X7-17411-00-00)	AXLE, MAIN	1	
2	93306-20535-00	BEARING (93306-20515)	1	
3	2X7-17151-00-00	GEAR, 5TH PINION	1	
4	90201-22555-00	WASHER, PLATE	2	
5	93410-22039-00	CIRCLIP	2	
6	(2X7-17131-00-00)	GEAR, 3RD PINION	1	
7	2X7-17161-00-00	GEAR, 6TH PINION	1	
8	(2X7-17121-00-00)	GEAR, 2ND PINION	1	
9	90201-17682-00	WASHER, PLATE	1	
10	93440-17064-00	CIRCLIP	1	
11	93311-41734-00	BEARING, CYLINDER.# 1	1	
12	2K7-17421-00-00	AXLE, DRIVE	1	
13	(2X7-17221-00-00)	GEAR, 2ND WHEEL	1	
14	90201-253K0-00	WASHER, PLATE (T=1.0)	1	
15	93440-25084-00	CIRCLIP	4	
16	2X7-17261-00-00	GEAR, 6TH WHEEL	1	
17	90209-22082-00	WASHER (0.5T)	2	
18	(2X7-17241-00-00)	GEAR, 4TH WHEEL	1	
19	2X7-17231-00-00	GEAR, 3RD WHEEL	1	
20	(2X7-17251-00-00)	GEAR, 5TH WHEEL	1	
21	2X7-17211-00-00	GEAR, 1ST WHEEL	1	
22	90201-20278-00	WASHER, PLATE	1	
23	93410-20038-00	CIRCLIP	1	
24	93311-62035-00	BEARING, CYLINDER.# 1	1	
25	93304-20501-00	BEARING	1	
26	93102-32M07-00	OIL SEAL	1	
27	90387-25663-00	COLLAR	1	
28	(1W4-17461-60-00)	SPROCKET, DRIVE	1	
	93834-13030-00	SPROCKET, DRIVE 13T (23X1746130)	1	STD

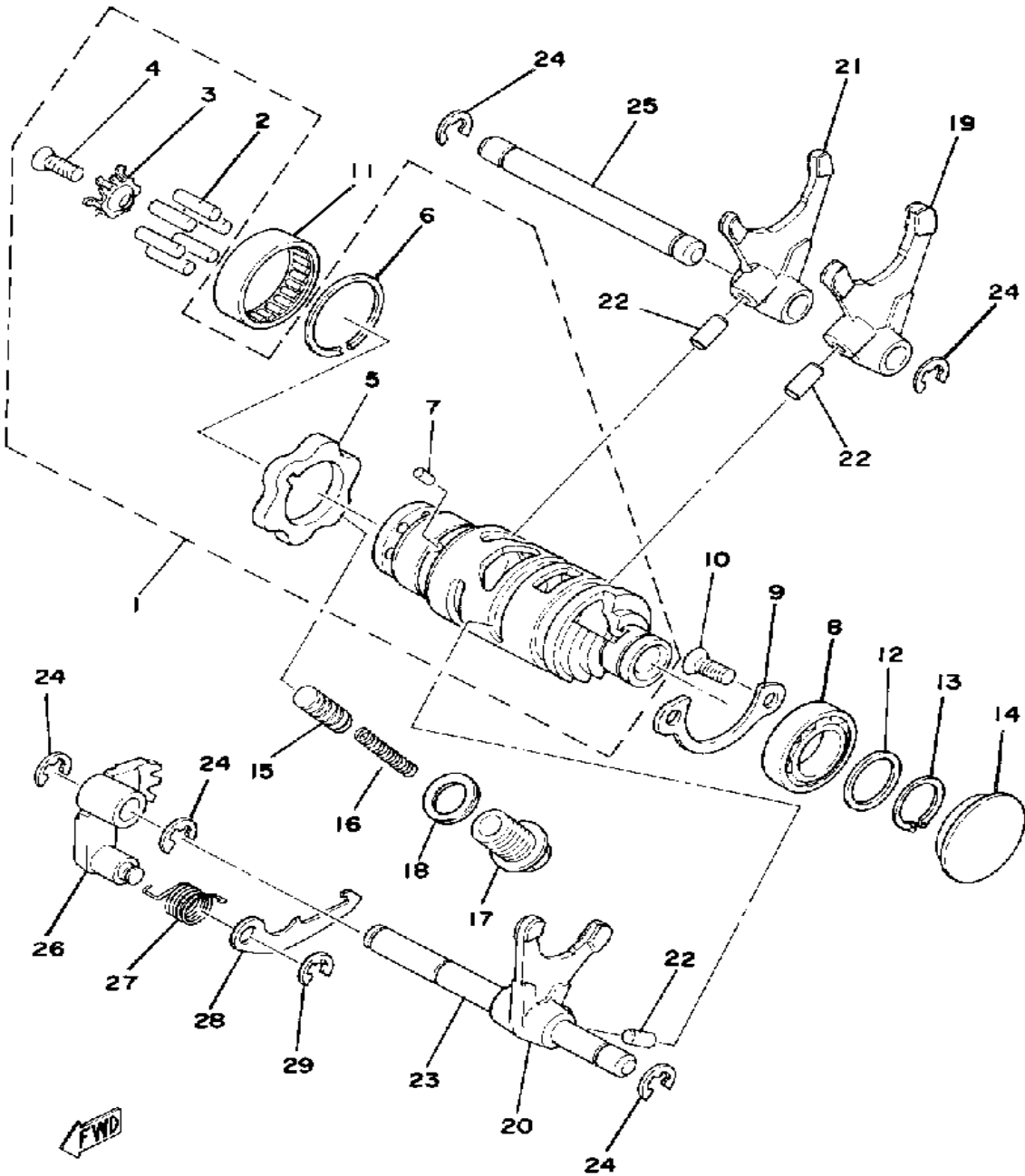
CONTINUED ON NEXT FRAME ➤

TRANSMISSION



Ref. No.	Part Number	Description	Qty	Remarks
28	93834-14051-00	SPROCKET, DRIVE (23X-17461-40)	1	
	93834-15078-00	SPROCKET, DRIVE	1	
29	90215-21239-00	WASHER, LOCK	1	
30	90179-20255-00	NUT	1	

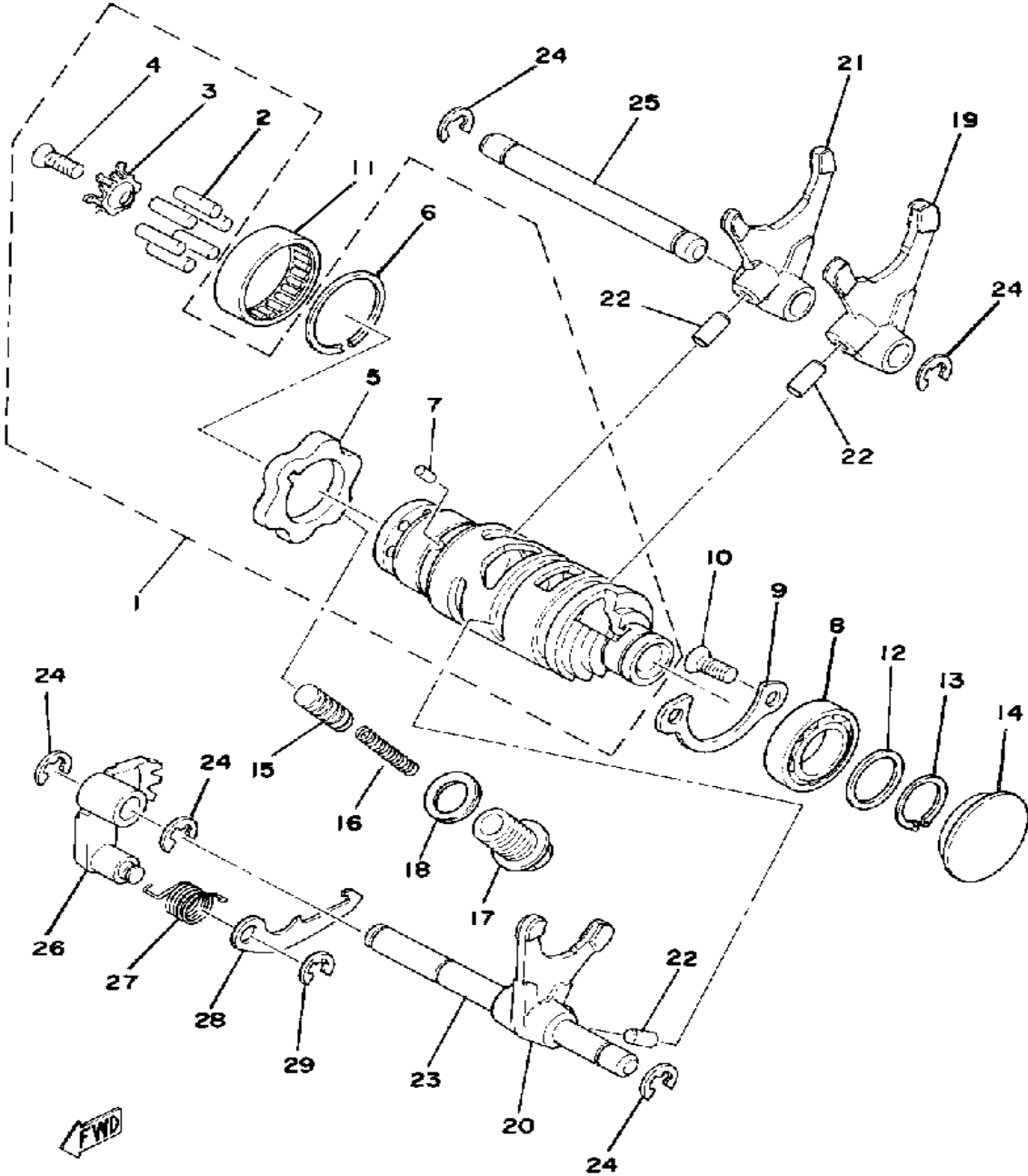
SHIFT CAM-FORK



Ref. No.	Part Number	Description	Qty	Remarks
1	2K7-18540-00-00	SHIFT CAM ASSEMBLY (2K7-18541-00)	1	
2	93604-18100-00	. PIN, DOWEL	6	
3	2K9-18561-00-00	. PLATE, SIDE 1	1	
4	98701-05012-00	. SCREW, FLAT HEAD	1	
5	2K7-18141-00-00	. PLATE, STOPPER	1	
6	93440-32017-00	. CIRCLIP, OUTER (32V SPECIAL)	1	
7	93604-08071-00	. PIN, DOWEL	1	
8	93306-90403-00	BEARING	1	
9	(2K7-15381-00-00)	PLATE, BRNG COVER	1	
10	98603-06012-00	SCREW, OVAL HEAD (92701-06012)	2	
11	93315-23208-00	BEARING	1	
12	90201-20613-00	WASHER, PLATE	1	
13	99009-19400-00	CIRCLIP	1	
14	(90338-32086-00)	PLUG, SPEC'L SHAPE	1	
15	353-18547-00-00	STOPPER, CAM	1	
16	90501-10062-00	SPRING, COMPRESSION	1	
17	90109-14485-00	BOLT	1	
18	214-11198-01-00	GASKET	1	
19	2K7-18511-00-00	FORK, SHIFT 1	1	
20	2K7-18512-00-00	FORK, SHIFT 2	1	
21	(2K7-18513-00-00)	FORK, SHIFT 3	1	
22	93606-14154-00	PIN, DOWEL	3	
23	(2K7-18531-00-00)	BAR, SHIF FRK GDE 1	1	
24	99001-08600-00	CIRCLIP	5	
25	2K7-18535-01-00	BAR, SHIF FRK GDE 2	1	
26	2K7-18122-01-00	LEVER, SHIFT 2 (2K7-18122-00)	1	
27	(90508-10386-00)	SPRING, TORSION	1	

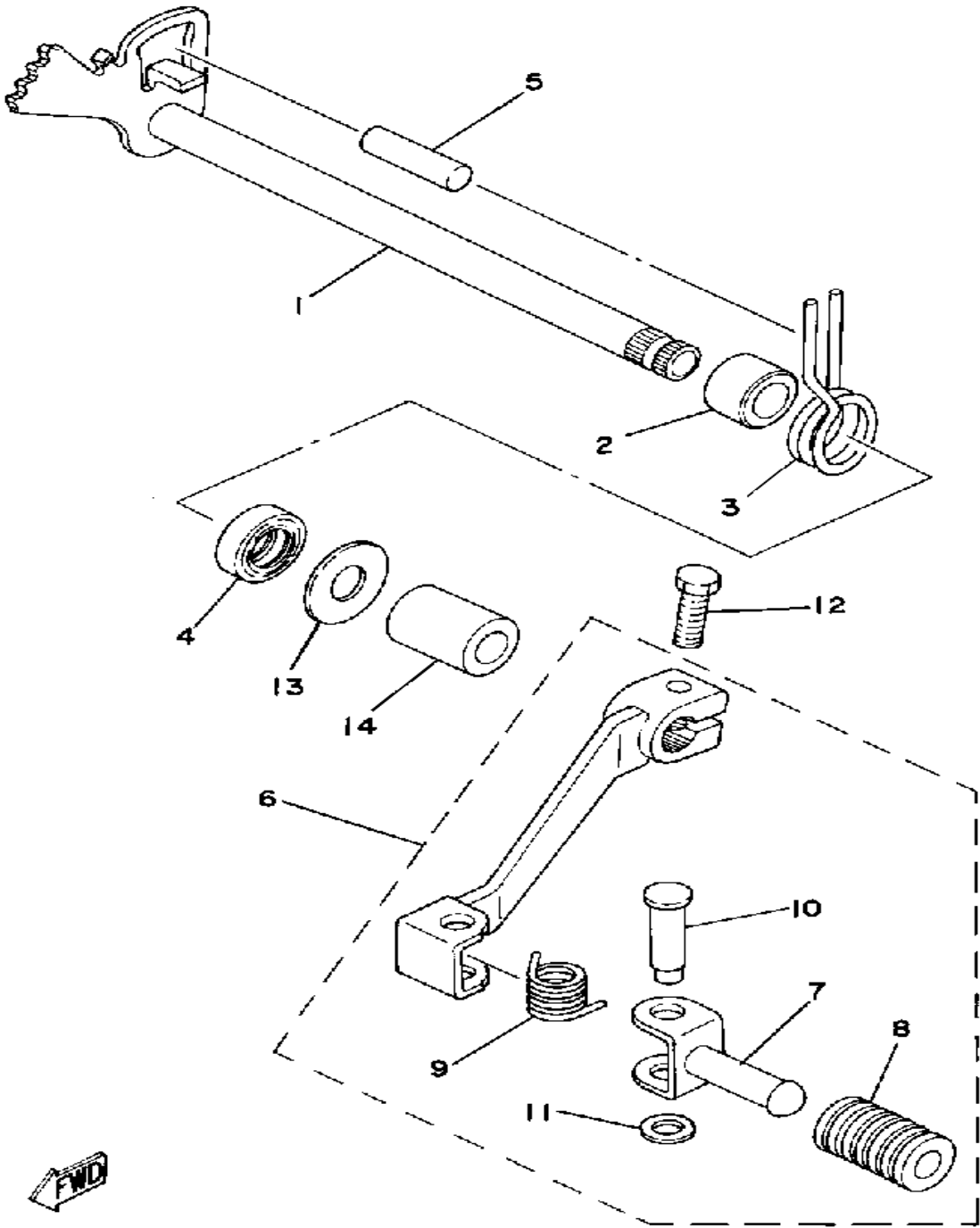
CONTINUED ON NEXT FRAME ►

SHIFT CAM-FORK



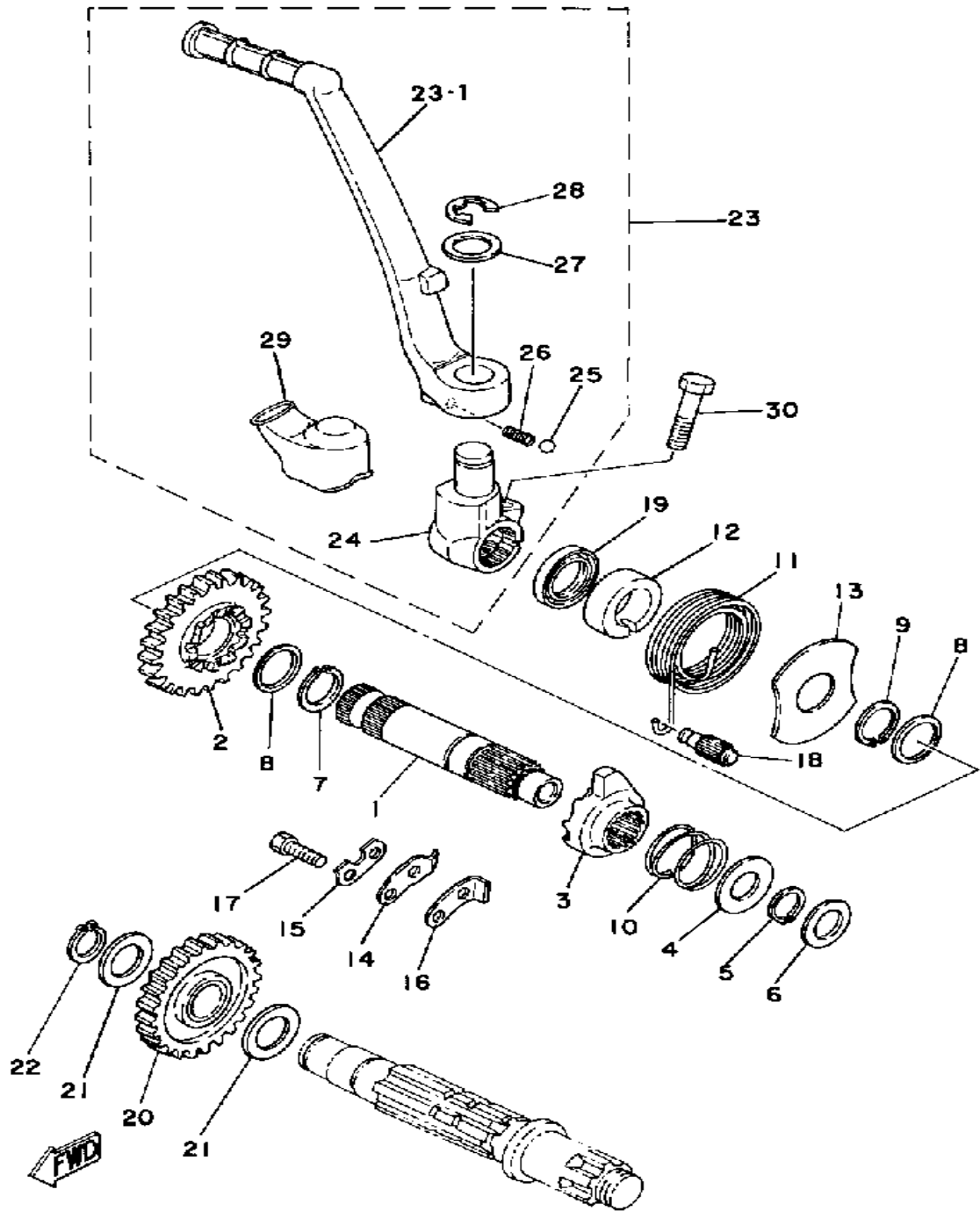
Ref. No.	Part Number	Description	Qty	Remarks
28	2K7-18151-00-00	LEVER, SHIFT 3	1	
29	99080-07600-00	CIRCLIP (E)	1	

SHIFT SHAFT-PEDAL



Ref. No.	Part Number	Description	Qty	Remarks
1	2K7-18101-00-00	SHIFT SHAFT ASSEMBLY 1	1	
2	90560-12171-00	SPACER	1	
3	90508-32374-00	SPRING, TORSION	1	
4	93102-12321-00	OIL SEAL, SD-TYPE	1	
5	93608-30152-00	PIN, DOWEL	1	
6	2HF-18110-01-00	SHIFT PEDAL ASSEMBLY	1	
7	3R8-18162-00-00	. PEDAL, SHIFT	1	
8	1W6-18113-00-00	. COVER, SHIFT PEDAL	1	
9	90508-20415-00	. SPRING, TORSION	1	
10	90243-08019-00	. PIN (90243-08017)	1	
11	90201-06042-00	. WASHER, PLATE	1	
12	97011-06020-00	BOLT	1	
13	90201-12588-00	WASHER, PLATE	1	
14	90560-12191-00	SPACER	1	

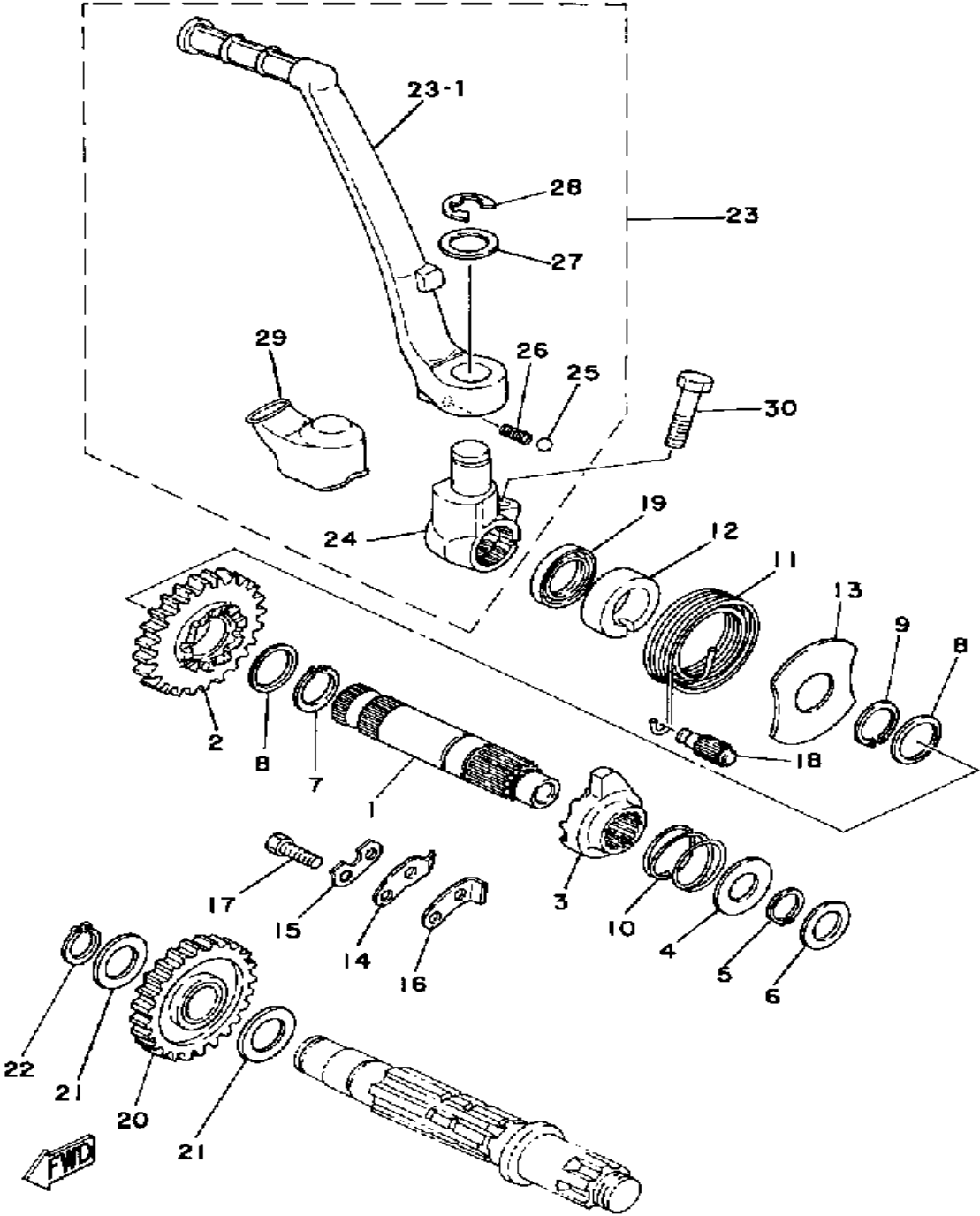
KICK STARTER



Ref. No.	Part Number	Description	Qty	Remarks
1	(2K7-15661-01-00)	AXLE, KICK	1	
2	(2K7-15641-01-00)	GEAR, KICK	1	
3	2K7-15671-01-00	WHEEL, RATCHET	1	
4	90201-155K6-00	WASHER, PLATE	1	
5	99009-15400-00	CIRCLIP	1	
6	132-15644-00-00	SHIM	1	
7	93410-20038-00	CIRCLIP	1	
8	90201-20685-00	WASHER, PLATE (0.5T)	2	
9	99009-20400-00	CIRCLIP	1	
10	90501-16107-00	SPRING, COMPRESSION	1	
11	90508-32061-00	SPRING, TORSION (291-15665-00)	1	
12	3Y6-15664-00-00	GUIDE, SPRING	1	
13	2K7-15676-00-00	COVER, SPRING	1	
14	2NX-15674-00-00	GUIDE, RATCHET WHEEL	1	
15	214-15686-00-00	WASHER, LOCK	1	
16	2NX-15668-00-00	STOPPER	1	
17	97313-06016-00	BOLT, HEXAGON	2	
18	248-15668-00-00	STOPPER	1	
19	93102-20309-00	SEAL, OIL	1	
20	3R4-15651-00-00	GEAR, KICK IDLE	1	
21	90201-17545-00	WASHER, PLATE	2	
22	99009-17400-00	CIRCLIP	1	
23	(2K7-15620-00-00)	KICK CRANK ASSEMBLY	1	YAMAHA BLACK
24	2K7-15621-00-00	. BOSS, KICK CRANK	1	
25	93507-32031-00	. BALL	1	
26	90501-12081-00	. SPRING, COMPRESSION	1	
27	90201-15234-00	. WASHER, PLATE	1	
28	99006-10600-00	. CIRCLIP	1	

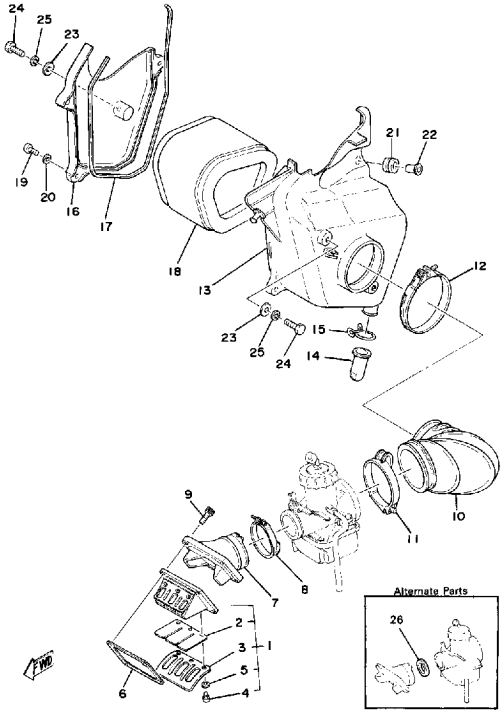
CONTINUED ON NEXT FRAME ►

KICK STARTER



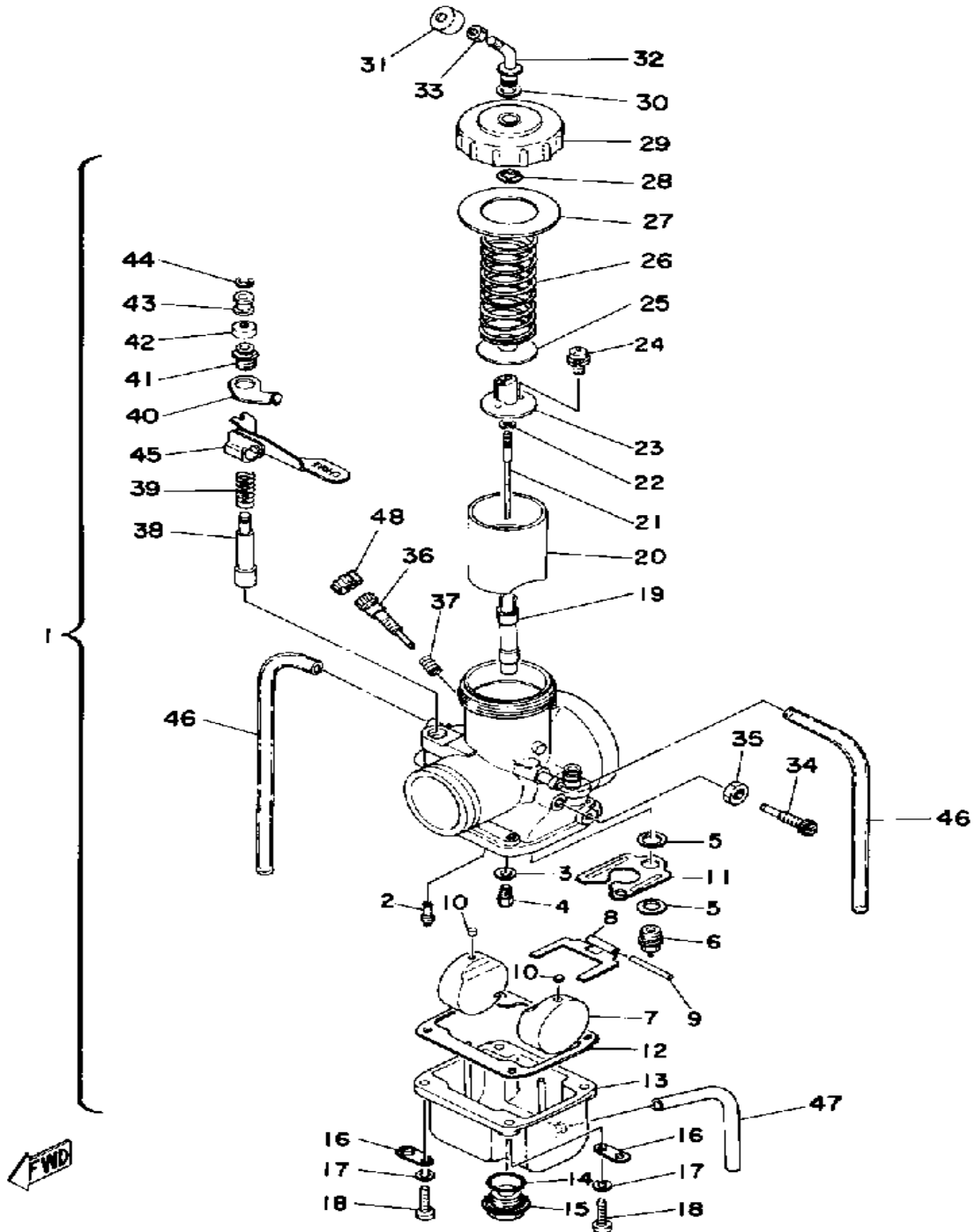
Ref. No.	Part Number	Description	Qty	Remarks
29	2K7-15618-00-00	. COVER, KICK LEVER	1	
30	97313-08030-00	BOLT, HEXAGON	1	
23-1	2K7-15611-00-00	. CRANK, KICK (2K7-15611-00-33)	1	

INTAKE



Ref. No.	Part Number	Description	Qty	Remarks
1	2K7-13610-00-00	REED VALVE ASSEMBLY	1	
2	2K7-13613-00-00	. REED, VALVE	2	
3	(2K7-13616-00-00)	STOPPER, REED VALVE	2	
4	98580-03008-00	. SCREW, PAN HEAD	6	
5	92990-03100-00	. WASHER, SPRING (92901-03100)	6	
6	80L-13621-01-00	GASKET, VALVE SEAT	1	
7	(3R8-13565-00-00)	JOINT, CARBURETOR	1	
8	90460-51109-00	CLAMP, HOSE	1	
9	91316-06020-00	BOLT, SOCKET HEAD	4	
10	2K7-14453-00-00	JOINT, AIR CLNR 1	1	
11	90460-68231-00	CLAMP, HOSE	1	
12	90460-85277-00	CLAMP, HOSE	1	
13	(2K7-14411-01-00)	CASE, AIR CLEANER 1	1	
14	1W4-14457-00-00	SEAL	1	
15	90467-20030-00	CLIP	1	
16	(3R7-14412-00-00)	CAP, CLEANER CASE 1	1	
17	50M-14462-01-00	SEAL	1	
18	2K7-14450-00-00	ELEMENT ASSEMBLY	1	
19	98503-06014-00	SCREW, PAN HEAD (92502-06016)	3	
20	92901-06600-00	WASHER	3	
21	90480-14023-00	GROMMET	3	
22	90387-07391-00	COLLAR	3	
23	90201-06067-00	WASHER, PLATE	3	
24	97011-06025-00	BOLT (97001-06025)	3	
25	92995-06100-00	WASHER, SPRING	3	
26	(1W6-14477-00-00)	PLATE	1	ALTERNATE PARTS

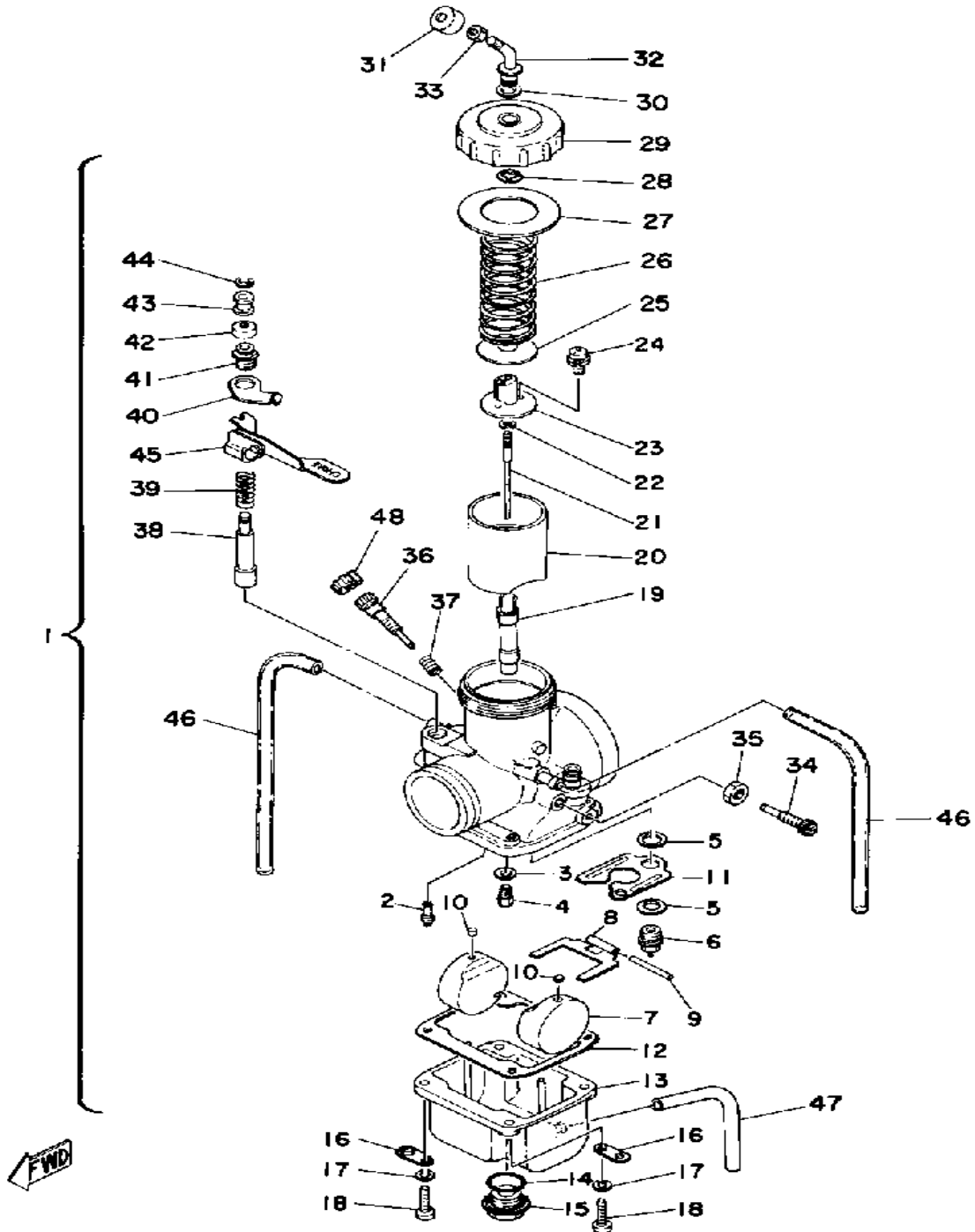
CARBURETOR



Ref. No.	Part Number	Description	Qty	Remarks
1	(3R7-14101-00-00)	CARBURETOR ASSEMBLY 1	1	
2	193-14142-70-00	. JET, PILOT (# 70)	1	
3	(2X7-14194-00-00)	RING	1	
4	137-14143-68-00	. JET, MAIN (#340)	1	
	137-14143-70-00	. JET, MAIN (#350)	1	STD
	137-14143-72-00	. JET, MAIN (#360)	1	
5	239-14195-00-00	. WASHER, NEEDLE VALVE	2	
6	24X-14107-30-00	. NEEDLE VALVE SET (239-14190-30) (3.0)	1	
7	214-14185-00-00	. FLOAT	2	
8	363-14187-00-00	. ARM, FLOAT	2	
9	537-14186-00-00	. PIN, FLOAT	1	
10	214-14118-00-00	. CAP	2	
11	510-14146-00-00	. PLATE	1	
12	363-14184-00-00	. GASKET, FLOAT CHMBR	1	
13	(510-14181-16-00)	BODY, FLOAT CHMBR 1	1	
14	558-14147-00-00	. O-RING	1	
15	500-14115-00-00	. PLUG, SCREW	1	
16	313-14146-00-00	. PLATE	2	
17	92990-05100-00	. WASHER, SPRING	4	
18	98580-05016-00	. SCREW, PAN HEAD	4	
19	239-14141-44-00	. NOZZLE, MAIN P 4	1	
20	(2X7-14112-20-00)	VALVE, THROTTLE 2 0	1	
21	239-14116-15-00	. NEEDLE (6F15-3)	1	
22	164-14137-00-00	. CLIP	1	
23	509-14274-00-00	. CONNECTOR	1	
24	98580-03008-00	. SCREW, PAN HEAD	2	
25	509-14136-00-00	. SEAT, SPRING	1	
26	363-14131-00-00	. SPRING, THROTTLE VALVE	1	

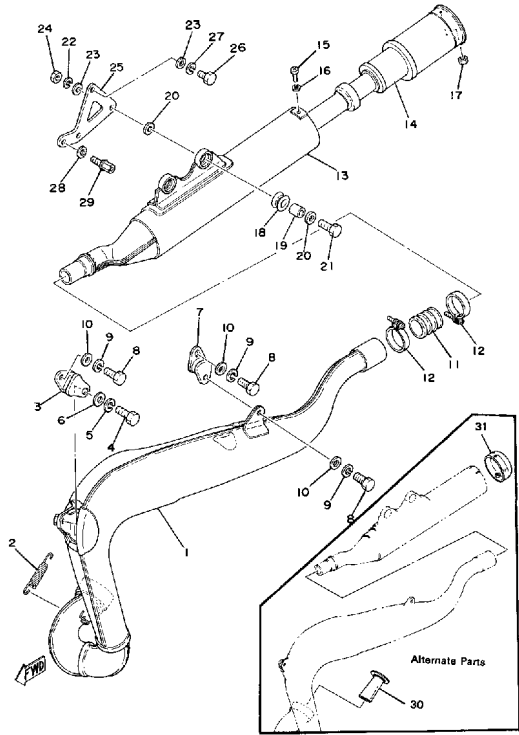
CONTINUED ON NEXT FRAME ►

CARBURETOR



Ref. No.	Part Number	Description	Qty	Remarks
27	363-14126-00-00	. GASKET	1	
28	363-14137-00-00	. CLIP	1	
29	1W3-14158-00-00	. TOP, MIXING CHAMBER	1	
30	509-14198-00-00	. GASKET	1	
31	1M1-14169-00-00	. CAP	1	
32	23X-14106-00-00	. CABLE ADJUST SCREW SET	1	
33	127-14161-00-00	. NUT, CABLE ADJUSTING ...	1	
34	23X-14103-00-00	. THROTTLE SCREW SET	1	
35	802-14161-00-00	. NUT, CABLE ADJUSTING ...	1	
36	26A-14104-00-00	. AIR SCREW SET (1W3-14123-00)	1	
37	137-14133-00-00	. SPRING, THRTL STOP	1	
38	1W1-14171-00-00	. PLUNGER, STARTER	1	
39	256-14135-00-00	. SPRING, PLUNGER	1	
40	(1W3-14178-00-00)	PLATE, STARTER LVR	1	
41	802-14174-00-00	. CAP, PLUNGER	1	
42	(2X7-14173-00-00)	COVER, PLUNGER CAP	1	
43	737-14241-00-00	. BUSH	1	
44	737-14137-00-00	. CLIP	1	
45	1W3-14175-00-00	. COVER, PLUNGER CAP (1W3-14173-00-00)	1	
46	310-14197-00-00	. PIPE, AIRVENT	2	
47	3Y3-14196-00-00	. PIPE, OVERFLOW	1	
48	1W1-14968-00-00	. CAP	1	

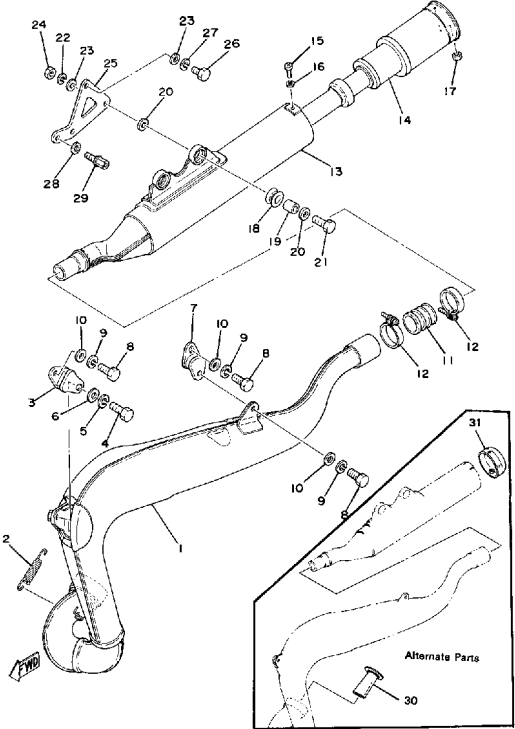
EXHAUST



Ref. No.	Part Number	Description	Qty	Remarks
1	(3R7-14610-00-00)	EXHAUST PIPE ASSEMBLY L	1	
2	90507-20030-00	SPRING, TENSION	2	
3	483-14781-02-00	STAY, MUFFLER 2	1	
4	97313-08020-00	BOLT, HEXAGON	1	
5	92990-08100-00	WASHER	1	
6	92990-08600-00	WASHER, PLATE	1	
7	565-14771-00-00	STAY, MUFFLER 1	1	
8	97313-06016-00	BOLT, HEXAGON	3	
9	92995-06100-00	WASHER, SPRING	3	
10	92901-06600-00	WASHER	3	
11	1M1-14714-00-00	GASKET, MUFFLER	1	
12	90460-43053-00	CLAMP, HOSE	2	
13	(2X7-14753-00-00)	SILENCER, EXHAUST	1	
14	2X7-14752-00-00	PIPE, OUTLET	1	
15	98580-06012-00	SCREW, PAN HEAD	2	
16	92995-06100-00	WASHER, SPRING	2	
17	95380-06600-00	NUT	2	
18	565-14747-00-00	DAMPER, MUFFLER	2	
19	90387-08258-00	COLLAR	2	
20	90201-085E6-00	WASHER PLATE	4	
21	97313-08035-00	BOLT, HEXAGON	2	
22	92990-08100-00	WASHER	2	
23	92990-08200-00	WASHER, PLAIN	3	
24	95303-08700-00	NUT	2	
25	1W6-14781-00-00	STAY, MUFFLER 2	1	
26	97313-08018-00	BOLT, HEXAGON (97301-08016)	1	
27	92990-08100-00	WASHER	1	
28	92901-08600-00	WASHER	1	
29	90109-08512-00	BOLT	1	

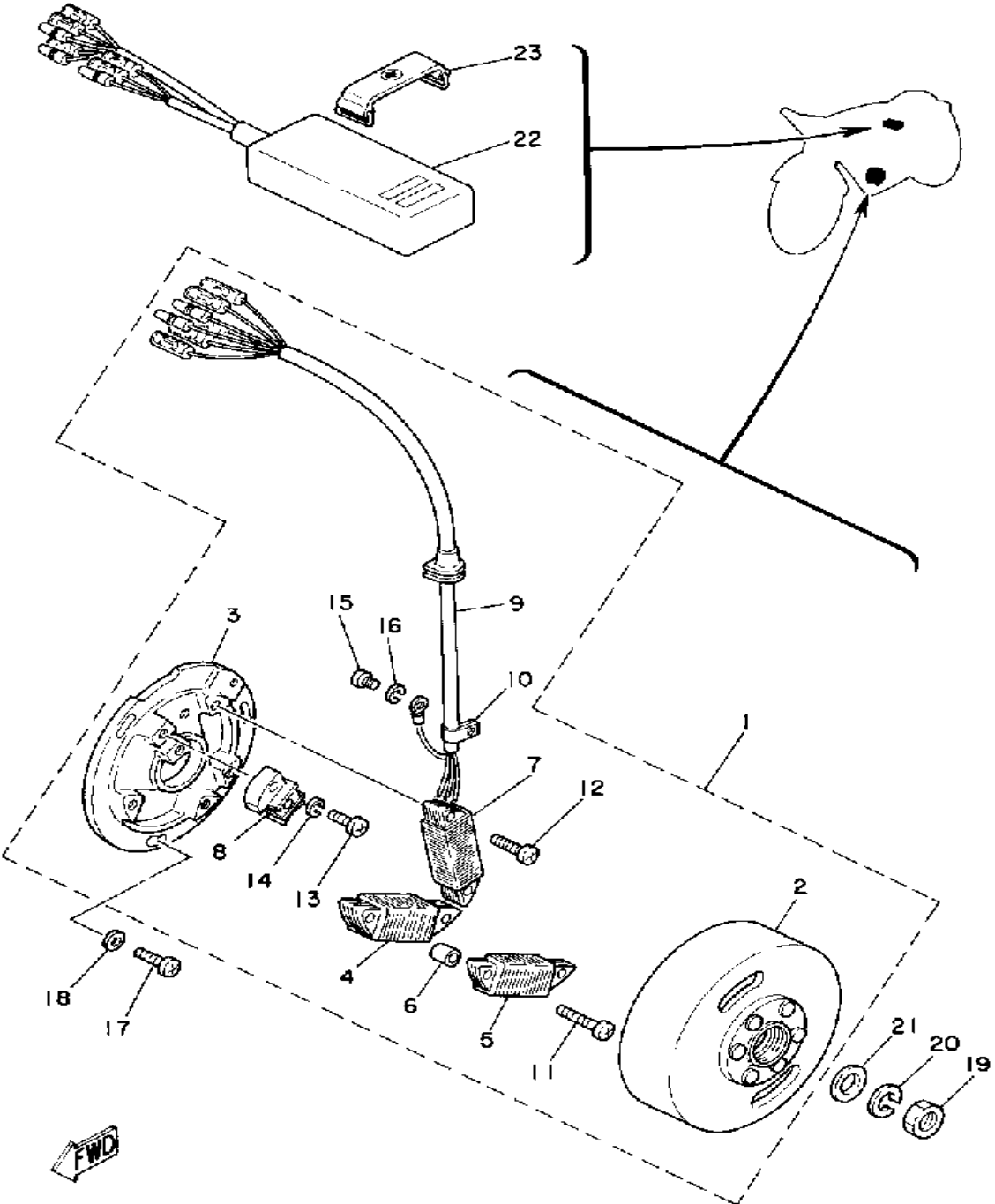
CONTINUED ON NEXT FRAME ➤

EXHAUST



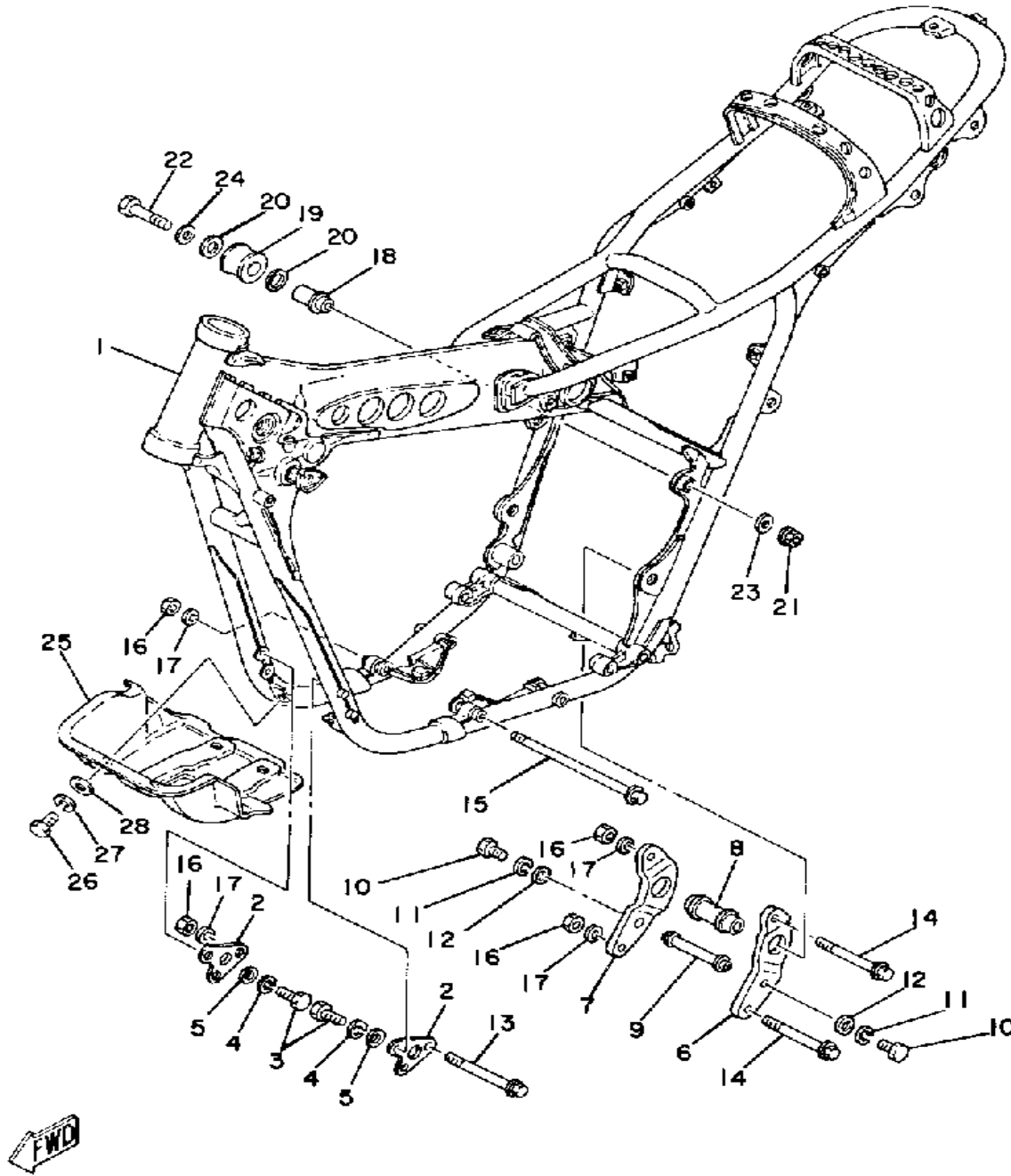
Ref. No.	Part Number	Description	Qty	Remarks
30	(2X7-14634-00-00)	PIPE, CHOKE	1	ALTERNATE PARTS
31	(2X7-14787-00-00)	CAP, SILENCER	1	ALTERNATE PARTS

C - D - I - MAGNETO



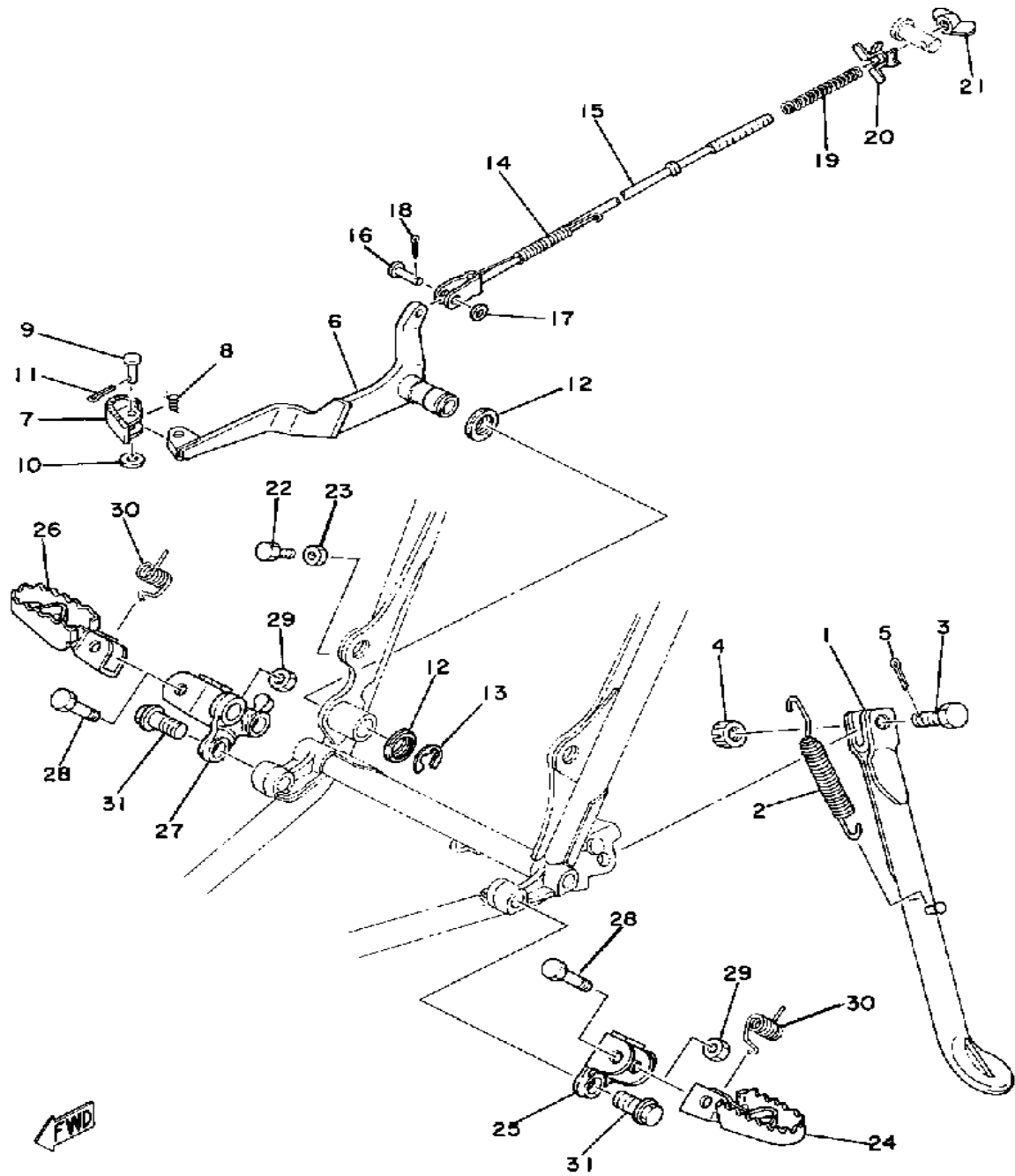
Ref. No.	Part Number	Description	Qty	Remarks
1	(3R7-85500-20-00)	CDI MAGNETO ASSEMBLY ...	1	
2	(1W4-85550-20-00)	ROTOR ASSEMBLY	1	
3	1M2-85509-20-00	. BASE, MAGNETO	1	
4	(3R7-85511-20-00)	COIL SOURCE 1	1	
5	3R7-85512-20-00	. COIL SOURCE 2	1	
6	(3R7-85519-20-00)	SPACER	2	
7	(3R7-85513-20-00)	COIL, LIGHTING 1	1	
8	(3R7-85580-20-00)	COIL, PULSER	1	
9	(3R7-85515-20-00)	LEAD WIRE ASSEMBLY	1	
10	445-81328-20-00	. CLAMP	1	
11	98501-05030-00	. SCREW, PAN HEAD	2	
12	98503-05025-00	. SCREW, PAN HEAD (98501-05025)	2	
13	98503-04014-00	. SCREW, PAN HEAD	2	
14	92901-04100-00	. WASHER, SPRING	2	
15	98511-04006-00	. SCREW, PAN HEAD (98501-04005)	1	
16	92901-04100-00	. WASHER, SPRING	1	
17	98580-06020-00	SCREW	3	
18	92901-06600-00	WASHER	3	
19	90170-12347-00	NUT, HEXAGON	1	
20	92901-12100-00	WASHER, SPRING	1	
21	90201-12593-00	WASHER, PLATE	1	
22	3R7-85540-20-00	CDI UNIT ASSEMBLY	1	
23	122-82131-00-00	BAND, BATTERY	1	

FRAME



Ref. No.	Part Number	Description	Qty	Remarks
1	(3R8-21110-00-33)	FRAME	1	YAMAHA BLACK
2	2X4-21415-00-00	BRACKET, FRT UPR 1 (2K7-21415-00)	2	
3	97001-08025-00	BOLT (1NV)	4	
4	92990-08100-00	WASHER	4	
5	92901-08600-00	WASHER	4	
6	2K7-21427-00-00	BRACKET, REAR LWR 1	1	
7	(2K7-21428-00-00)	BRACKET, REAR LWR 2	1	
8	(2K7-21459-00-00)	SPACER	1	
9	(2K7-21424-00-00)	BOSS, ENGINE MOUNT	1	
10	97313-08020-00	BOLT, HEXAGON	2	
11	92990-08100-00	WASHER	2	
12	92901-08600-00	WASHER	2	
13	95811-08100-00	BOLT	1	
14	95811-08090-00	BOLT, FLANGE (95822-08090) .	2	
15	95811-08180-00	BOLT, FLANGE	1	
16	90185-08089-00	NUT, SELF-LOCKING	4	
17	92990-08200-00	WASHER, PLAIN	4	
18	2K7-2148A-00-00	SHAFT	1	
19	2K6-22178-00-00	TENSIONER	1	
20	90201-13202-00	WASHER, PLATE	2	
21	95712-08300-00	NUT, LOCK	1	
22	97313-08055-00	BOLT, HEXAGON	1	
23	92901-08600-00	WASHER	1	
24	92990-08200-00	WASHER, PLAIN	1	
25	(2X7-21471-00-00)	PROTECTOR, ENGINE	1	
26	97313-08018-00	BOLT, HEXAGON (97301-08016)	4	
27	92990-08100-00	WASHER	4	
28	92901-08600-00	WASHER	4	

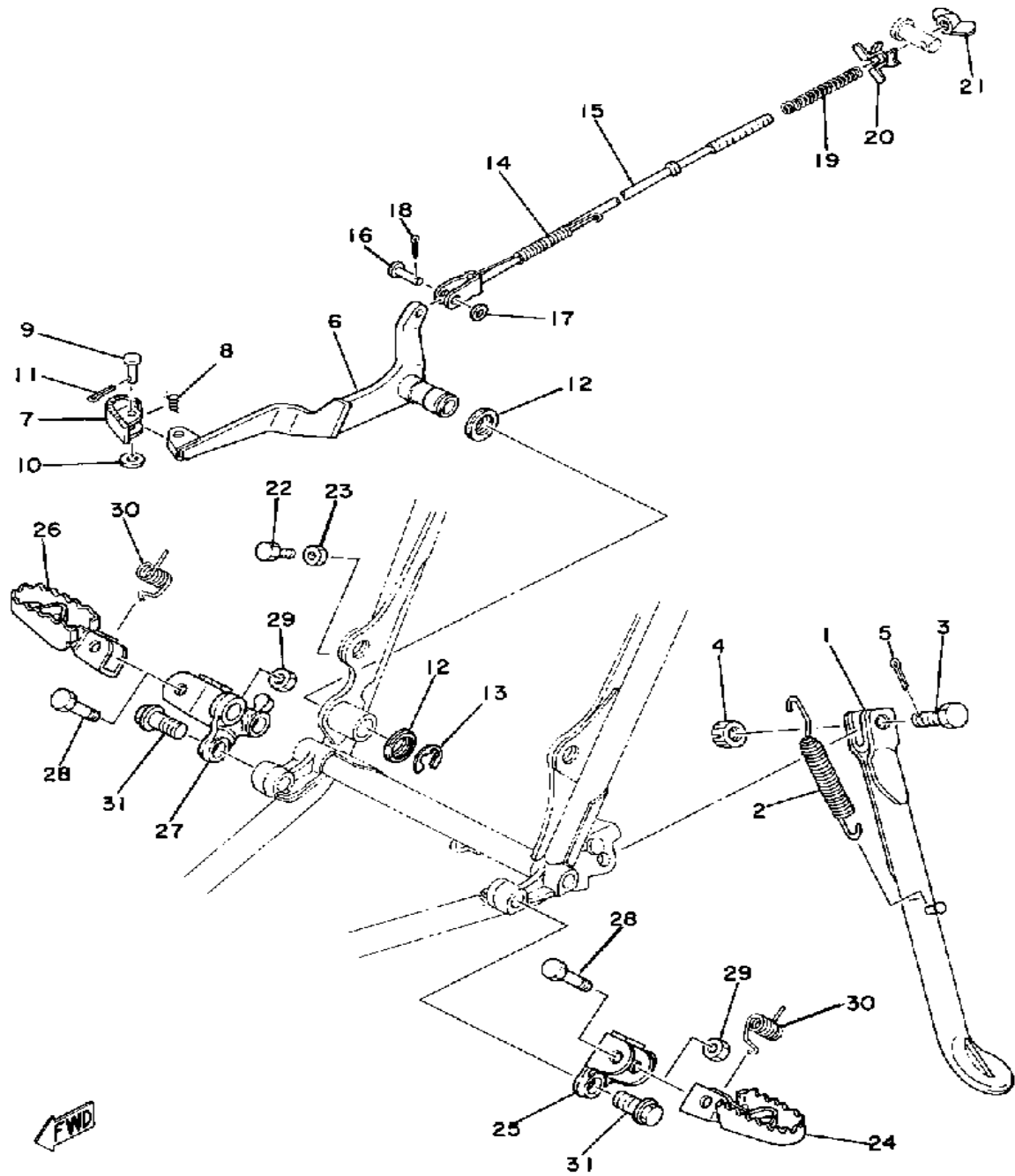
STAND-FOOTREST



Ref. No.	Part Number	Description	Qty	Remarks
1	(2K7-27311-00-00)	STAND, SIDE	1	
2	90507-29008-00	SPRING, TENSION	1	
3	90102-10006-00	BOLT, WITH HOLE (278-27317-00)	1	
4	95303-10900-00	NUT, SLOTTED	1	
5	91490-20025-00	PIN, SPLIT	1	
6	(3R8-27211-00-00)	PEDAL, BRAKE	1	
7	3R8-27242-00-00	PEDAL, BRAKE	1	
8	90508-14429-00	SPRING, TORSION	1	
9	91701-06028-00	PIN, CLEVIS	1	
10	92901-06600-00	WASHER	1	
11	91490-20020-00	PIN, COTTER	1	
12	498-27235-00-00	COVER, DUST	2	
13	99001-15600-00	CIRCLIP, E-TYPE	1	
14	90506-20128-00	SPRING, TENSION	1	
15	2K5-27231-00-00	ROD, BRAKE	1	
16	90240-06103-00	PIN, CLEVIS	1	
17	92990-06200-00	WASHER	1	
18	91490-20020-00	PIN, COTTER	1	
19	90501-10245-00	SPRING, COMPRESSION	1	
20	1W2-27239-00-00	SEAT, SPRING	1	
21	90179-06411-00	NUT	1	
22	97011-06020-00	BOLT	1	
23	95380-06700-00	NUT	1	
24	3R4-27411-00-00	FOOTREST 1	1	YAMAHA BLACK
25	2X4-27412-00-00	BRACKET, FOOTREST 1	1	
26	3R4-27421-00-00	FOOTREST 2	1	YAMAHA BLACK
27	(2X7-27422-00-00)	BRACKET, FOOTREST 2	1	
28	90101-08428-00	BOLT	2	

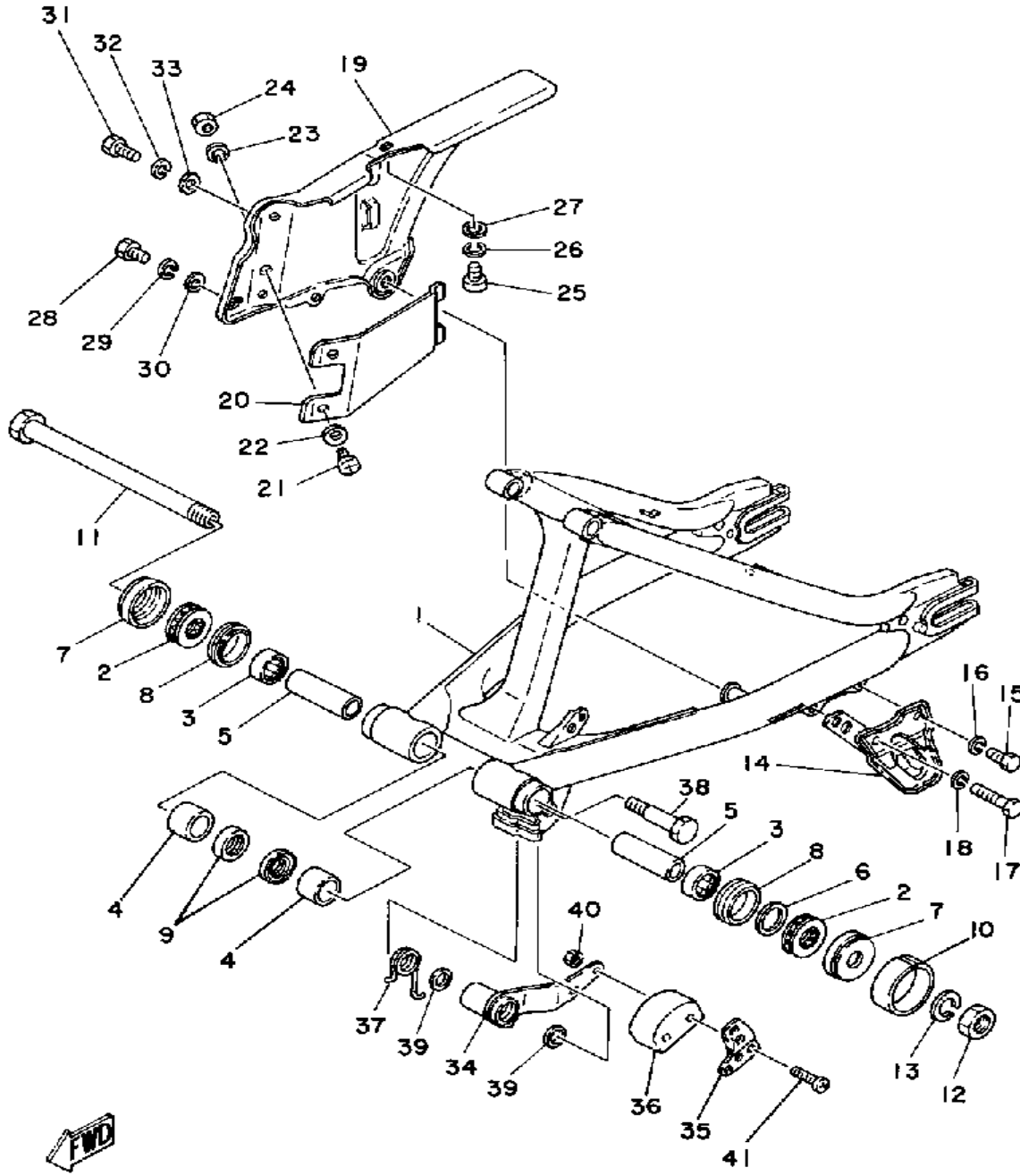
CONTINUED ON NEXT FRAME ►

STAND-FOOTREST



Ref. No.	Part Number	Description	Qty	Remarks
29	95611-08100-00	NUT, U	2	
30	90508-20023-00	SPRING, TORSION	2	
31	90105-12096-00	BOLT, WASHER BASED	4	

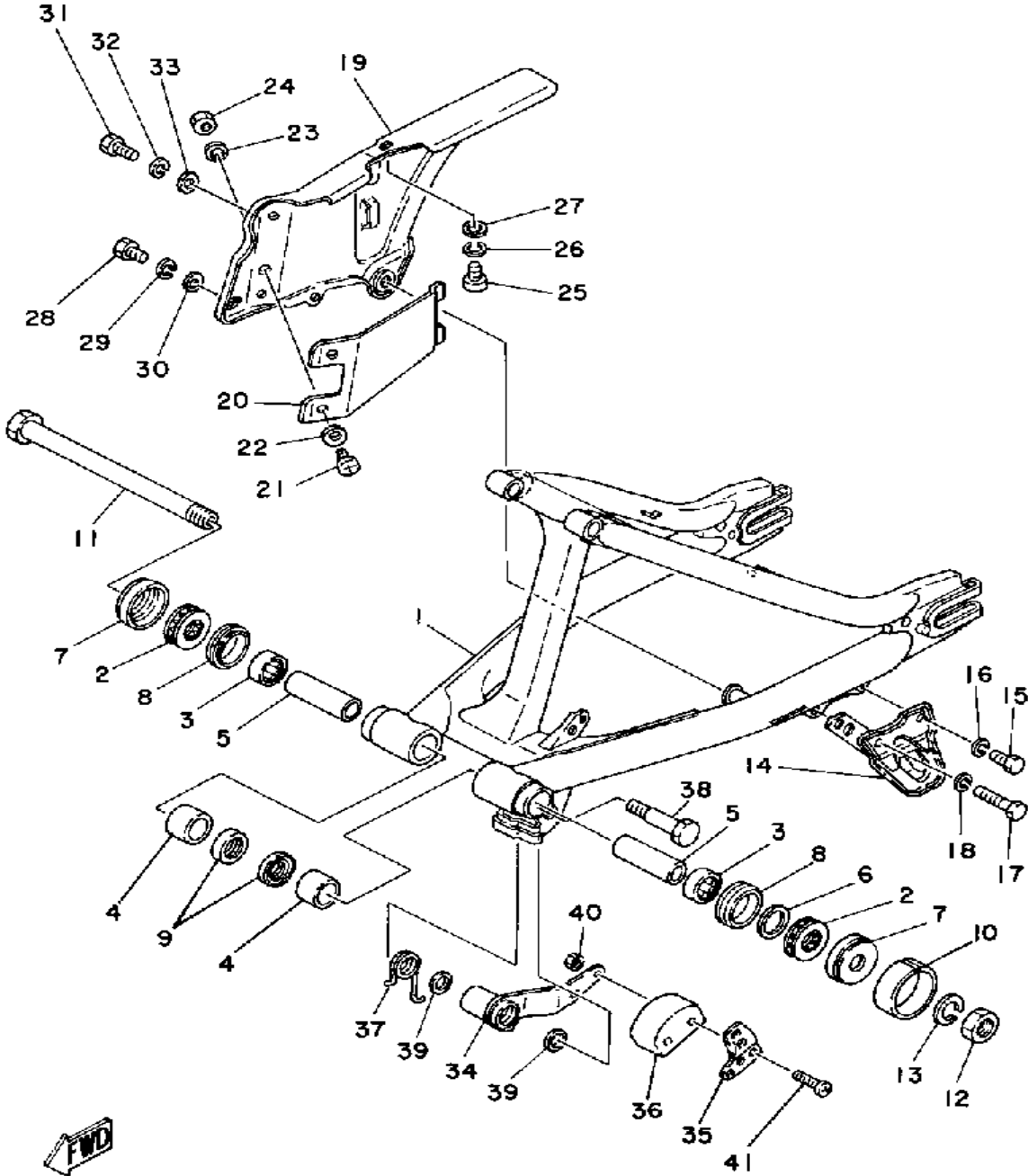
REAR ARM



Ref. No.	Part Number	Description	Qty	Remarks
1	(2X7-22110-01-33)	REAR ARM	1	YAMAHA BLACK
2	93342-22208-00	BEARING, FLAT # 2	2	
3	93317-22214-00	BEARING, CYLINDER.# 7	2	
4	90386-22097-00	BUSH, SPEC'L NYLON	2	
5	90380-16056-00	BUSH, SOLID	2	
6	648-45533-00-03	SHIM	1	
7	3R4-22129-00-00	COVER, THRUST 2	2	
8	93108-35004-00	OIL SEAL (35-41-8)	2	
9	93109-22018-00	OIL SEAL, SDO-TYPE	2	
10	431-22151-03-00	SEAL, GUARD	1	
11	1W4-22141-00-00	SHAFT, PIVOT	1	
12	90170-16111-00	NUT, HEXAGON	1	
13	92901-16100-00	WASHER, SPRING	1	
14	2W6-22153-00-00	GUARD, CHAIN	1	
15	97013-06012-00	BOLT	1	
16	92995-06100-00	WASHER, SPRING	1	
17	97313-06055-00	BOLT, HEXAGON (97322-06055)	1	
18	92995-06100-00	WASHER, SPRING	1	
19	(2X7-22311-00-00)	CASE, CHAIN	1	
20	(1W6-22318-00-00)	GUARD, CHAIN	1	
21	98580-05010-00	SCREW, PAN HEAD	2	
22	92901-05600-00	WASHER, PLATE	2	
23	92990-05200-00	WASHER, PLAIN	2	
24	95601-05100-00	NUT, U	2	
25	98503-06014-00	SCREW, PAN HEAD (92502-06016)	1	
26	92995-06100-00	WASHER, SPRING	1	
27	92901-06600-00	WASHER	1	
28	97301-06014-00	BOLT, HEXAGON	1	

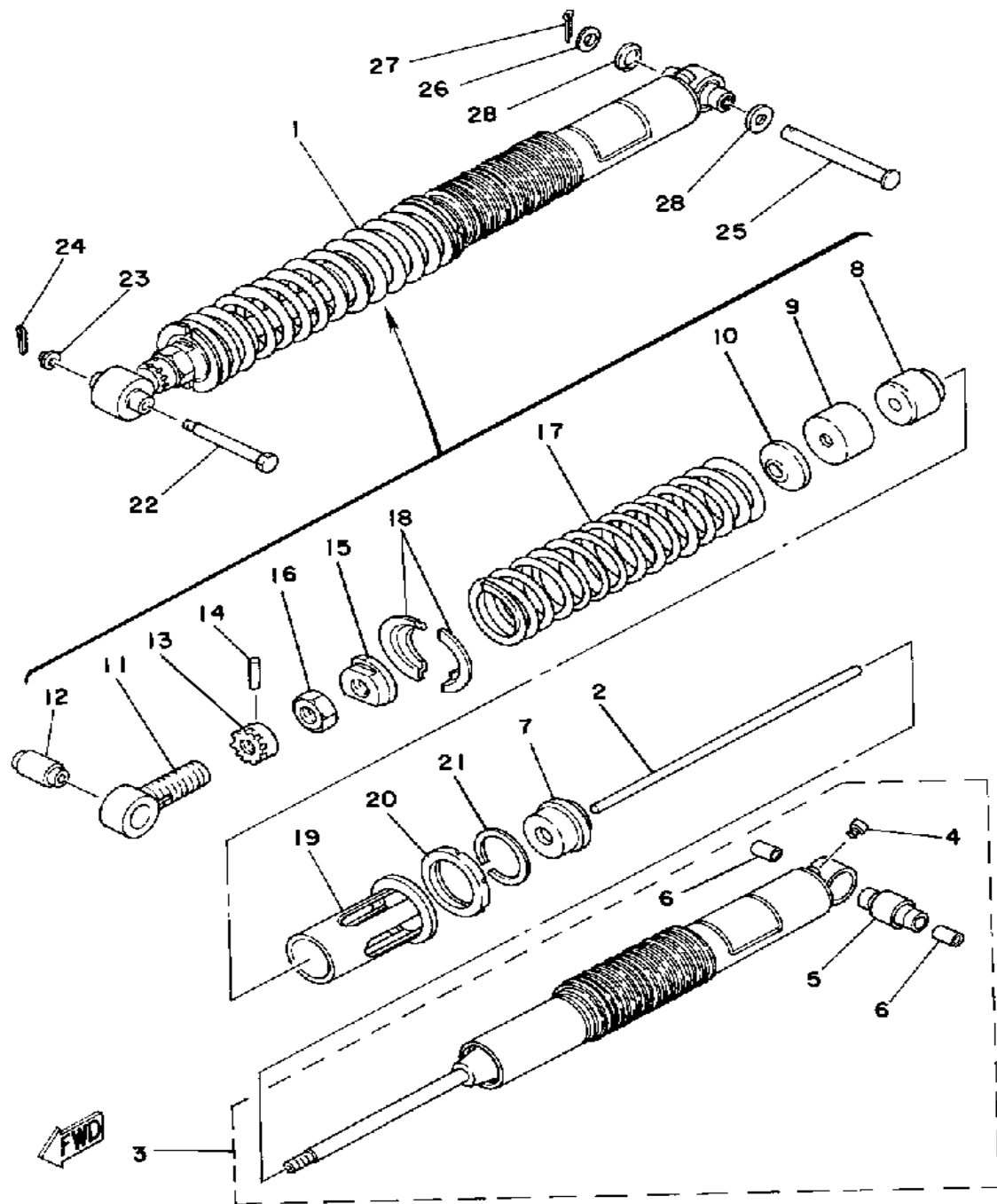
CONTINUED ON NEXT FRAME ►

REAR ARM



Ref. No.	Part Number	Description	Qty	Remarks
29	92995-06100-00	WASHER, SPRING	1	
30	92901-06600-00	WASHER	1	
31	97011-06020-00	BOLT	1	
32	92995-06100-00	WASHER, SPRING	1	
33	90201-06067-00	WASHER, PLATE	1	
34	(1W6-22179-00-00)	ARM, TENSIONER	1	
35	1W1-22187-00-00	GUIDE, CHAIN	1	
36	ACC-11130-00-25	TENSIONER (2N0-22178-00-00)	1	
37	90508-35350-00	SPRING, TORSION	1	
38	90109-10483-00	BOLT (90109-10533-00)	1	
39	93104-14044-00	OIL SEAL	2	
40	95311-05700-00	NUT	2	
41	98501-05035-00	SCREW, PAN HEAD	2	
42	(2X7-22313-00-00)	RUBBER, CHAIN CASE	1	ALTERNATE PARTS
43	90387-062M9-00	COLLAR	1	ALTERNATE PARTS
44	98503-06014-00	SCREW, PAN HEAD (92502-06016)	1	ALTERNATE PARTS
45	92901-06600-00	WASHER	1	ALTERNATE PARTS
46	95601-06100-00	NUT, U	1	ALTERNATE PARTS
47	90387-06500-00	COLLAR	1	ALTERNATE PARTS

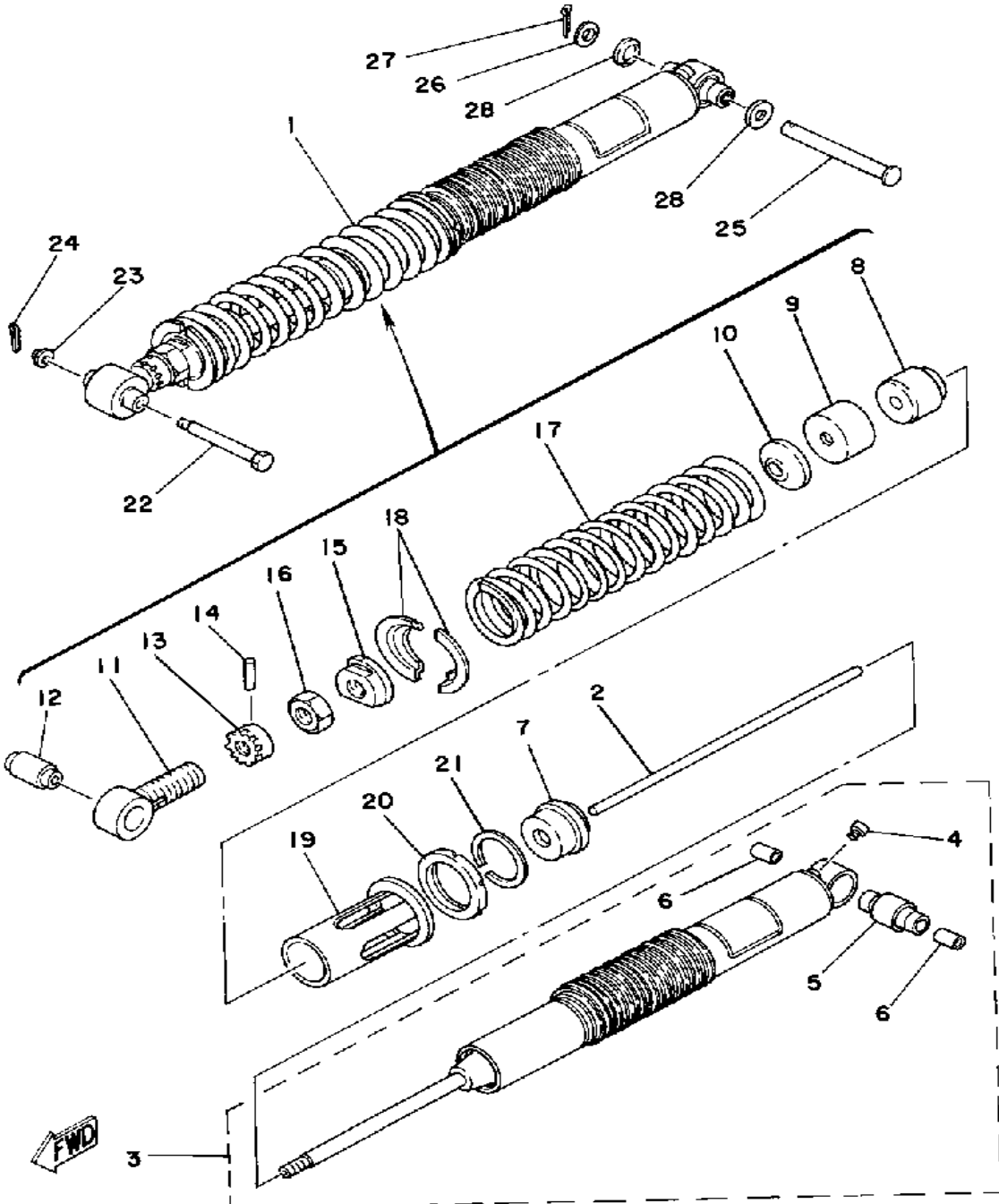
REAR SUSPENSION



Ref. No.	Part Number	Description	Qty	Remarks
1	(3R8-22210-00-00)	SHK/ABS ASSEMBLY, REAR	1	
2	(2W6-22489-00-00)	ROD, PUSH	1	
3	(3R8-22401-00-00)	DAMPER SUB-ASSEMBLY.	1	
4	98511-04006-00	.. SCREW, PAN HEAD (98501-04005)	1	
5	1W1-22226-00-00	.. BUSH, SHOCK ABS LWR	1	
6	90380-12051-00	.. BUSH, SOLID	2	
7	(1W1-22472-00-00)	CAP, CASE	1	
8	(2W6-22493-00-00)	BUMP, STOP	1	
9	(2W6-22221-00-00)	COVER	1	
10	(2W6-22228-00-00)	SUPPORT, BUMP STOP	1	
11	(1W1-22219-00-00)	BRACKET, UPPER	1	
12	1YW-22216-00-00	. BUSH, RR SHOCK ABS	1	
13	(1W1-22497-00-00)	NUT, ADJUSTING	1	
14	93604-26132-00	. PIN, DOWEL	1	
15	(2K6-22213-00-00)	SEAT, SPRING UPPER	1	
16	90170-20320-00	. NUT	1	
17	(3R8-22212-10-00)	SPRING	1	SOFT (PNT GREEN)ALTERNATE PARTS
	(90501-99481-00)	SPRING, COMPRESSION	1	STD (PAINTED6YELLOW)
	90501-99479-00	. SPRING, COMPRESSION (K=5.03 KG/MM)	1	HARD (PNT BLUE)
18	2K6-22214-00-00	. GUIDE, SPRING 1	2	
19	(1W1-22224-00-00)	GUIDE, SPRING 2	1	
20	(1W1-22223-00-00)	SEAT, SPRING LOWER	1	
21	(93440-50058-00)	CIRCLIP, OUTER	1	
22	90109-08532-00	BOLT	1	
23	90179-08243-00	NUT, SPEC'L SHAPE	1	

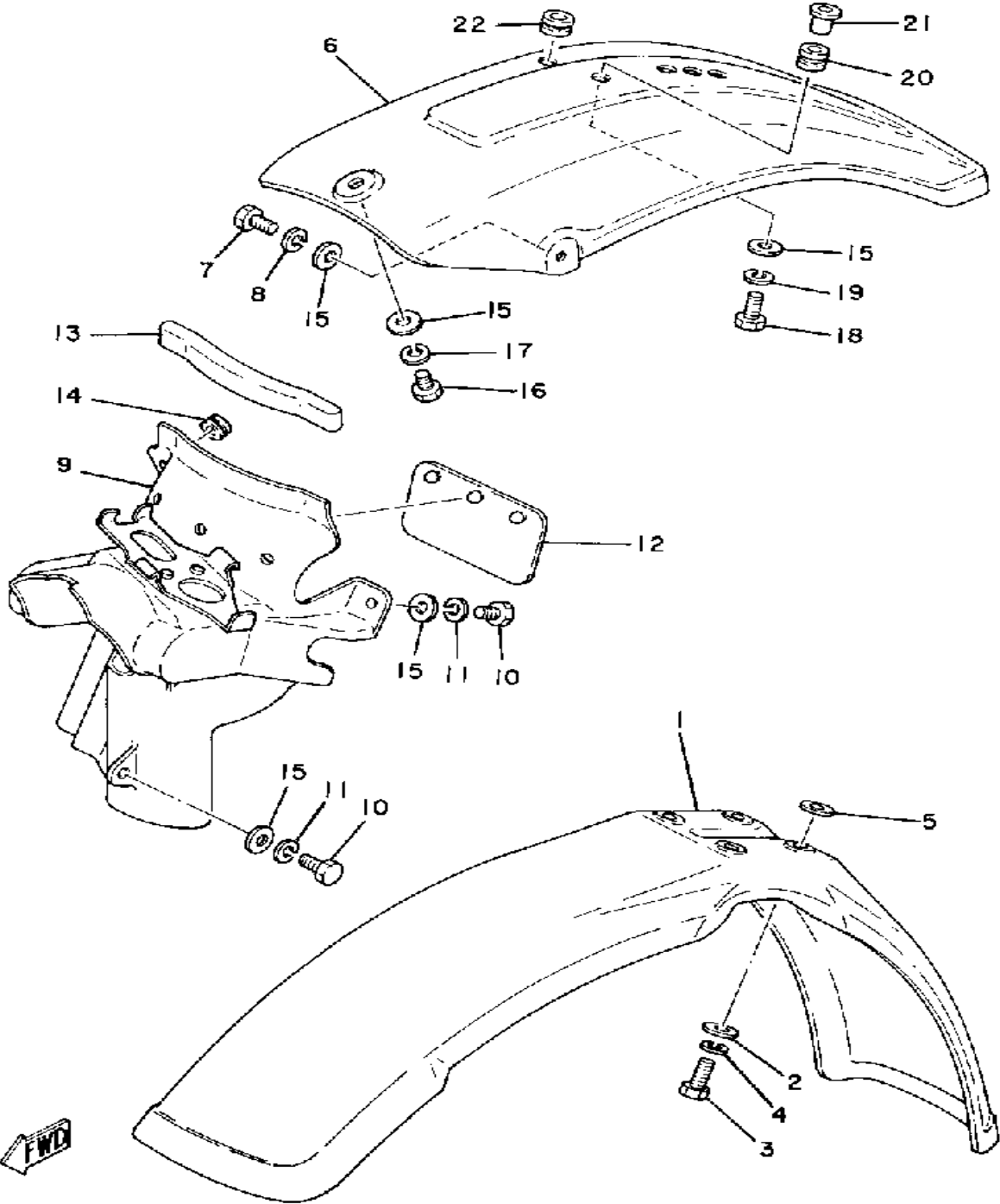
CONTINUED ON NEXT FRAME ►

REAR SUSPENSION



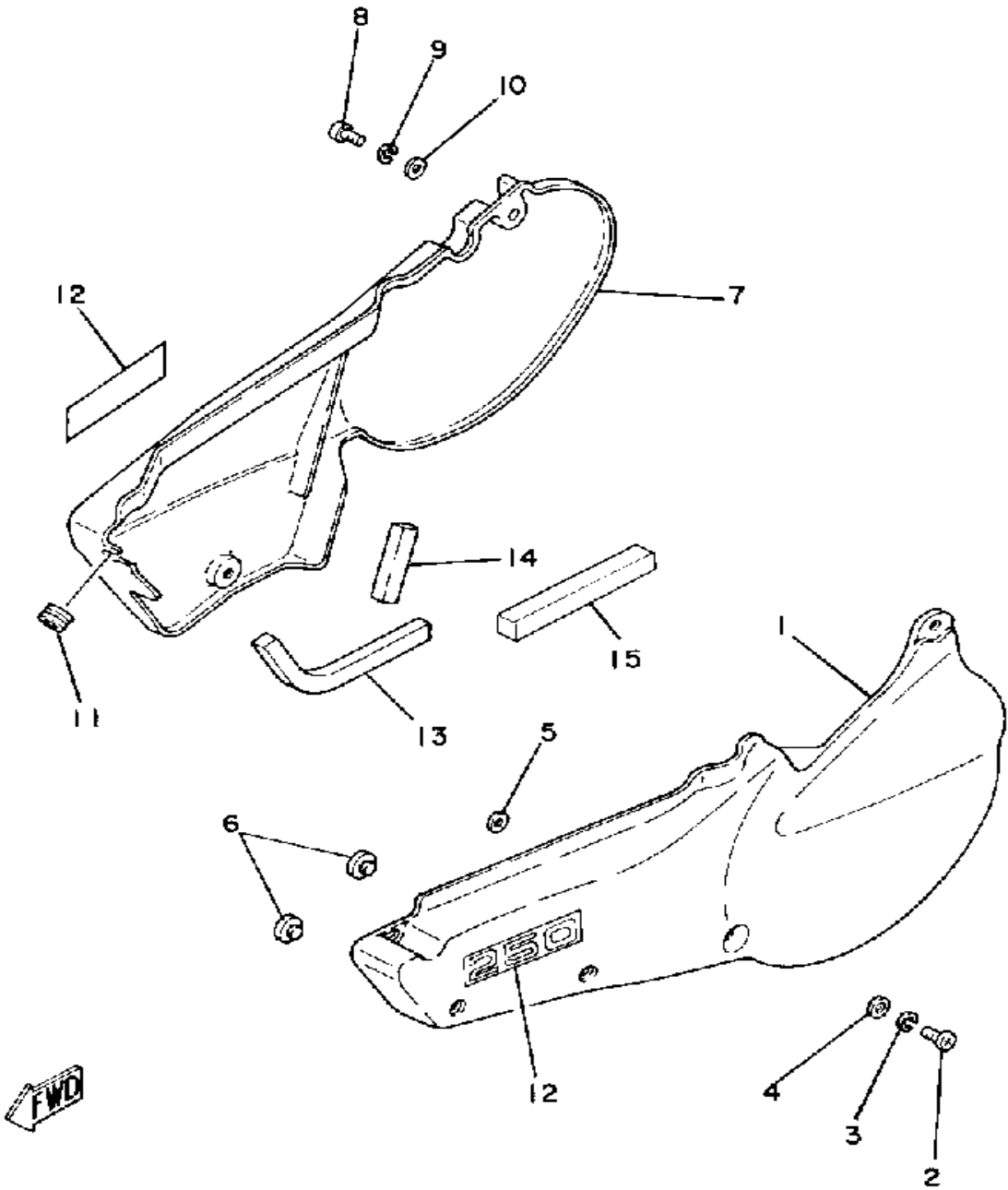
Ref. No.	Part Number	Description	Qty	Remarks
24	91490-20020-00	PIN, COTTER	1	
25	90240-12060-00	PIN, CLEVIS	1	
26	92990-12600-00	WASHER, PLATE	1	
27	91401-30030-00	PIN, COTTER	1	
28	1W1-22128-00-00	COVER, THRUST 1	2	

FRONT FENDER-REAR FENDER



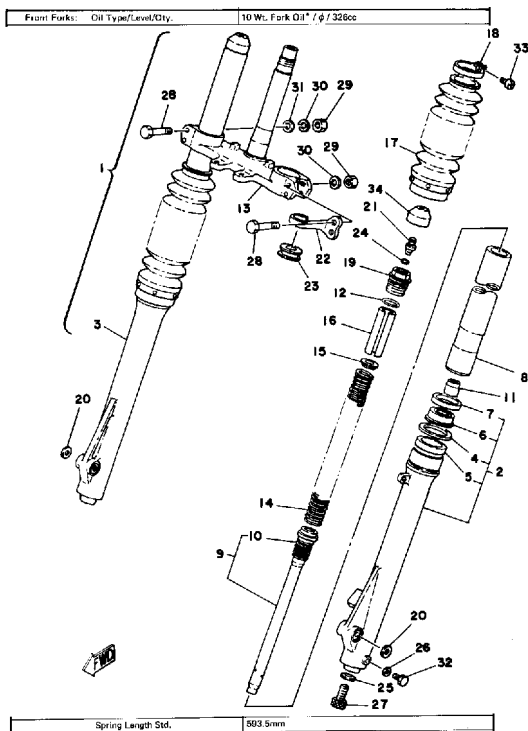
Ref. No.	Part Number	Description	Qty	Remarks
1	5X6-21511-11-00	FENDER, FRONT	1	CLEAN WHITE
2	90201-06067-00	WASHER, PLATE	4	
3	97023-06020-00	BOLT (3XF)	4	
4	92995-06100-00	WASHER, SPRING	4	
5	90209-06187-00	WASHER	4	
6	3R8-21611-00-00	FENDER, REAR	1	CLEAN WHITE
7	97301-06014-00	BOLT, HEXAGON	2	
8	92995-06100-00	WASHER, SPRING	2	
9	(3R7-21620-00-00)	GUARD, MUD	1	
10	97301-06014-00	BOLT, HEXAGON	3	
11	92995-06100-00	WASHER, SPRING	3	
12	1M1-21621-00-00	FLAP	1	
13	565-21746-00-00	DAMPER	1	
14	90480-13018-00	GROMMET	1	
15	90201-06067-00	WASHER, PLATE	7	
16	97301-06014-00	BOLT, HEXAGON	1	
17	92995-06100-00	WASHER, SPRING	1	
18	97011-06025-00	BOLT (97001-06025)	1	
19	92995-06100-00	WASHER, SPRING	1	
20	90480-14198-00	GROMMET	1	
21	90387-06388-00	COLLAR	1	
22	90480-15058-00	GROMMET	1	

SIDE COVER



Ref. No.	Part Number	Description	Qty	Remarks
1	(3R8-21711-00-26)	COVER, SIDE 1	1	COMP. YELLOW6/SKY BLUE
2	98503-06014-00	SCREW, PAN HEAD (92502-06016)	3	
3	92995-06100-00	WASHER, SPRING	3	
4	90201-06571-00	WASHER, PLATE	3	
5	92990-08200-00	WASHER, PLAIN	1	
6	22W-24181-00-00	DAMPER, LOCATING 1	3	
7	(3R8-21721-00-26)	COVER, SIDE 2	1	COMP. YELLOW6/SKY BLUE
8	98503-06014-00	SCREW, PAN HEAD (92502-06016)	2	
9	92995-06100-00	WASHER, SPRING	2	
10	90201-06571-00	WASHER, PLATE	2	
11	90480-12053-00	GROMMET	1	
12	(2X4-21737-00-00)	EMBLEM	2	
13	3R8-21746-00-00	DAMPER (250G)	1	
14	(3R8-21747-00-00)	DAMPER	1	
15	(3R8-21778-00-00)	DAMPER, LOCATING 1	1	

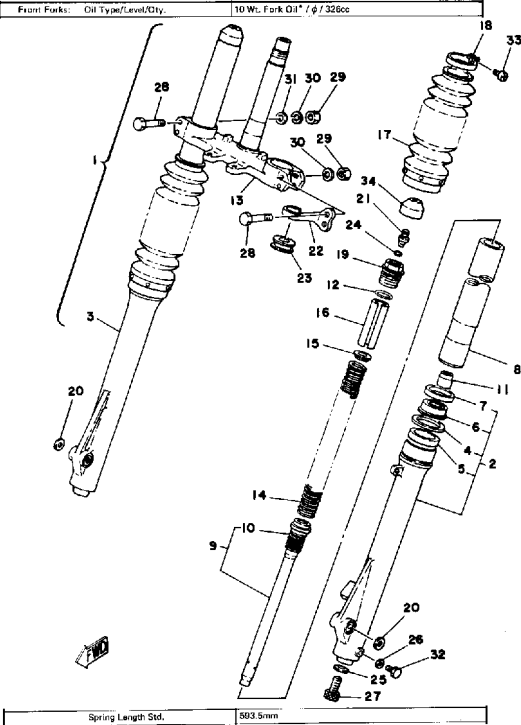
FRONT FORK



Ref. No.	Part Number	Description	Qty	Remarks
1	(3R8-23101-L0-00)	FRONT FORK ASSEMBLY	1	
2	(3R8-23126-L0-00)	TUBE, OUTER 1	1	
3	(3R8-23136-L0-00)	TUBE, OUTER 2	1	
4	1W1-23156-L0-00	.. CLIP, OIL SEAL	2	
5	48Y-23145-00-00	.. OIL SEAL	2	
6	509-23144-L0-00	.. SEAL, DUST	2	
7	3R8-23148-L0-00	.. COVER, DUST SEAL	2	
8	(3R8-23110-L0-00)	INNER TUBE 1	2	
9	(3R8-23170-L0-00)	CYLINDER, FRTFRK	2	
10	(1W1-23151-L0-00)	SPRING, REBOUND	2	
11	39K-23173-00-00	. SPINDLE, TAPER	2	
12	1W1-23114-L0-00	. GASKET	2	
13	(2X7-23340-00-33)	UNDER BRACKET	1	YAMAHA BLACK
14	(3R8-23141-10-00)	SPRING, FRONT FORK	2	ALTERNATE PARTS
	(3R8-23141-20-00)	SPRING, FRONT FORK	2	ALTERNATE PARTS
	(3R8-23141-L1-00)	SPRING, FRONT FORK	2	
15	1W1-23142-L0-00	. SEAT, SPRING UPPER	2	
16	(1W1-23118-L0-00)	SPACER	2	
17	2X3-23191-M0-00	. BOOT, FRONT FORK	2	
18	341-92090-60-00	. BAND, BOOT	2	
19	1W1-23111-L0-00	. BOLT, CAP	2	
20	1W1-23168-L0-00	. CAP, FRONT FORK	2	
21	509-23190-L0-00	. AIR VALVE	2	
22	1W1-23317-01-00	. HOLDER, CABLE	1	
23	3R4-23389-00-00	. GUIDE, CABLE	1	
24	509-23163-L0-00	. O-RING	2	
25	509-23158-L0-00	. GASKET	2	
26	122-23129-00-00	. GASKET, DRAIN PLUG	2	
27	278-23181-50-00	. BOLT, HEXAGON SOCKET HEAD	2	

CONTINUED ON NEXT FRAME ➤

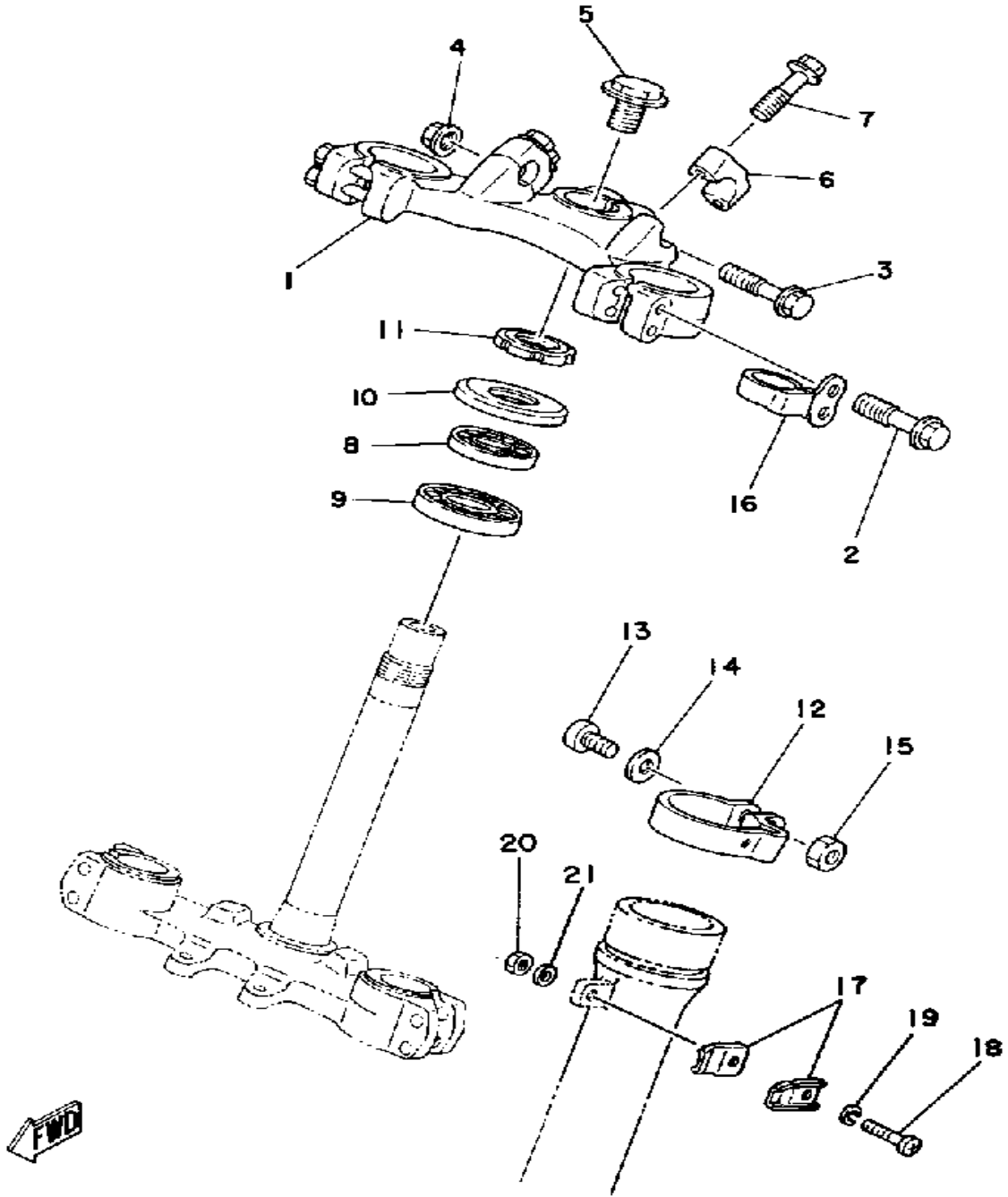
FRONT FORK



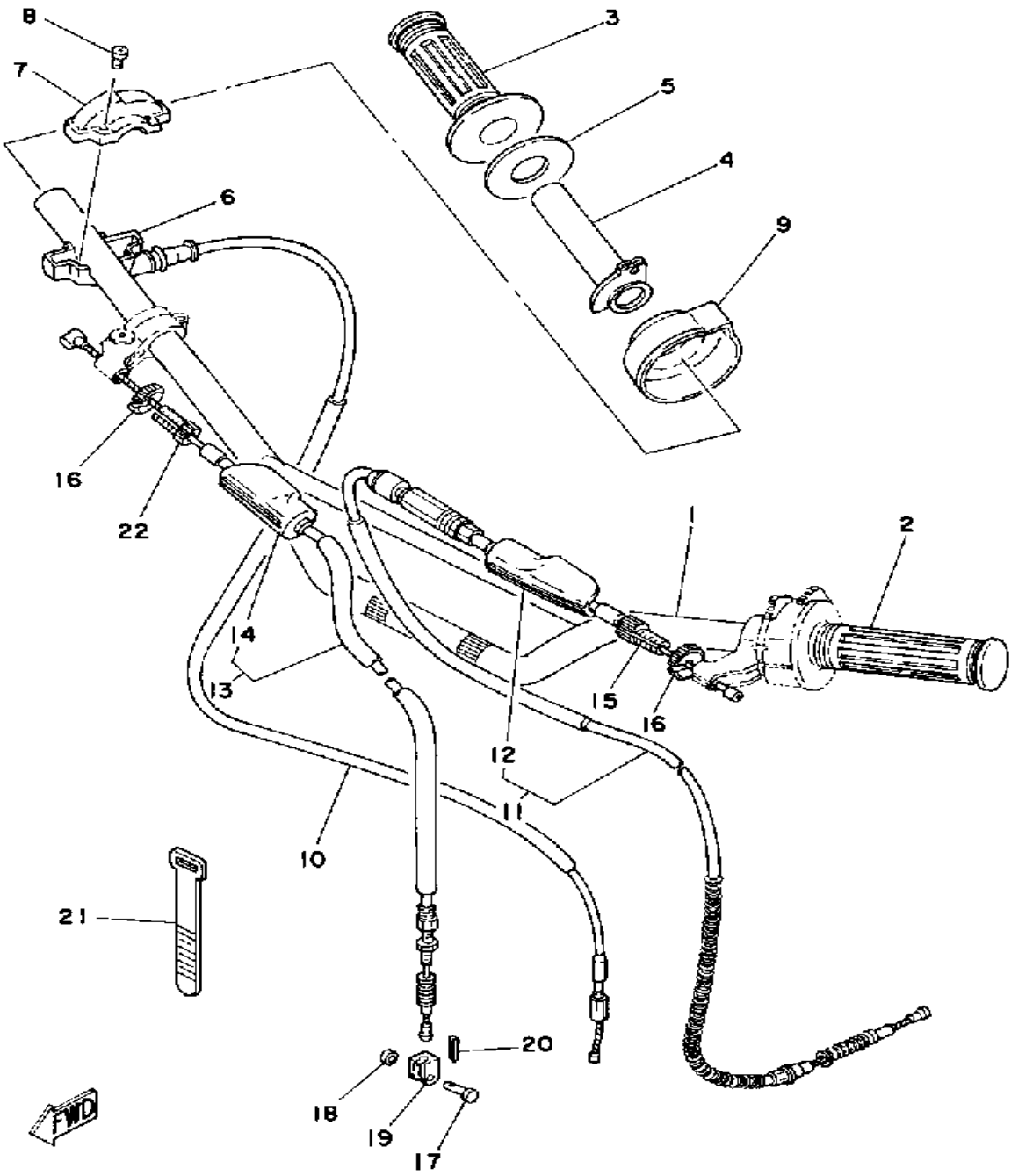
Ref. No.	Part Number	Description	Qty	Remarks
28	90101-08340-00	. BOLT	4	
29	95333-08600-00	. NUT	4	
30	92990-08100-00	. WASHER	4	
31	92901-08600-00	. WASHER	4	
32	98580-04008-00	. SCREW, PAN HEAD	2	
33	509-23194-L0-00	. SCREW, BOOT BAND	2	
34	1W1-23185-L0-00	. COVER, VALVE	2	

STEERING

Ref. No.	Part Number	Description	Qty	Remarks
1	5X3-23435-01-98	CROWN, HANDLE	1	LOW GLOSS BLK
2	90105-08091-00	BOLT, WASHER BASED	4	
3	95811-08055-00	BOLT, FLANGE	1	
4	95701-08500-00	NUT, FLANGE	1	
5	90105-14136-00	BOLT, WASHER BASED	1	
6	1E6-23441-00-00	HOLDER, HANDLE UPR	2	LOW GLOSS BLK
7	95811-08035-00	BOLT, FLANGE (95821-08035) .	4	
8	93332-00001-00	BEARING	1	
9	93332-00008-00	BEARING	1	
10	3HE-23416-00-00	COVER, BALL RACE 2	1	
11	90179-25033-00	NUT	1	
12	1W2-23318-00-00	HOLDER, CABLE 1	1	
13	98501-05018-00	SCREW, PAN HEAD	1	
14	92901-05600-00	WASHER, PLATE	1	
15	95380-05600-00	NUT	1	
16	3R4-23317-00-00	HOLDER, CABLE	1	
17	90462-14055-00	CLAMP	2	
18	98511-06025-00	SCREW PAN HEAD (92501-06025)	1	
19	92995-06100-00	WASHER, SPRING	1	
20	95380-06600-00	NUT	1	
21	92901-06600-00	WASHER	1	

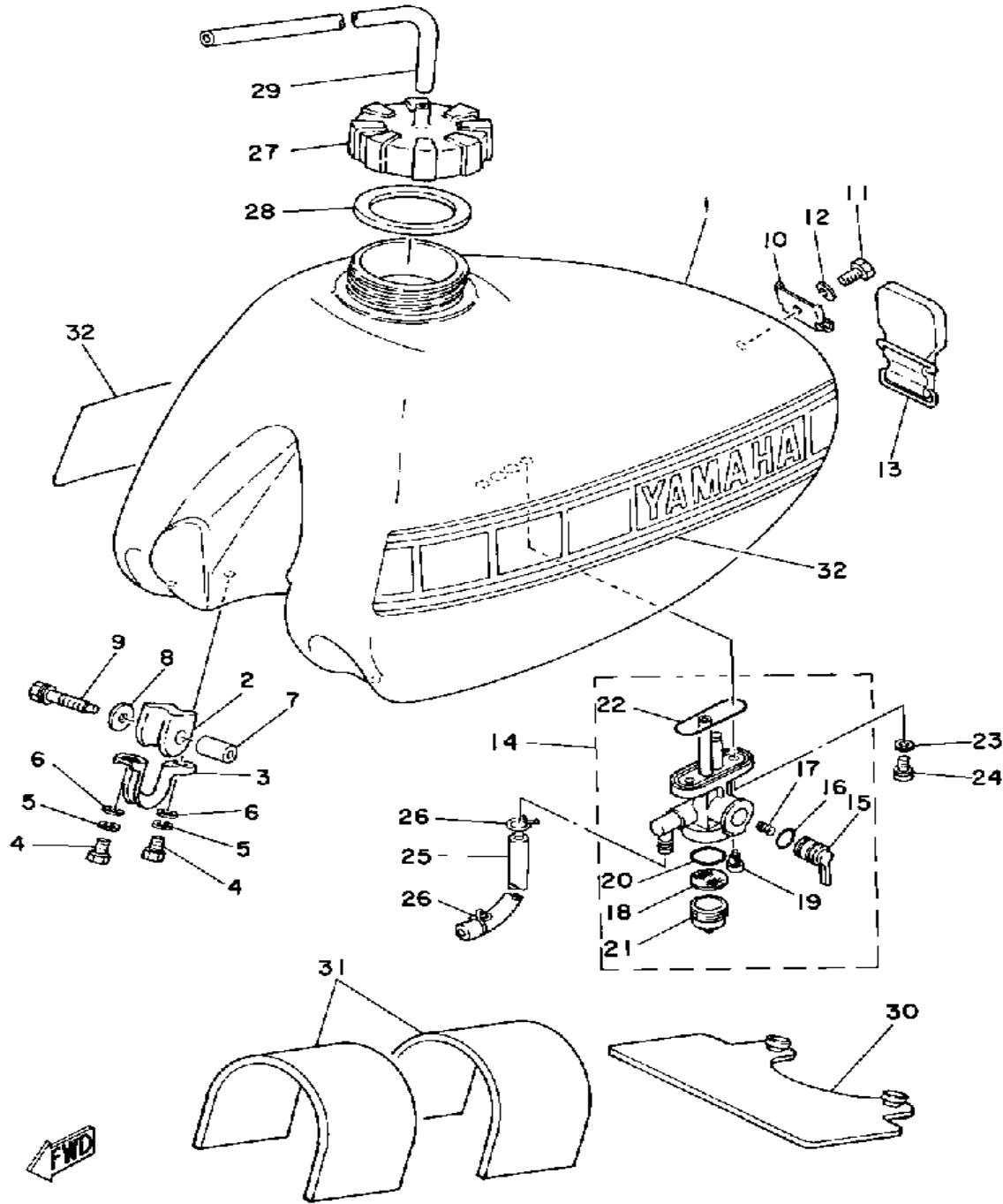


HANDLEBAR-CABLE



Ref. No.	Part Number	Description	Qty	Remarks
1	1W1-26111-03-00	HANDLEBAR (1W1-26111-02)	1	
2	1E6-26241-00-00	GRIP LH	1	
3	583-26242-00-00	GRIP RH	1	
4	322-26243-00-00	TUBE, throttle guide	1	
5	1W1-26249-00-00	RING, leaf	1	
6	322-26281-00-98	CAP, GRIP UPPER	1	LOW GLOSS BLK
7	322-26282-00-00	CAP, GRIP LOWER	1	LOW GLOSS BLK
8	98580-05016-00	SCREW, PAN HEAD	2	
9	3R8-26287-00-00	COVER, CAP GRIP	1	
10	1W6-26311-01-00	CABLE, THROTTLE 1	1	
11	2K7-26335-00-00	CABLE, CLUTCH (1150MM)	1	
12	382-26372-01-00	. COVER, HANDLE LEVER	1	
13	4V4-26341-00-00	CABLE, BRAKE	1	
14	382-26372-01-00	. COVER, HANDLE LEVER	1	
15	90123-08013-00	BOLT	1	
16	90179-08148-00	NUT	2	
17	90240-08013-00	PIN, CLEVIS	1	
18	90201-08083-00	WASHER, PLATE	1	
19	156-26347-00-00	JOINT, CABLE	1	
20	91490-20020-00	PIN, COTTER	1	
21	437-83936-11-00	BAND, SWITCH CORD	1	
22	90123-08046-00	BOLT	1	

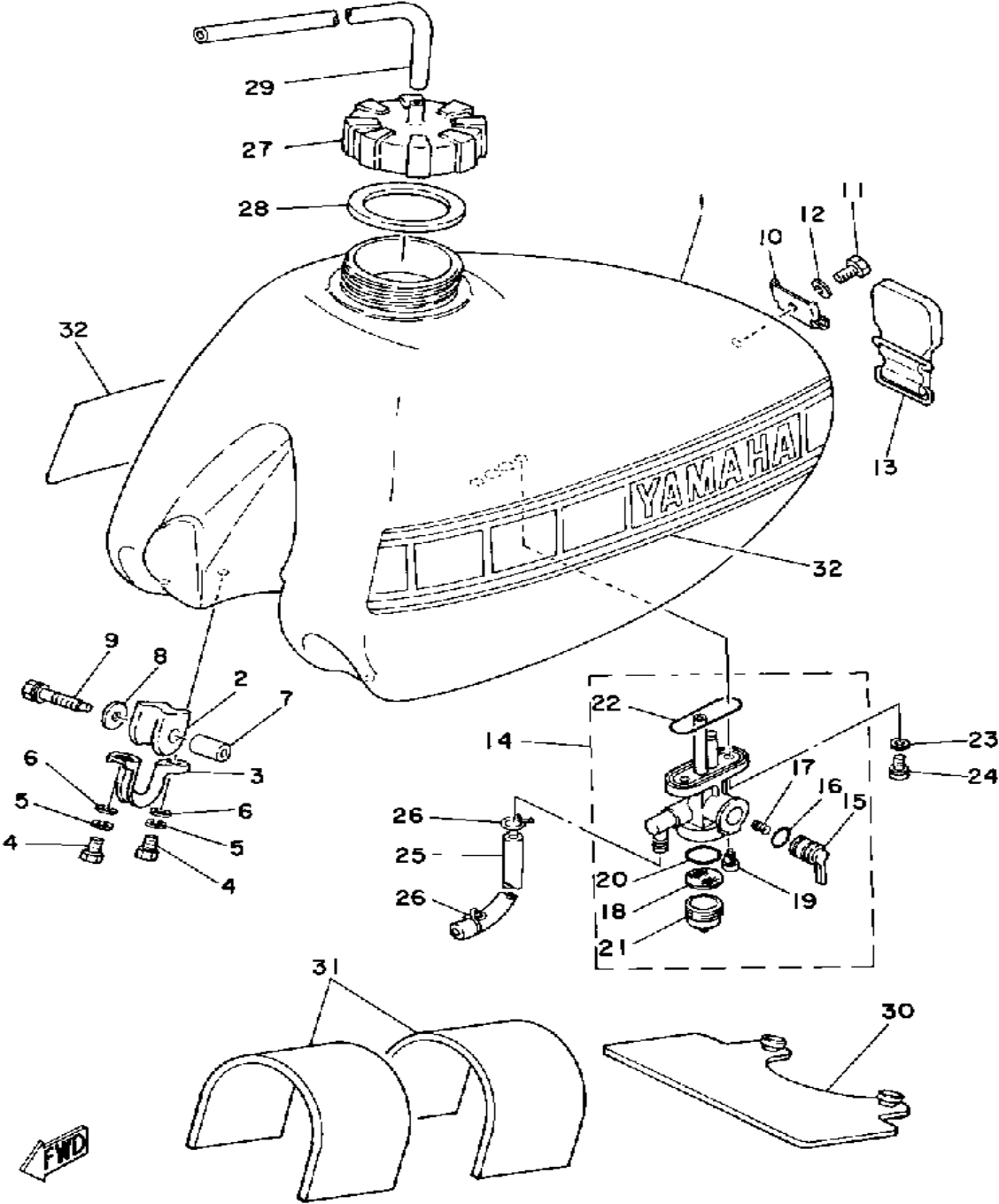
FUEL TANK



Ref. No.	Part Number	Description	Qty	Remarks
1	1W6-24110-00-00	FUEL TANK	1	SKY BLUE
2	1W1-24182-01-00	DAMPER, LOCATING 2	2	
3	1W1-24144-01-00	HOLDER, DAMPER	2	
4	97013-06012-00	BOLT	4	
5	92995-06100-00	WASHER, SPRING	4	
6	92901-06600-00	WASHER	4	
7	90387-07393-00	COLLAR (308-84557-00)	2	
8	90201-06407-00	WASHER, PLATE (90201-06747-00)	2	
9	90119-06022-00	BOLT, WITH WASHER	2	
10	1W1-24192-00-00	BRACKET, FUEL TNK 2	1	
11	97013-06012-00	BOLT	1	
12	92995-06100-00	WASHER, SPRING	1	
13	1W1-24173-00-00	BAND, TNK FITTING 1	1	
14	3R9-24500-00-00	FUEL COCK ASSEMBLY 1 ...	1	
15	(2W6-24524-00-00)	LEVER, COCK	1	
16	2N3-24528-00-00	. GASKET	1	
17	2W6-24529-00-00	. SPRING	1	
18	2W6-24561-00-00	. NET, FILTER	1	
19	2N3-24535-00-00	. SCREW, LVR FITTING	1	
20	357-24522-10-00	. GASKET	1	
21	(357-24521-10-00)	CUP, FILTER	1	
22	2W6-24512-00-00	. O-RING	1	
23	90202-05187-00	WASHER, PLATE	2	
24	90149-06011-00	SCREW	2	
25	90445-11182-00	HOSE	1	
26	90467-10008-00	CLIP	2	
27	1K7-24611-01-00	BODY, CAP	1	
28	1K7-24612-02-00	GASKET, CAP	1	

CONTINUED ON NEXT FRAME ►

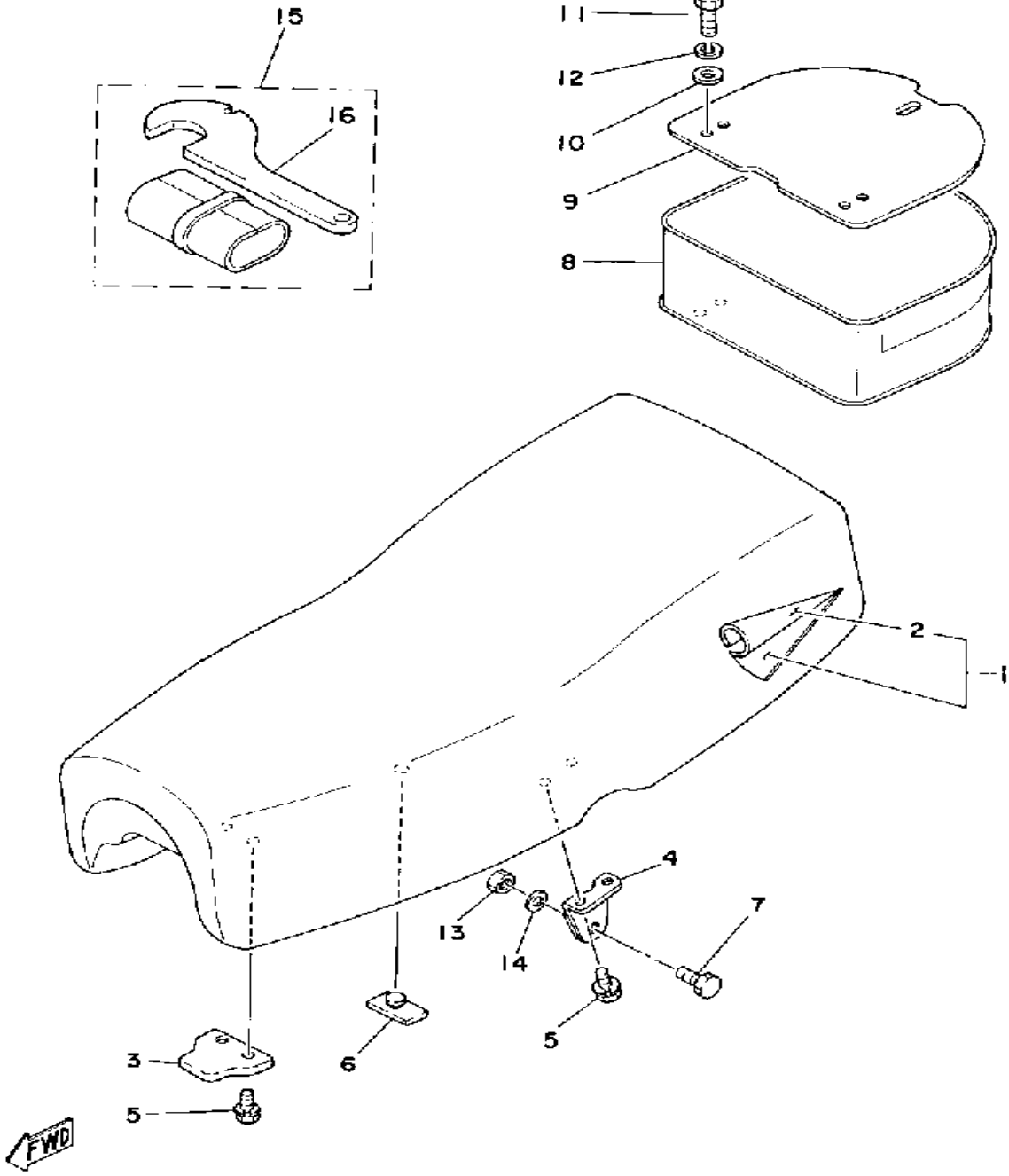
FUEL TANK



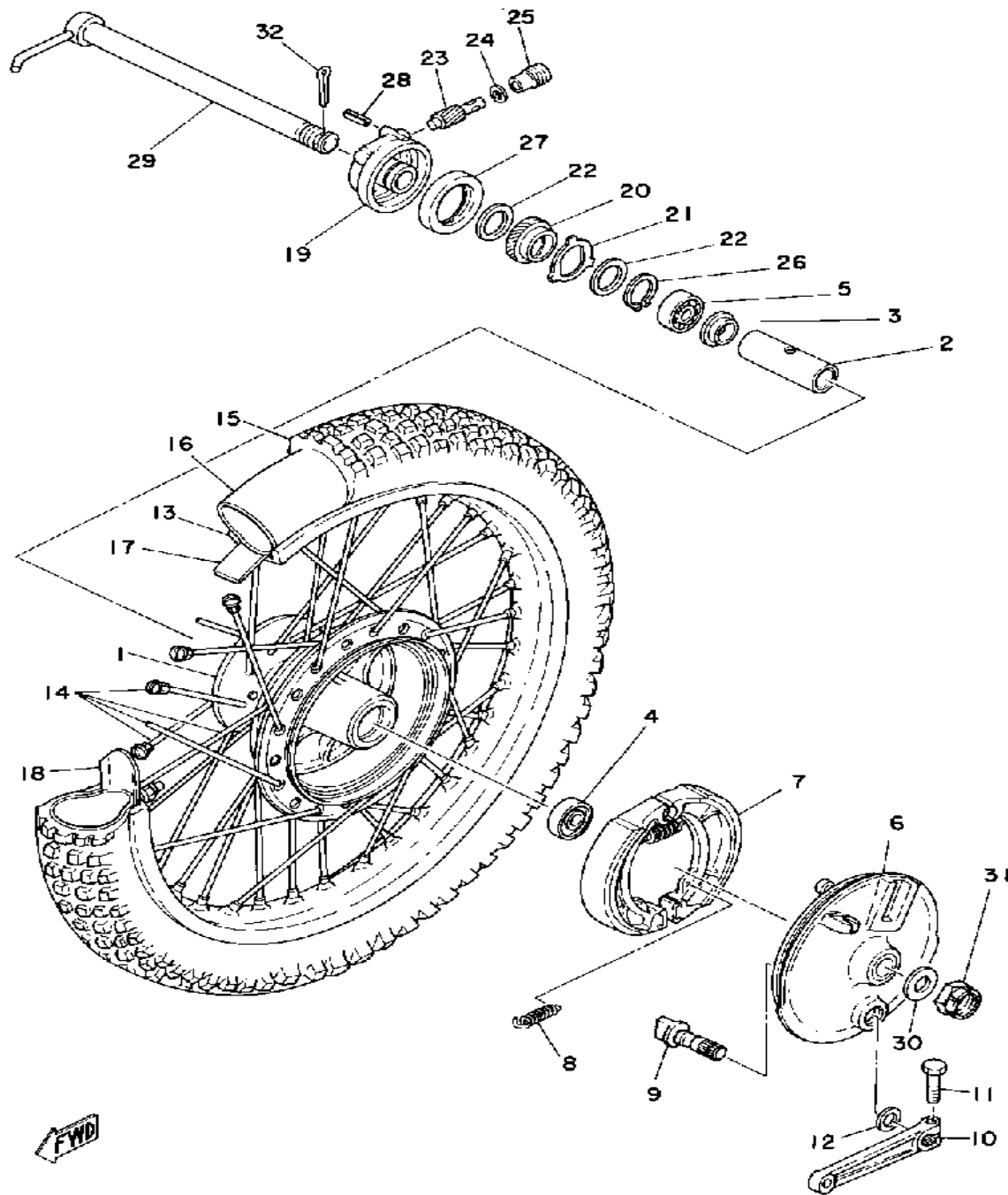
Ref. No.	Part Number	Description	Qty	Remarks
29	90445-09361-00	HOSE	1	
30	(1W1-24181-00-00)	DAMPER, LOCATING 1	1	
31	1W1-24183-00-00	DAMPER, LOCATING 3	2	
32	(3R8-24240-10-00)	GRAPHIC SET	1	

SEAT

Ref. No.	Part Number	Description	Qty	Remarks
1	(2X7-W2473-00-00)	SEMI-DBL-SEAT ASSEMBLY ..	1	
2	2K8-24771-00-00	. COVER, SM-DBL SEAT	1	
3	1M1-24748-00-00	BRACKET, SEAT	1	
4	1W1-24738-00-00	BRACKET, SEAT	2	
5	90101-06304-00	BOLT	6	
6	509-24724-00-00	DAMPER, SEAT	6	
7	97013-06035-00	BOLT	2	
8	1W2-24850-01-00	CARRIER BOX ASSEMBLY ...	1	
	1W2-24850-01-00	CARRIER BOX ASSEMBLY ...	1	445
9	1W2-24833-01-00	BRACKET, CARRIER 2	1	
	1W2-24833-01-00	BRACKET, CARRIER 2	1	445
10	90201-06067-00	WASHER, PLATE	3	
11	97001-06018-00	BOLT	3	
12	92995-06100-00	WASHER, SPRING	3	
13	95601-06100-00	NUT, U	2	
14	92990-06200-00	WASHER	2	
15	1W2-W2810-00-00	TOOL KIT	1	
16	10V-28135-00-00	SPANNER, SPECIAL	1	



FRONT WHEEL

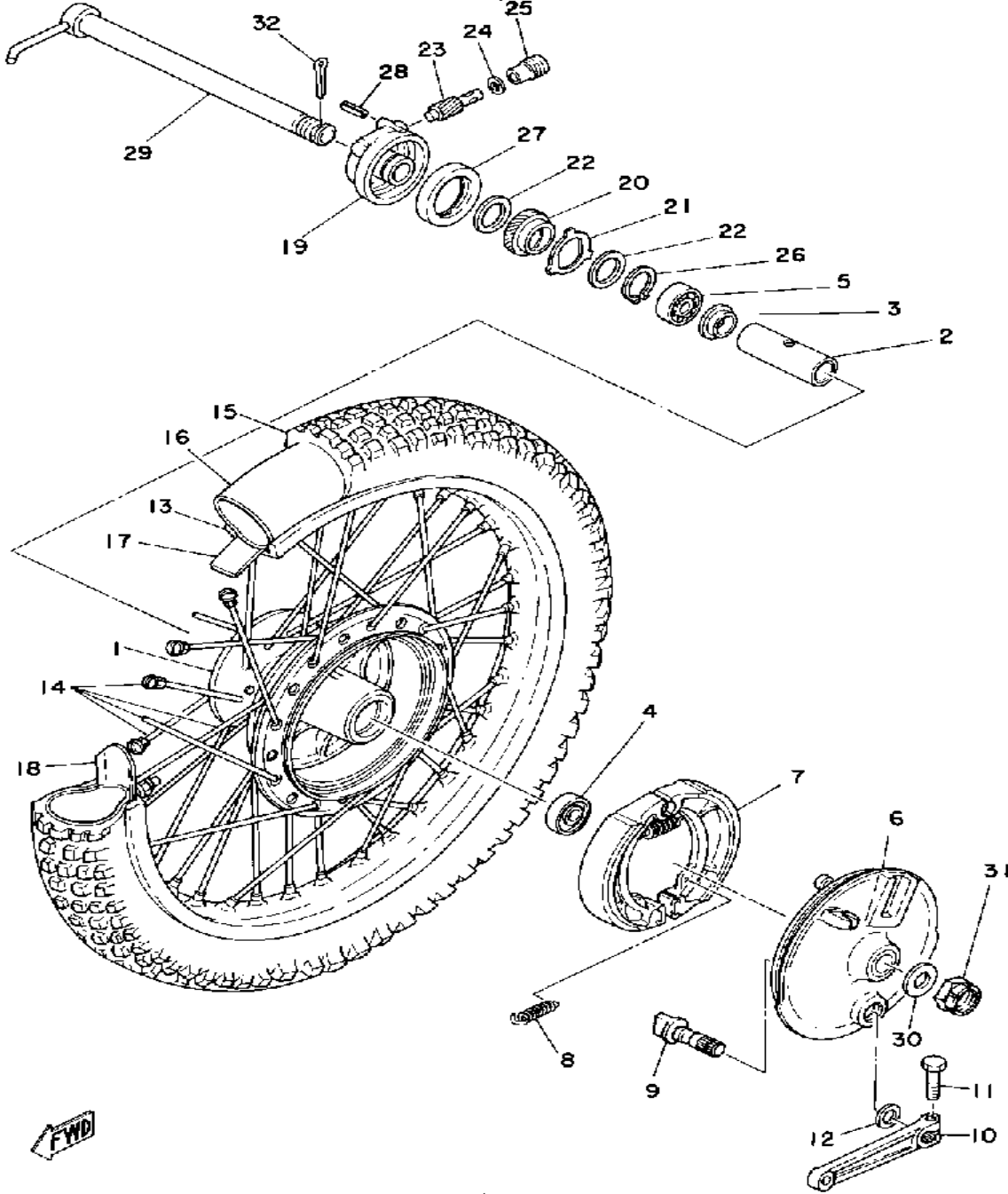


Ref. No.	Part Number	Description	Qty	Remarks
1	1K7-25111-10-98	HUB, FRONT	1	LOW GLOSS BLK
2	90560-15116-00	SPACER	1	
3	146-25116-00-00	FLANGE, SPACER 2	1	
4	93306-20226-00	BEARING	1	
5	93306-20209-00	BEARING (B6202)	1	
6	1W1-25016-11-98	BRAKE SHOE PLT ASSEMBLY (1W1-25121-02-98)	1	LOW GLOSS BLK
7	322-W2535-00-00	BRAKESHOE SET-2PCS	2	
8	90506-17328-00	SPRING, TENSION	2	
9	23X-25151-00-00	CAMSHAFT	1	
10	322-25155-00-00	LEVER, CAMSHAFT 1	1	
11	90101-06291-00	BOLT	1	
12	137-25159-00-00	SEAL, CAMSHAFT	1	
13	94416-21234-00	RIM 1.60X 1	1	
14	2W6-25104-02-00	SPOKE SET, FRONT	1	
15	(94130-213A4-00)	300-21 M1B (TT)	1	
16	94230-21126-00	TUBE (3.00-21)	1	
17	(94330-21088-00)	BAND, RIM	1	
18	1T1-25194-00-00	SPACER, BEAD	1	
19	1W2-25190-00-00	GEAR UNIT ASSEMBLY	1	
20	1W2-25135-00-00	GEAR, DRIVE	1	
21	1K7-25149-00-00	CLUTCH, METER	1	
22	90201-22283-00	WASHER, PLATE	2	
23	1W2-25138-00-00	GEAR, METER	1	
24	102-18416-00-00	SHIM, ROD	1	
25	306-25136-00-00	BUSH	1	
26	93410-22014-00	CIRCLIP, S-TYPE	1	
27	93106-40027-00	OIL SEAL	1	
28	91609-20014-00	PIN, SPRING	1	

Minimum Brake Lining Thickness	Front: 2mm	Rear: 2mm
Tire Size (Nominal Pressure)	F: 3.00-21 (psi - Optional)	R: 5.10-18 (psi - Optional)

CONTINUED ON NEXT FRAME ►

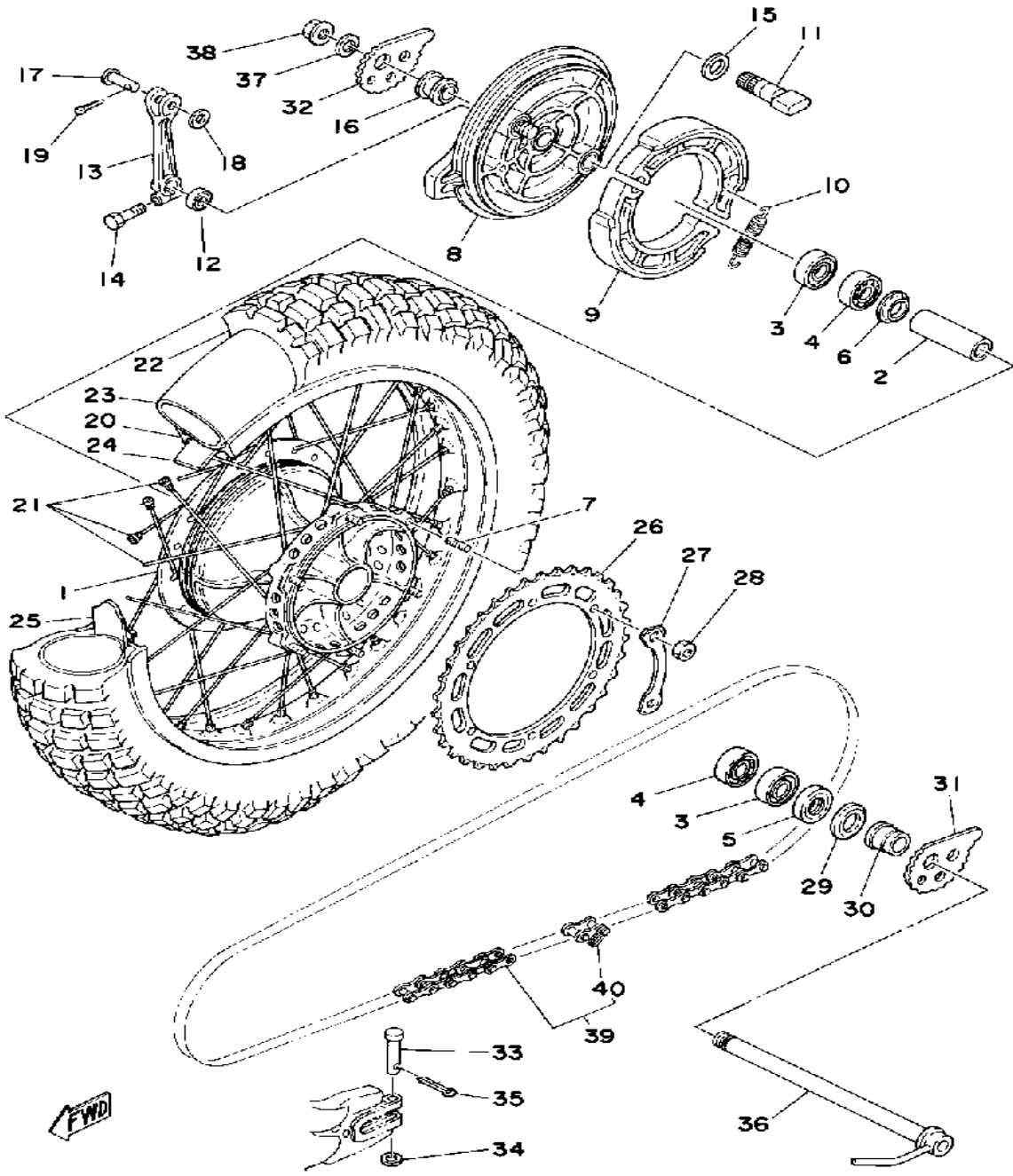
FRONT WHEEL



Ref. No.	Part Number	Description	Qty	Remarks
29	1W2-25181-02-00	AXLE, WHEEL	1	
30	90201-15785-00	WASHER, PLATE	2	
31	90171-14020-00	NUT, CASTLE	1	
32	91401-30030-00	PIN, COTTER	1	

Minimum Brake Lining Thickness	Front: 2mm	Rear: 2mm
Tire Size (Nominal Pressure)	F: 3.00-21 (psi - Optional)	R: 5.10-18 (psi - Optional)

REAR WHEEL

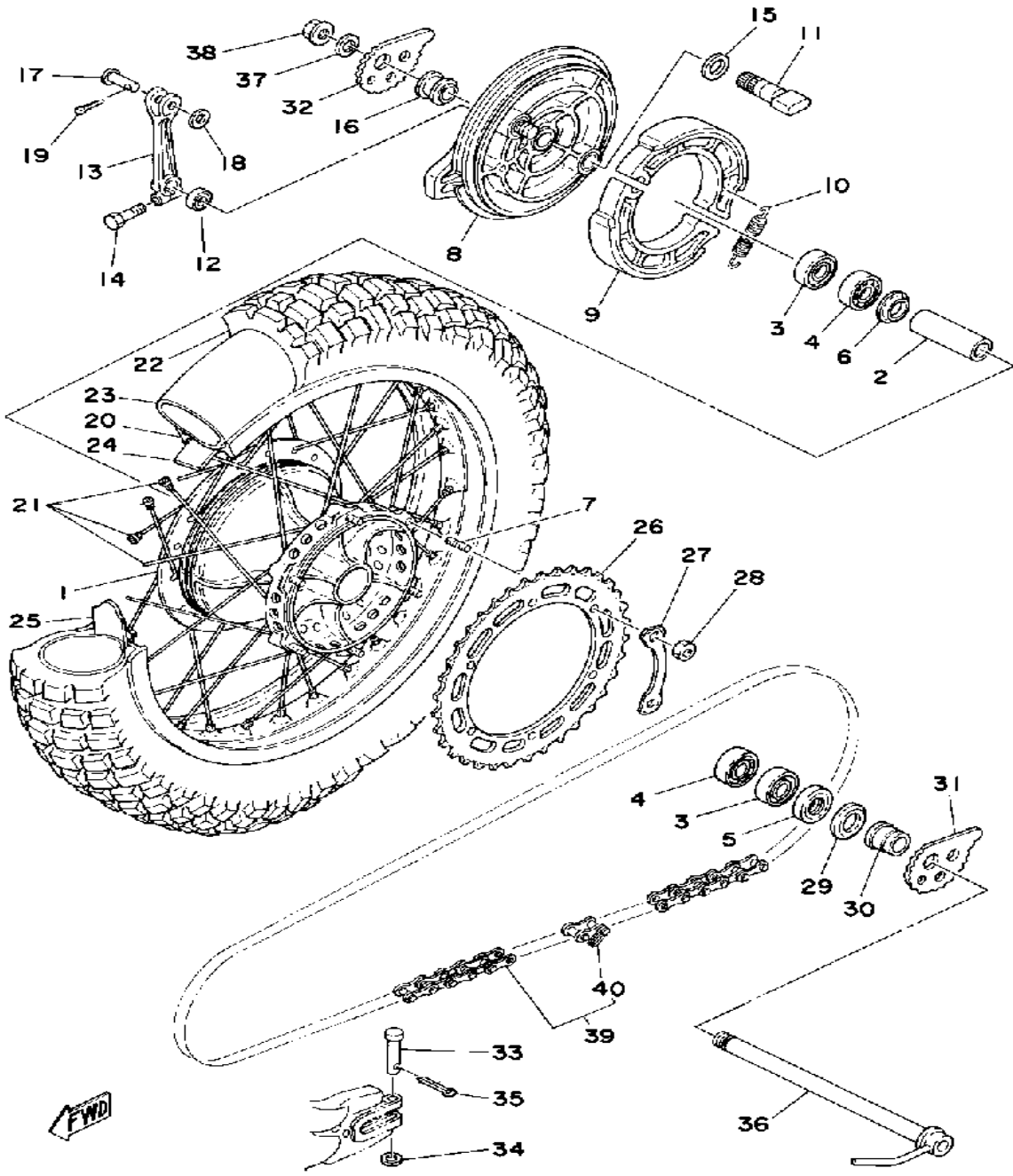


Ref. No.	Part Number	Description	Qty	Remarks
1	(483-25311-13-98)	HUB, REAR	1	LOW GLOSS BLK
2	483-25317-01-00	SPACER, BEARING	1	
3	93306-20310-00	BEARING	2	
4	93306-20310-00	BEARING	2	
5	93102-25061-00	OIL SEAL, SD-TYPE	1	
6	483-25315-00-00	FLANGE, SPACER	1	
7	90116-08218-00	BOLT, STUD	6	
8	(1W6-25321-00-98)	PLATE, BRAKE SHOE	1	LOW GLOSS BLK
9	2X4-W2536-00-00	BRAKESHOE SET-2PCS	2	
10	90507-20002-00	SPRING, TENSION	2	
11	1E6-25151-00-00	CAMSHAFT	1	
12	148-25359-00-00	SEAL, CAMSHAFT	1	
13	4V5-25355-00-00	LEVER, CAMSHAFT (168-25355-00)	1	
14	90101-06291-00	BOLT	1	
15	148-25353-00-00	SHIM, CAMSHAFT	1	
16	(90387-17618-00)	COLLAR	1	
17	1W2-27237-00-00	PIN, CLEVIS	1	
18	90201-12631-00	WASHER, PLATE	1	
19	91401-25030-00	PIN, COTTER	1	
20	94421-18238-00	RIM 2.15X18 (94421-18151) (2.15-18)	1	
21	431-25304-01-00	SPOKE SET, REAR (431-25304-00)	1	
22	94151-18562-00	UNAVAILABLE IN PRICE BOOK	1	
23	94245-18125-00	TUBE (4.50-18)	1	
24	94345-18081-00	BAND, RIM (4.50-18)	1	
25	1T1-25394-01-00	SPACER, BEAD	2	
26	38W-25444-20-00	SPROCKET, DRIVN 44T	1	
	583-25446-10-00	SPROCKET, DRIVN 46T	1	

Minimum Brake Lining Thickness	Front: 2mm	Rear: 2mm
Tire Size (Nominal Pressure)	F:3.00-21 (psi - Optional)	R: 5.10-18 (psi - Optional)

CONTINUED ON NEXT FRAME ➤

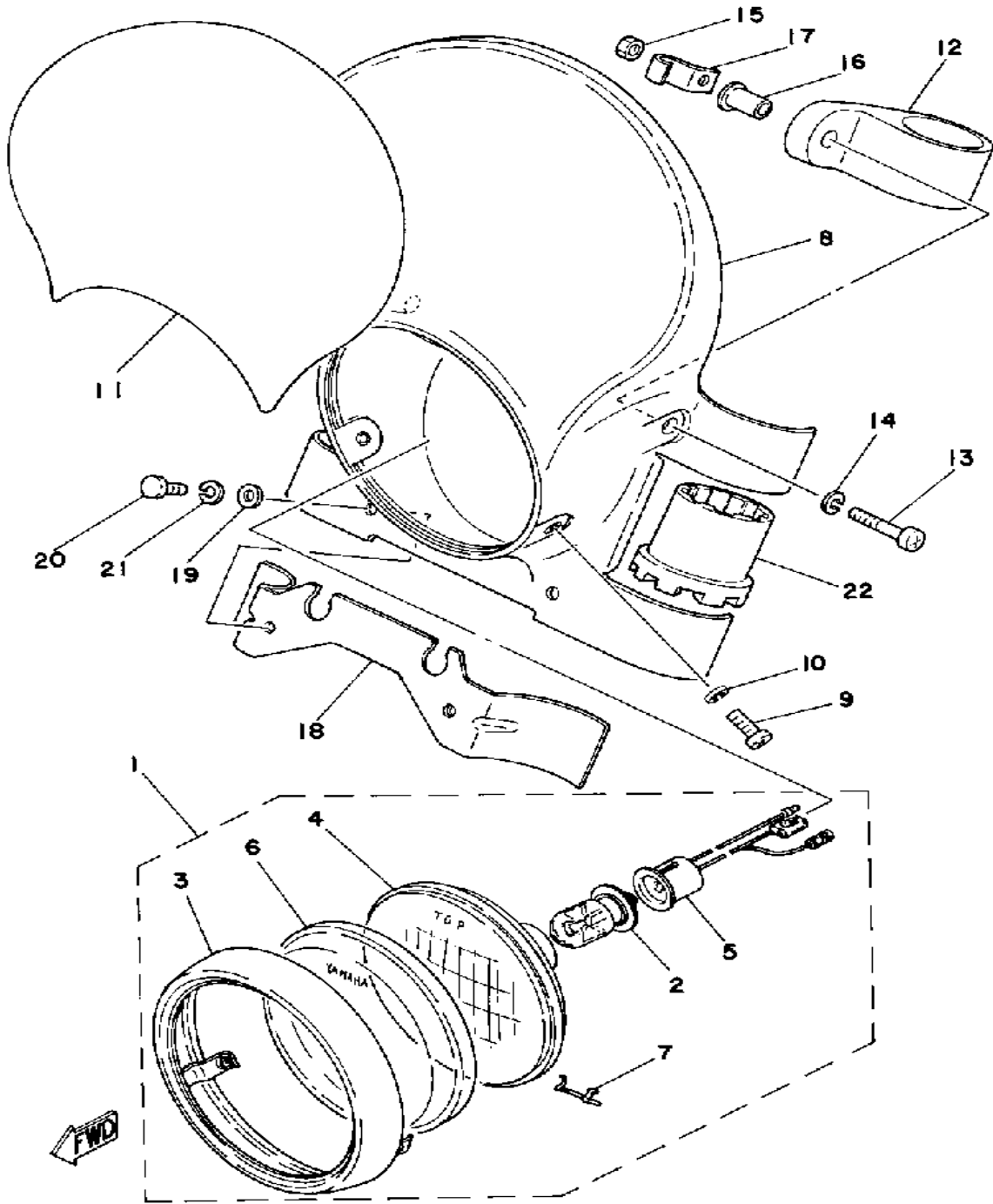
REAR WHEEL



Ref. No.	Part Number	Description	Qty	Remarks
26	583-25448-10-00	SPROCKET, DRIVN 48T (48T)	1	STD
27	583-25412-00-00	WASHER	3	
28	90170-08193-00	NUT, HEXAGON	6	
29	431-25367-00-00	COVER, HUB DUST	1	
30	90387-17555-00	COLLAR	1	
31	1M1-25388-01-00	PULLER, CHAIN 1	1	
32	1M1-25389-01-00	PULLER, CHAIN 2	1	
33	91701-08042-00	PIN, CLEVIS	2	
34	92901-08600-00	WASHER	2	
35	91401-25020-00	PIN, COTTER	2	
36	1W6-25381-00-00	AXLE, WHEEL	1	
37	92901-16100-00	WASHER, SPRING	1	
38	90179-16007-00	NUT, SPEC'L SHAPE	1	
39	9Y585-20101-00	CHAIN 520DS-103L (DID520DS-102L)	1	
40	94685-20001-00	. JOINT CHAIN	1	

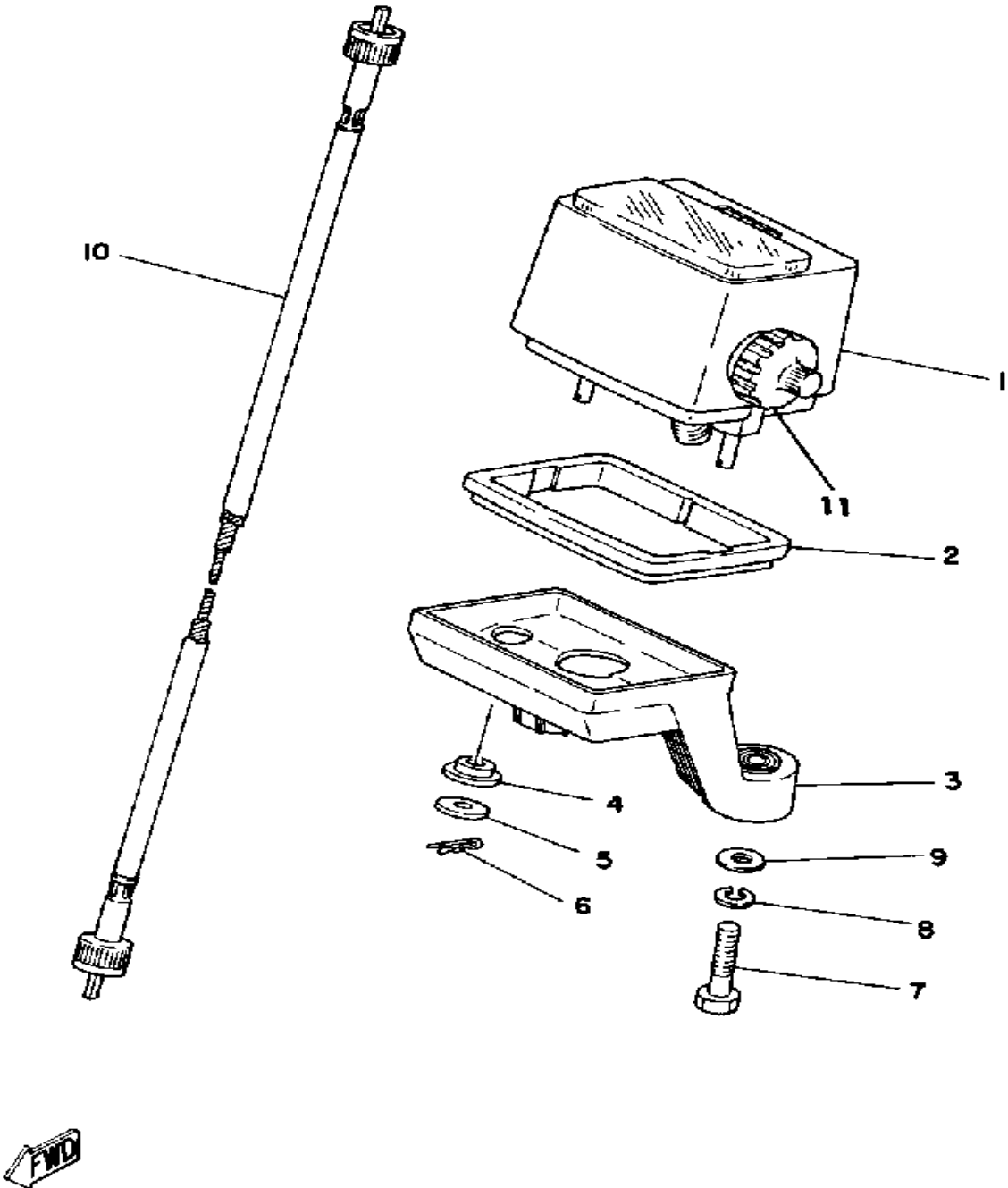
Minimum Brake Lining Thickness	Front: 2mm	Rear: 2mm
Tire Size (Nominal Pressure)	F:3.00-21 (psi - Optional) R: 5.10-18 (psi - Optional)	

HEADLIGHT



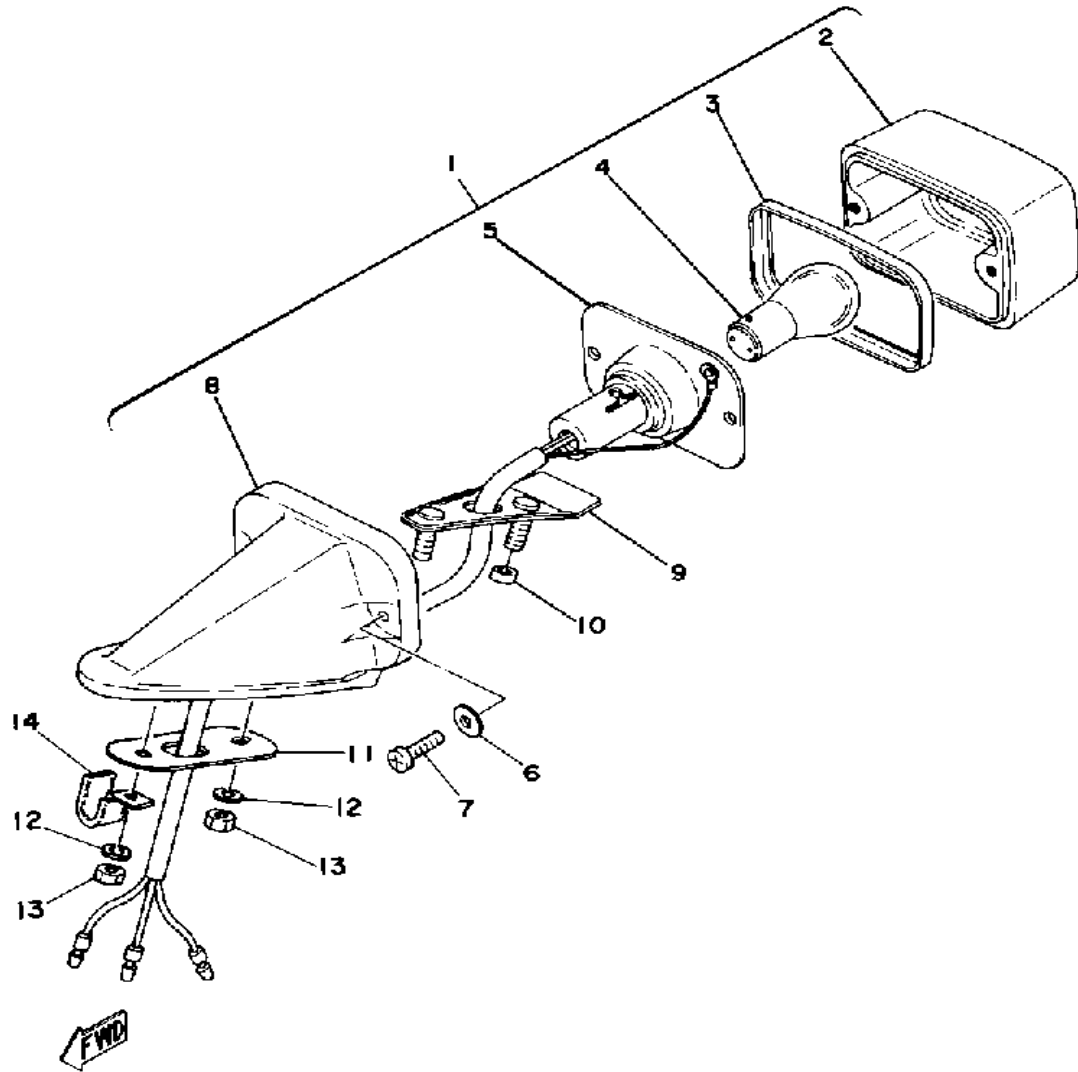
Ref. No.	Part Number	Description	Qty	Remarks
1	(3R8-84110-60-00)	UNAVAILABLE IN PRICE BOOK	1	N/A
	(3R8-84110-61-00)	UNAVAILABLE IN PRICE BOOK		
	0 1	1	6755
2	527-84114-09-XX	. BULB, HL 6V25/25W	1	
3	3R8-84115-60-00	. RIM, HEADLIGHT	1	
4	3R8-84120-60-00	. LENS ASSEMBLY	1	
5	1W2-84112-60-00	. SOCKET	1	
	3R8-84140-61-00	. SOCKET CORD ASSEMBLY 0 1	1	6755
6	3R8-84144-60-00	. COVER, HEADLIGHT	1	
7	1W2-84324-60-00	. SPRING, REFLECTOR	4	
8	3R8-84130-00-00	BODY ASSEMBLY, HEADLIGHT	1	SKY BLUE
9	98580-05016-00	SCREW, PAN HEAD	2	
10	92990-05100-00	WASHER, SPRING	2	
11	3R8-84141-01-00	EMBLEM, HEADLIGHT	1	
12	(3R8-84163-00-00)	DAMPER	2	
13	98580-06030-00	SCREW PAN HEAD	2	
14	90201-06407-00	WASHER, PLATE (90201-06747-00)	2	
15	90185-06062-00	NUT, SELF-LOCKING	2	
16	3R8-84133-00-00	COLLAR, SCREW	2	
17	90462-05005-00	CLAMP	1	
18	3R8-84181-00-00	BRACKET, LOWER 1	1	
19	90201-06571-00	WASHER, PLATE	2	
20	98580-06012-00	SCREW, PAN HEAD	2	
21	92995-06100-00	WASHER, SPRING	2	
22	3R8-84164-00-00	DAMPER	2	

METER



Ref. No.	Part Number	Description	Qty	Remarks
1	3R8-83570-60-00	SPEEDOMETER ASSEMBLY ..	1	MILE/H
2	3R8-83513-00-00	DAMPER	1	
3	3R8-83519-00-00	BRACKET, METER	1	
4	1M1-83526-00-00	DAMPER 2	2	
5	90201-052E2-00	WASHER, PLATE	2	
6	90468-10050-00	CLIP	2	
7	97021-06030-00	BOLT	2	
8	92995-06100-00	WASHER, SPRING	2	
9	92901-06600-00	WASHER	2	
10	3R8-83550-00-00	SPEEDOMETER CABLE	1	
11	3R8-83578-00-00	KNOB, TRIP METER	1	

LIGHTING SYSTEM	
Headlight / Taillight / Signal Rating	6V25-25W / 6V6.3W / ϕ
TROUBLESHOOTING	
Lighting Coil Color Code / Ω	Yel-Red ~ Blk / $0.43 \Omega \pm 10\%$

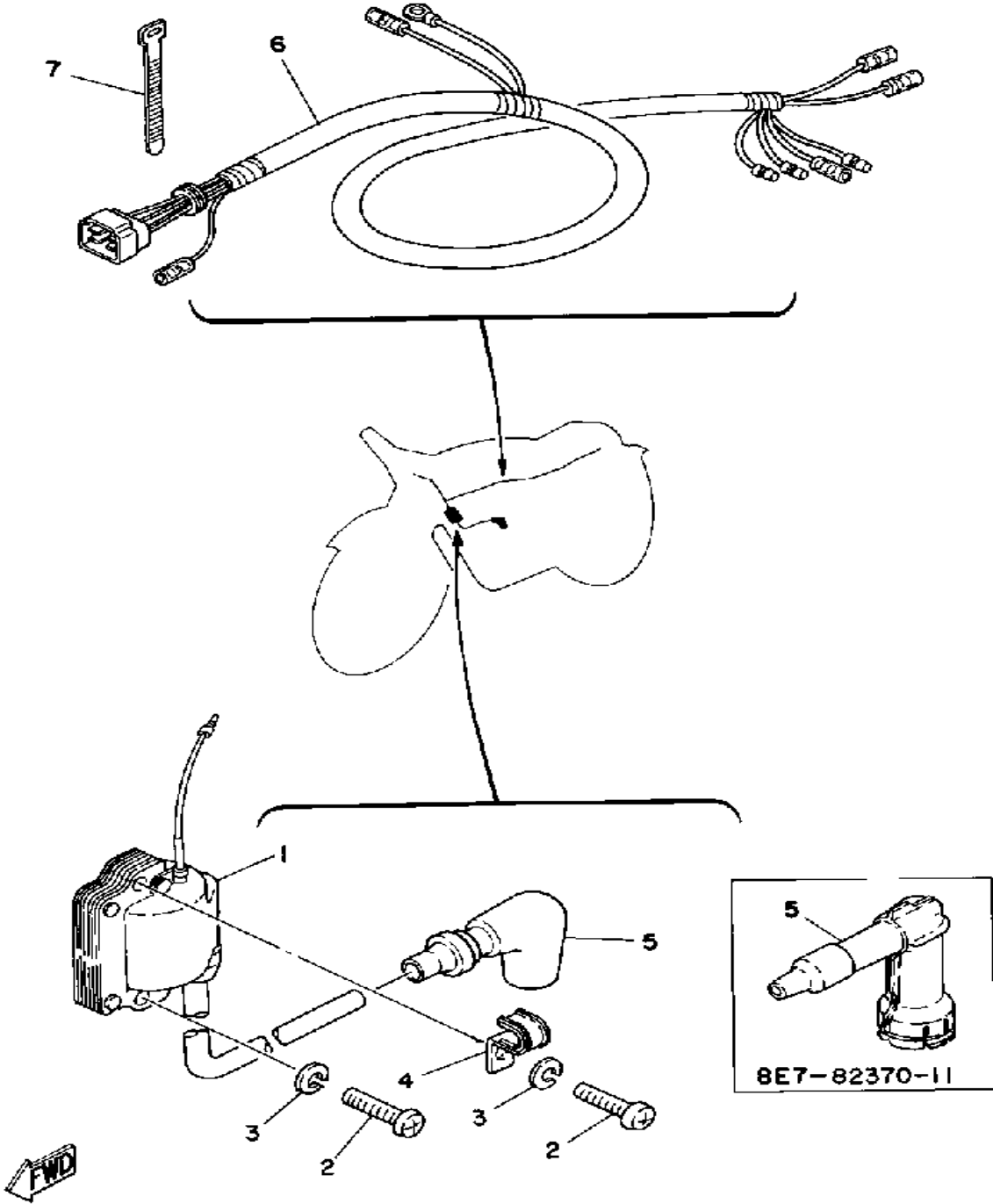


TAILLIGHT

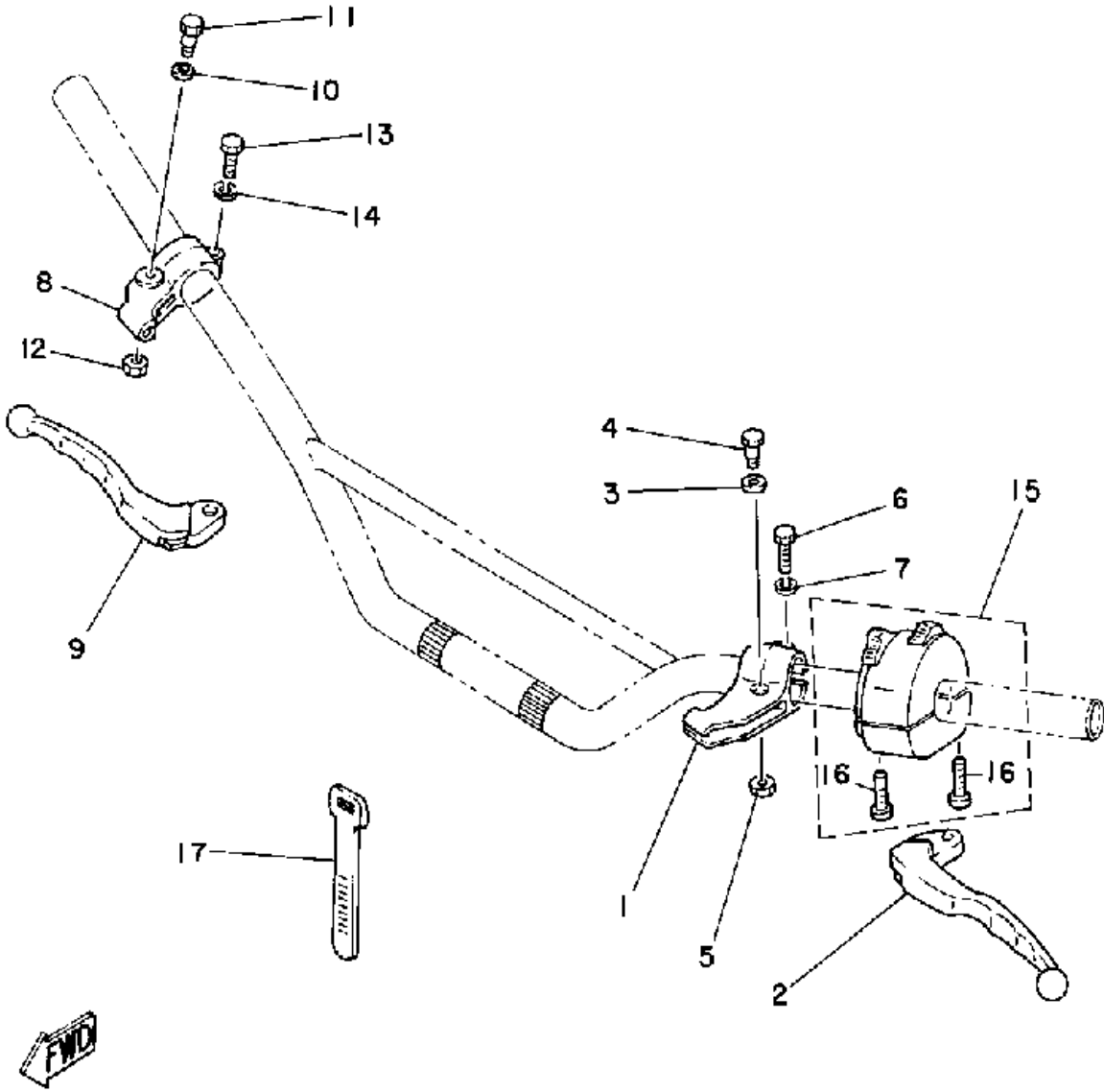
Ref. No.	Part Number	Description	Qty	Remarks
1	434-84500-64-00	TAILLIGHT ASSEMBLY	1	
2	434-84521-69-00	. LENS, TAILLIGHT	1	
3	434-84515-61-00	. RIM, TAILLIGHT	1	
4	122-84514-30-00	. BULB	1	
5	434-84517-61-00	. CORD, TAILLIGHT	1	
6	434-84522-62-00	. WASHER	2	
7	434-84524-61-00	. SCREW, LENS FITTING	2	
8	434-84519-64-00	. BRACKET, TAILLIGHT	1	
9	434-84500-64-00	. TAILLIGHT ASSEMBLY	1	
10	(434-84557-60-00)	COLLAR	2	
11	1W2-84525-00-00	WASHER, SPECIAL	1	
12	92990-05100-00	WASHER, SPRING	2	
13	95380-05600-00	NUT	2	
14	90462-05005-00	CLAMP	1	

ELECTRICAL 1

Ref. No.	Part Number	Description	Qty	Remarks
1	5G4-82310-40-00	IGNITION COIL ASSEMBLY (J17-82310-21)	1	
2	98511-06025-00	SCREW PAN HEAD (92501-06025)	2	
3	92995-06100-00	WASHER, SPRING	2	
4	90462-05005-00	CLAMP	1	
5	81E-82370-20-00	PLUG CAP ASSEMBLY	1	
	8E7-82370-11-00	PLUG CAP ASSEMBLY		W/NOISE6SUPPRESSOR
6	(3R8-82590-00-00)	WIRE HARNESS ASSEMBLY	1	
7	437-83936-01-00	BAND, SWITCH CORD	3	



HANDLE SWITCH-LEVER



Ref. No.	Part Number	Description	Qty	Remarks
1	214-82911-01-00	HOLDER, LEVER 1	1	
2	23X-83912-00-00	LEVER 1	1	
3	90201-08083-00	WASHER, PLATE	1	
4	90109-06797-00	BOLT	1	
5	95601-06100-00	NUT, U	1	
6	97003-06022-00	BOLT, HEXAGON (97301-06022)	1	
7	92995-06100-00	WASHER, SPRING	1	
8	516-82921-30-00	HOLDER, LEVER 2	1	
9	23X-83922-00-00	LEVER 2	1	
10	90201-08083-00	WASHER, PLATE	1	
11	90109-06797-00	BOLT	1	
12	95601-06100-00	NUT, U	1	
13	97003-06022-00	BOLT, HEXAGON (97301-06022)	1	
14	92995-06100-00	WASHER, SPRING	1	
15	3R8-83973-00-00	SWITCH, HANDLE 3	1	
16	98580-05020-00	SCREW, PAN HEAD	2	
17	437-83936-01-00	BAND, SWITCH CORD	2	

IT250G

1980 SERVICE DATA

△ Denotes addition to original bulletin.

This Bulletin replaces M79-050.
Please remove and destroy Bulletin M79-050.

MODEL — IBM I.D. NUMBER	IT250G	3R7
Initial Engine Number/Frame Number	3R7-000101 / 3R7-000101	
Basic Color(s)	Sky Blue	
Fuel Type/Fuel Tank Capacity/Reserve Capacity	Premium / 12 Lit. (3.2 Gal.) / φ	
Dry Vehicle Weight	109 kg (240 lbs.)	
ENGINE TYPE	2-Stroke, Air-Cooled, Reed Valve	
Bore/Stroke/Number Cylinders/Displacement (cc)	70mm / 64mm / 1 / 246cc	
Compression Ratio/Compression Pressure min~max	7.9:1 / N/A	
Piston Skirt Clearance new/max.	0.045 ~ 0.050mm / 0.1mm	
Ring End Gap Top/2nd/3rd	0.3 ~ 0.5mm / 0.3 ~ 0.5mm / φ	
Valve Clearance (cold) Intake/Exhaust	φ	
Oil Pressure Hot/rpm	φ	
Oiling System	Premix (32:1 with Yamalube R)	
Capacity: Dry	φ	
Oil and Filter Change	φ	
Oil Change	φ	
Lubricant: Temp above 5°C (40°F)	Yamalube R*	
Below 15°C (60°F)	Yamalube R*	
AUTOLUBE — Min. Stroke/Color Code	φ	
Minimum Output @ 200 cycles	φ	
Maximum Output @ 200 cycles	φ	
CARBURETOR — Mfr./Type/I.D. Number	Mikuni / VM36SS / 3R700	
Main Jet/Pilot Jet	400 / 70	
Needle Jet/Jet Needle-Clip Position	P-4 / 6F 15-2	
Slide Cutaway or Throttle Valve	2.0	
Float Level	18.1 ± 1mm	
Idle rpm	φ	
CO % @ Idle (Diagnostic Use Only)	φ	
SUSPENSION		
Front Forks: Oil Type/Level/Qty.	10 Wt. Fork Oil* / φ / 326cc	
Gas Pressure	φ	
Spring Length Std.	593.5mm	
Monoshock: Oil Type/Qty.	Not Rebuildable	
Gas Pressure	15 kg/cm ² (213 psi)	
Minimum Brake Lining Thickness	Front: 2mm Rear: 2mm	
Tire Size (Nominal Pressure)	F: 3.00-21 (psi - Optional) R: 5.10-18 (psi - Optional)	
TRANSMISSION — Oil Type/Qty Chg/Qty Reassemble	SAE 10W30 SE / 800cc / 850cc	
Primary Drive Type/Teeth/Ratio	Helical Gear / 60-23 / 2.608	
Secondary Drive Type/Teeth/Chain	Chain Drive / 48-13 / DK520DS-102L	
Clutch Friction Plate Thickness Std ~ Min.	3.0 ~ 2.7mm	
Clutch Spring Length Std ~ Min.	34.8 ~ 33.8mm	
Middle Gear Case Capacity	φ	
Final Gear Case Capacity	φ	
Gear Case Lubricant: Temp above 5°C (40°F)	φ	
Temp below 15°C (60°F)	φ	
All Weather Conditions	φ	

Service Copy: _____ Service Mgr. _____ Mechanic _____ Mechanic _____ Mechanic _____ Binder _____

Office Copy: _____ General Mgr. _____ Sales _____ Parts _____ Binder _____

©1979 YAMAHA MOTOR CORPORATION, U.S.A. CYPRESS, CALIF.

March 14, 1980 PAGE 1 OF 2

CHARGING SYSTEM	Flywheel Magneto
Battery: Model / Spec. Grav. / Chg. Rate	φ
Maximum Output	φ
TROUBLESHOOTING	
Field Coil Color Code / Ω	φ
Charge Coil Color Code / Ω	φ
IGNITION SYSTEM	Capacitor Discharge Ignition
Ignition Timing	2.4mm BTDC
Spark Plug Type	Champion N-2G
Spark Plug Gap / Torque / Cap Ω	0.6 ~ 0.7mm / 2.2 m·kg / φ
Point Gap / Condenser Capacitance	φ / φ
TROUBLESHOOTING	
Ignition Coil Test Gap / Primary Ω / Secondary Ω	6mm / 1.0 Ω ± 10% / 5.9K Ω ± 10%
Pulse Coil or Pick-up Coil Color Code / Ω	Wht-Red ~ Blk / 7.5 Ω ± 10%
Source Coil Color Code / Ω	△ Low: Brn ~ Gry / 370 Ω ± 10% High: Red ~ Blu / 35 Ω ± 10%
LIGHTING SYSTEM	
Headlight / Taillight / Signal Rating	6V25-25W / 6V5.3W / φ
TROUBLESHOOTING	
Lighting Coil Color Code / Ω	Yel-Red ~ Blk / 0.43 Ω ± 10%
TORQUE VALUES	
Front Axle Nut	15 x 1.5: 5.8 m·kg
Front Axle Holder Nut	φ
Rear Axle Nut	16 x 1.5: 7.8 m·kg
Rear Axle Pinch Bolt	φ
Clutch Nut	20 x 1.0: 7.5 m·kg
Drain Plug	14 x 1.25: 2.0 m·kg
Cylinder Head Cover	φ
Cylinder Head:	8 x 1.25: 2.5 m·kg
Engine Mounting Bolts: Front, Upper	8 x 1.25: 2.4 m·kg
Front, Lower	8 x 1.25: 2.4 m·kg
Rear, Upper	8 x 1.25: 2.4 m·kg
Rear, Lower	8 x 1.25: 2.4 m·kg

φ Does Not Apply to This Model

* Available From Yamaha Parts Distributors, Inc.

