



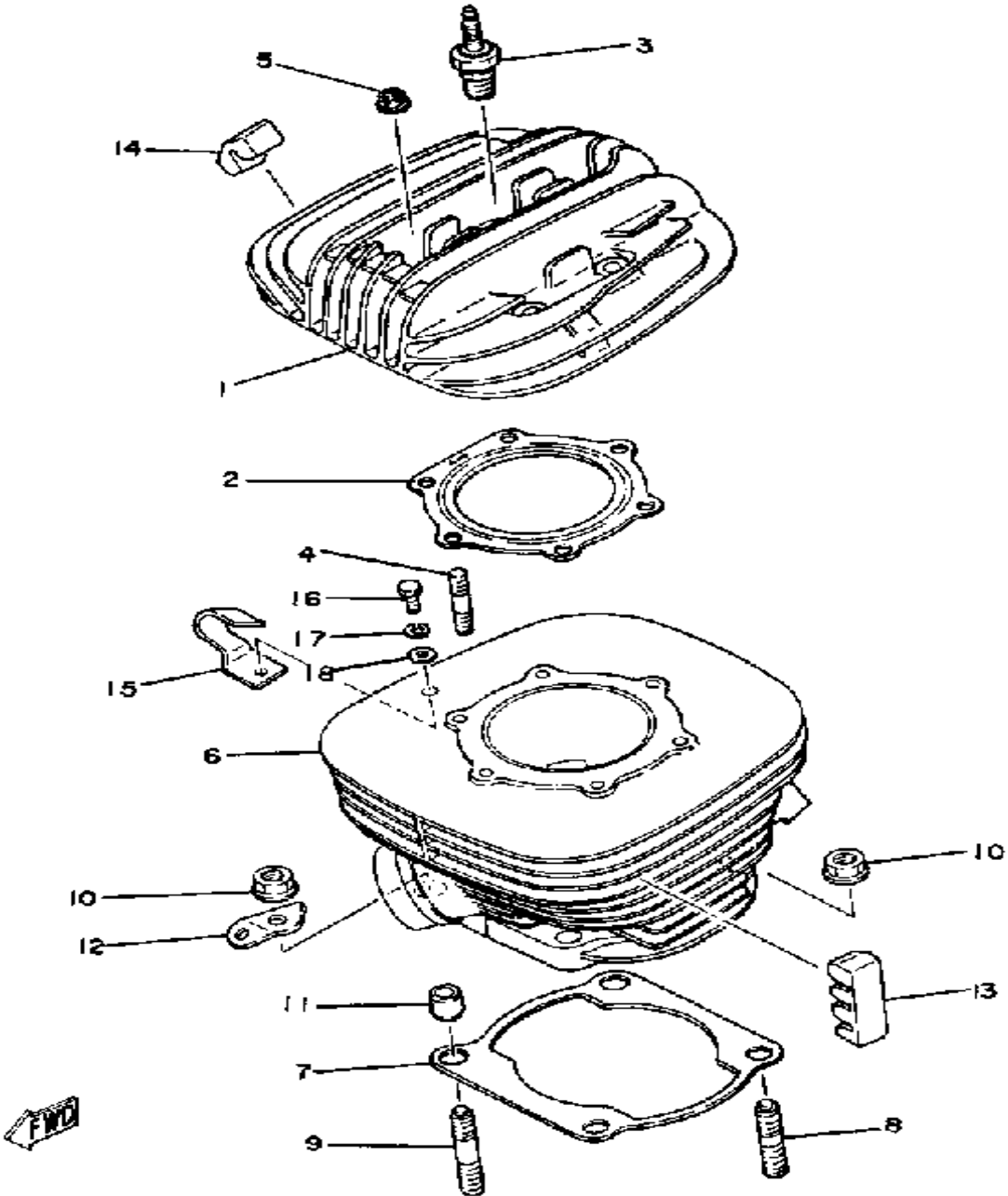
**YAMAHA**

**GENUINE**

**PARTS CATALOGUE**

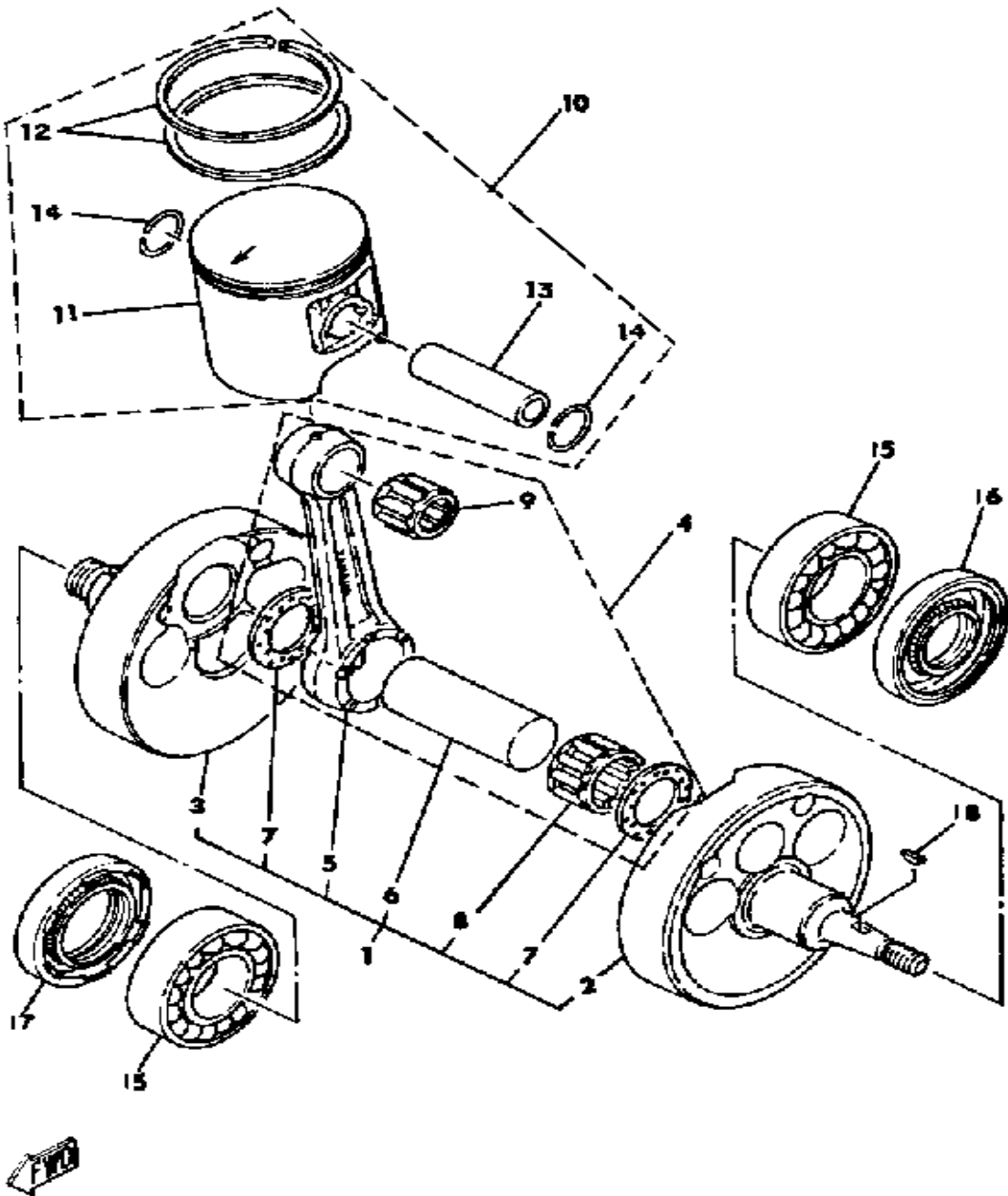
**MOTORCYCLE**

# CYLINDER



| Ref. No. | Part Number       | Description             | Qty | Remarks |
|----------|-------------------|-------------------------|-----|---------|
| 1        | (3R5-11111-00-00) | HEAD, CYLINDER 1        | 1   |         |
| 2        | 4V6-11181-00-00   | GASKET, CYLINDER HEAD 1 | 1   |         |
| 3        | NGK-B8ES0-00-00   | PLUG, SPARK (NGK B8ES)  | 1   | L.M.    |
| 4        | 90116-08321-00    | BOLT, STUD              | 6   |         |
| 5        | 90179-08491-00    | NUT, FLANGE             | 6   |         |
| 6        | 4V6-11311-00-00   | CYLINDER 1              | 1   |         |
| 7        | 40T-11351-00-00   | GASKET, CYLINDER        | 1   |         |
| 8        | 90116-12315-00    | BOLT, STUD              | 2   |         |
| 9        | 90116-12316-00    | BOLT, STUD              | 2   |         |
| 10       | 95701-12500-00    | NUT, FLANGE             | 4   |         |
| 11       | 91810-17016-00    | PIN, DOWEL              | 2   |         |
| 12       | 3R5-14619-00-00   | HOOK, SPRING            | 1   |         |
| 13       | 2N6-11127-00-00   | ABSORBER 3              | 2   |         |
| 14       | 4V5-11161-00-00   | ABSORBER 1              | 1   |         |
| 15       | 4V5-1131E-00-00   | HOLDER 1                | 1   |         |
| 16       | 97301-06014-00    | BOLT, HEXAGON           | 1   |         |
| 17       | 92995-06100-00    | WASHER, SPRING          | 1   |         |
| 18       | 90201-063J2-00    | WASHER, PLATE           | 1   |         |

# CRANKSHAFT-PISTON

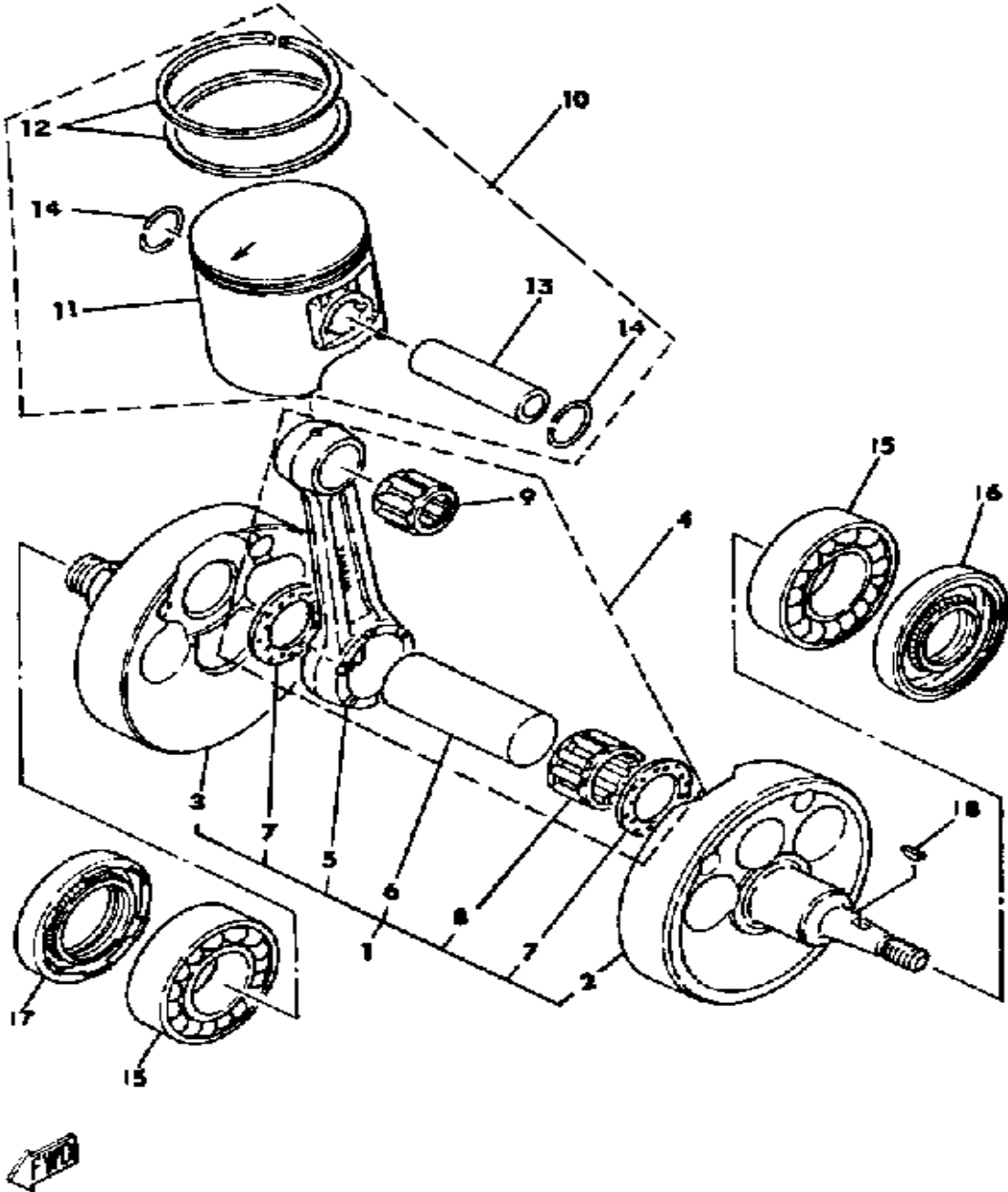


| Ref. No. | Part Number       | Description                     | Qty | Remarks  |
|----------|-------------------|---------------------------------|-----|----------|
| 1        | (4V6-11400-00-00) | CRANKSHAFT ASSEMBLY ...         | 1   |          |
| 2        | 4V6-11412-00-00   | . CRANK 1 .....                 | 1   |          |
| 3        | (4V6-11422-00-00) | CRANK 2 .....                   | 1   |          |
| 4        | 3R5-11650-00-00   | . CONNECTING ROD ASSEMBLY ..... | 1   | ASSEMBLY |
| 5        | 3R5-11651-00-00   | .. ROD, CONNECTING .....        | 1   |          |
| 6        | 3R8-11681-00-00   | .. PIN, CRANK 1 .....           | 1   |          |
| 7        | 90209-25085-00    | .. WASHER .....                 | 2   |          |
| 8        | 93310-425N4-00    | .. BEARING, CYLINDER.# 0 ..     | 1   |          |
| 9        | 93310-418E9-00    | . BEARING, CYLINDRICAL ...      | 1   |          |
| 10       | (4V6-11630-00-00) | PISTON KIT STD .....            | 1   |          |
| 11       | 4V6-11631-00-94   | . PISTON STD .....              | 1   |          |
| 12       | 4V6-11610-00-00   | . PISTON RINGSET STD .....      | 1   |          |
| 13       | 275-11633-00-00   | . PIN, PISTON (1W4-11633-00) .  | 1   |          |
| 14       | 93450-19052-00    | . CIRCLIP .....                 | 2   |          |
| 15       | 93306-30615-00    | BEARING (B6306) .....           | 2   |          |
| 16       | 93103-30150-00    | OIL SEAL (38W) .....            | 1   |          |
| 17       | 93103-40091-00    | OIL SEAL, SW-TYPE .....         | 1   |          |
| 18       | 4V6-11610-10-00   | PISTON RINGSET 1ST .....        | 1   |          |
|          | 4V6-11610-20-00   | PISTON RINGSET 2ND .....        | 1   |          |
|          | 4V6-11610-30-00   | PISTON RINGSET 3RD .....        | 1   |          |
|          | 4V6-11610-40-00   | PISTON RINGSET 4TH .....        | 1   |          |
|          | 4V6-11630-10-00   | PISTON KIT 1ST .....            | 1   |          |
|          | 4V6-11630-30-00   | PISTON KIT 3RD .....            | 1   |          |
|          | 4V6-11630-40-00   | PISTON KIT 4TH .....            | 1   |          |
|          | 4V6-11635-00-00   | PISTON 1 O/S 0.5 .....          | 1   |          |
|          | 4V6-11636-00-00   | PISTON 2 O/S 0.0 .....          | 1   |          |
|          | 4V6-11637-00-00   | PISTON 3 O/S 0.5 .....          | 1   |          |
|          | 4V6-11638-00-00   | PISTON 4 O/S 1.0 .....          | 1   |          |

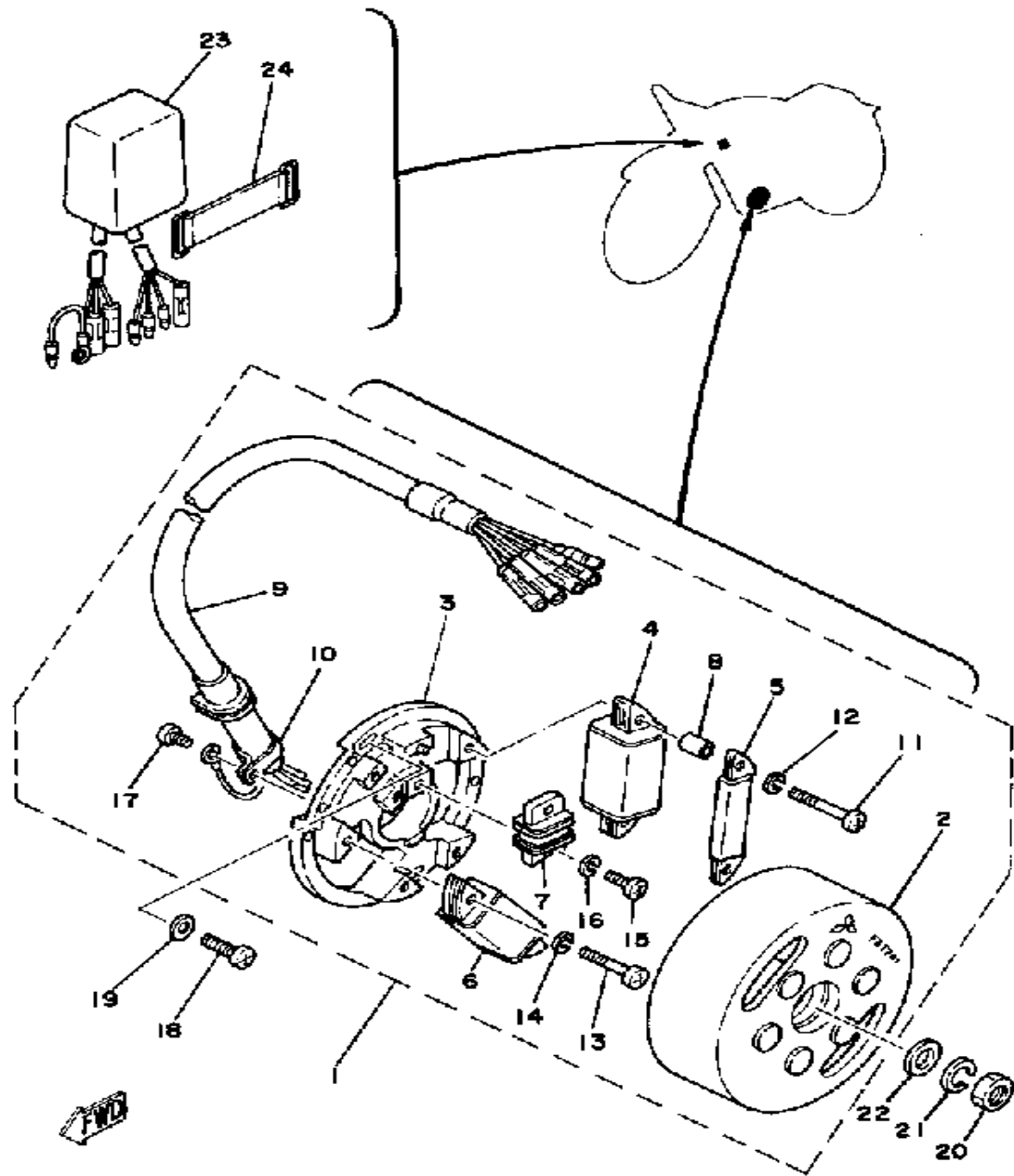
CONTINUED ON NEXT FRAME ►

# CRANKSHAFT-PISTON

| Ref. No. | Part Number    | Description         | Qty | Remarks |
|----------|----------------|---------------------|-----|---------|
| 18       | 90280-03017-00 | KEY, WOODRUFF ..... | 1   |         |

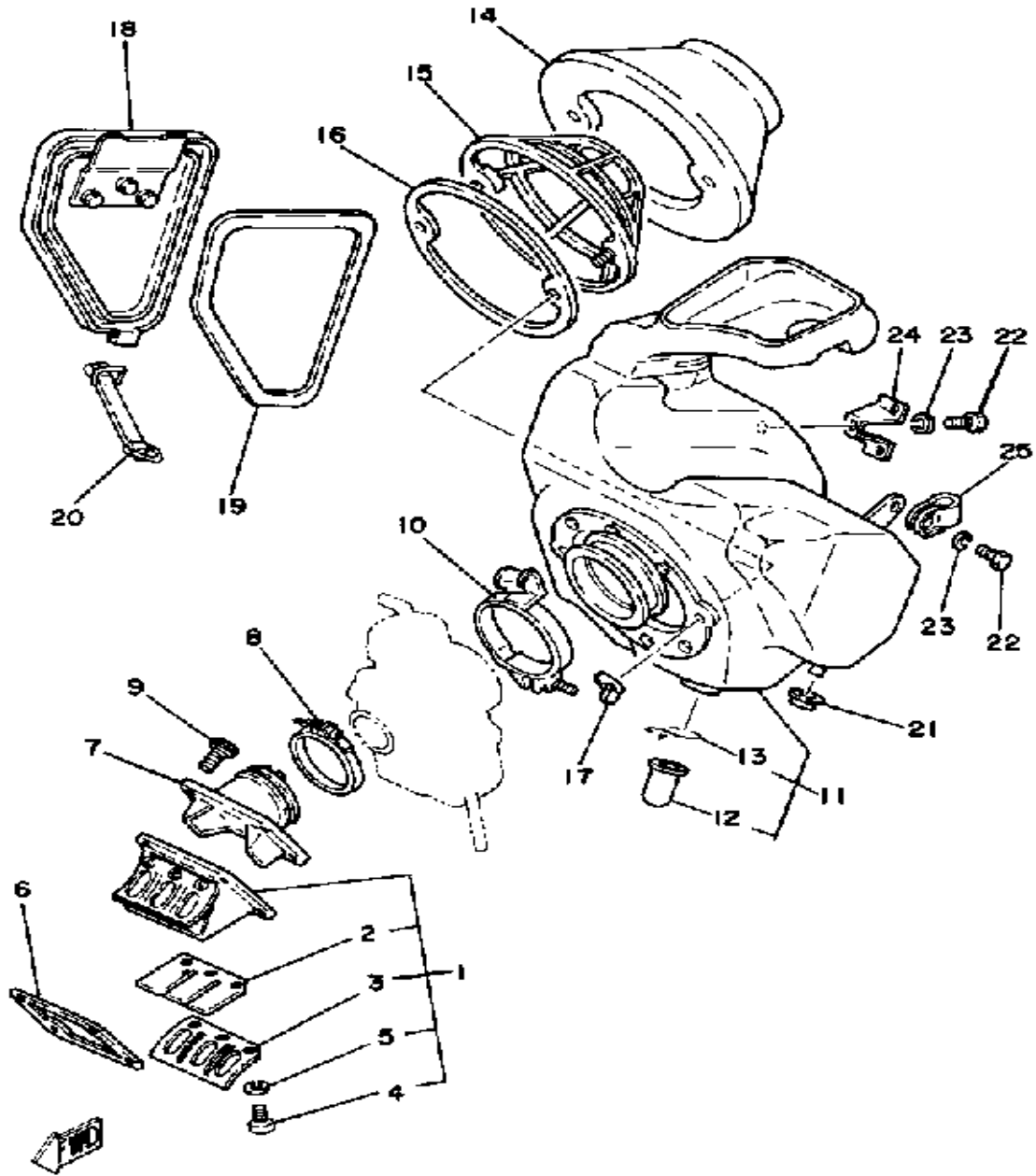


# C - D - I - MAGNETO



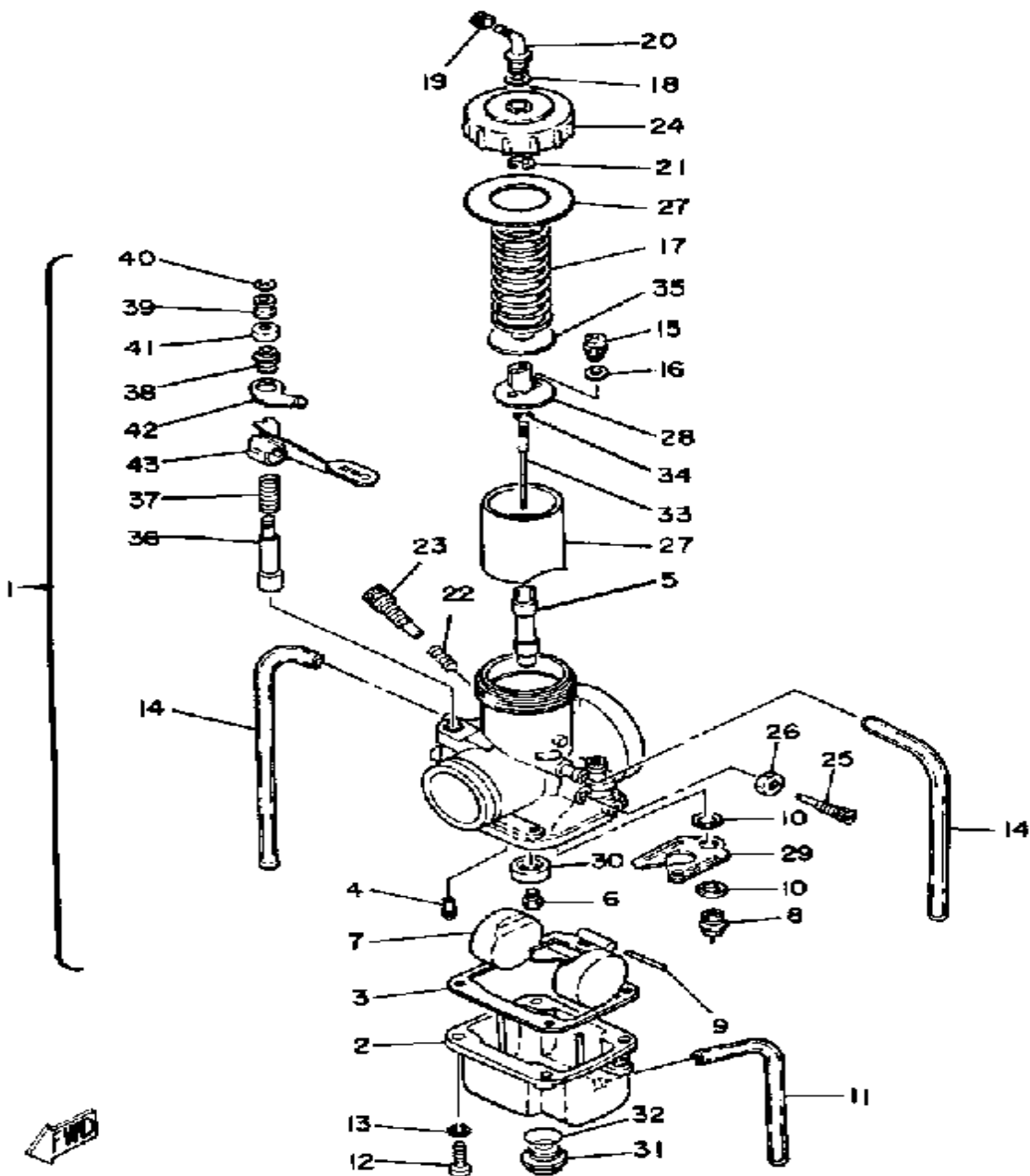
| Ref. No. | Part Number       | Description               | Qty | Remarks |
|----------|-------------------|---------------------------|-----|---------|
| 1        | 4V6-85500-20-00   | CDI MAGNETO ASSEMBLY ...  | 1   |         |
| 2        | 3R5-85550-20-00   | . ROTOR ASSEMBLY .....    | 1   |         |
| 3        | 3R5-85509-20-00   | . BASE, MAGNETO .....     | 1   |         |
| 4        | 3R5-85511-20-00   | . COIL SOURCE 1 .....     | 1   |         |
| 5        | 3R5-85512-20-00   | . COIL SOURCE 2 .....     | 1   |         |
| 6        | 4V6-85513-20-00   | . COIL, LIGHTING 1 .....  | 1   |         |
| 7        | 4V6-85580-20-00   | . COIL, PULSER .....      | 1   |         |
| 8        | 1W2-85516-20-00   | . SPACER .....            | 2   |         |
| 9        | (4V6-85515-20-00) | LEAD WIRE ASSEMBLY .....  | 1   |         |
| 10       | 104-81328-20-00   | . CLAMP .....             | 1   |         |
| 11       | 98501-04035-00    | . SCREW, PAN HEAD .....   | 2   |         |
| 12       | 92901-04100-00    | . WASHER, SPRING .....    | 2   |         |
| 13       | 98511-04030-00    | . SCREW, PAN HEAD .....   | 2   |         |
| 14       | 92901-04100-00    | . WASHER, SPRING .....    | 2   |         |
| 15       | 98503-04014-00    | . SCREW, PAN HEAD .....   | 1   |         |
| 16       | 92901-04100-00    | . WASHER, SPRING .....    | 1   |         |
| 17       | 97601-04106-00    | . SCREW, PN/HD.W/WSHR ... | 1   |         |
| 18       | 98580-06020-00    | SCREW .....               | 2   |         |
| 19       | 92901-06600-00    | WASHER .....              | 2   |         |
| 20       | 90170-12347-00    | NUT, HEXAGON .....        | 1   |         |
| 21       | 92901-12100-00    | WASHER, SPRING .....      | 1   |         |
| 22       | 90201-12593-00    | WASHER, PLATE .....       | 1   |         |
| 23       | 3R5-85540-20-00   | CDI UNIT ASSEMBLY .....   | 1   |         |
| 24       | 21V-21376-00-00   | BAND, TOOL .....          | 1   |         |

# INTAKE



| Ref. No. | Part Number       | Description                    | Qty | Remarks |
|----------|-------------------|--------------------------------|-----|---------|
| 1        | 3R5-13610-00-00   | REED VALVE ASSEMBLY            | 1   |         |
| 2        | 3R5-13613-00-00   | . REED, VALVE                  | 1   |         |
| 3        | 2X5-13616-00-00   | . STOPPER, REED VALVE          | 2   |         |
| 4        | 98580-03008-00    | . SCREW, PAN HEAD              | 6   |         |
| 5        | 92990-03100-00    | . WASHER, SPRING (92901-03100) | 6   |         |
| 6        | 80L-13621-01-00   | GASKET, VALVE SEAT             | 1   |         |
| 7        | 3R4-13565-00-00   | JOINT, CARBURETOR              | 1   |         |
| 8        | 90460-51109-00    | CLAMP, HOSE                    | 1   |         |
| 9        | 91316-06020-00    | BOLT, SOCKET HEAD              | 4   |         |
| 10       | 90460-68231-00    | CLAMP, HOSE                    | 1   |         |
| 11       | (4V5-W1441-00-00) | AIR CLEANER CASE               | 1   |         |
| 12       | 1W4-14457-00-00   | . SEAL                         | 1   |         |
| 13       | 90467-20030-00    | . CLIP                         | 1   |         |
| 14       | 3R4-W1442-01-00   | ELEMENT, AIR CLNR              | 1   |         |
| 15       | 3R4-14458-00-00   | GUIDE, ELEMENT                 | 1   |         |
| 16       | (4V4-14459-00-00) | HOLDER, GUIDE                  | 1   |         |
| 17       | 90175-06008-00    | NUT, WING                      | 2   |         |
| 18       | 4V5-14412-00-00   | CAP, CLEANER CASE 1            | 1   |         |
| 19       | 5X5-14452-00-00   | SEAL                           | 1   |         |
| 20       | 4V5-14455-00-00   | BAND                           | 1   |         |
| 21       | 90480-13398-00    | GROMMET                        | 1   |         |
| 22       | 97313-06016-00    | BOLT, HEXAGON                  | 4   |         |
| 23       | 92995-06100-00    | WASHER, SPRING                 | 4   |         |
| 24       | 4V4-14484-00-00   | PLATE, CLNR CS FTNG            | 1   |         |
| 25       | 4V4-14499-00-00   | STAY 2                         | 1   |         |

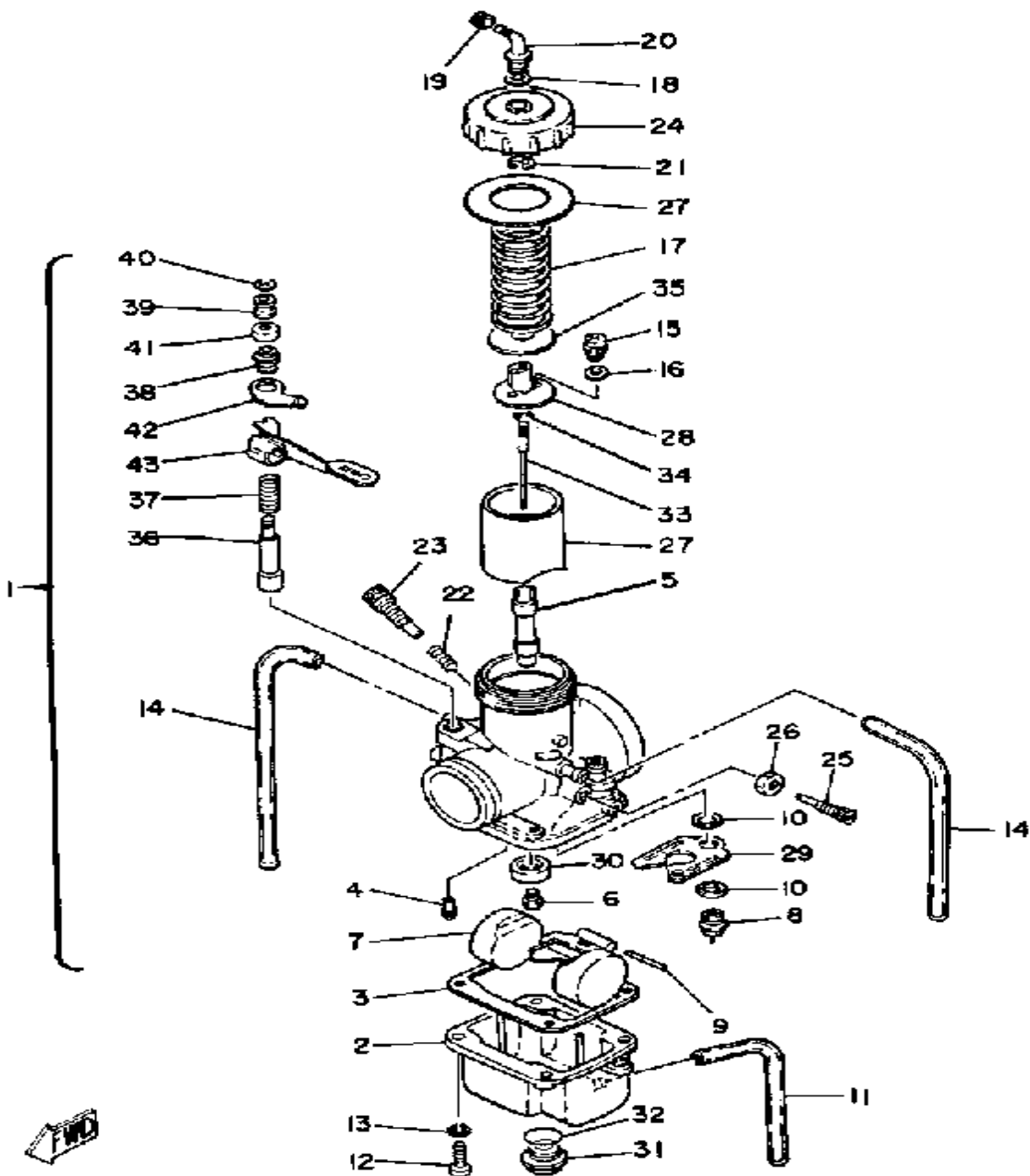
# CARBURETOR



| Ref. No. | Part Number       | Description                       | Qty | Remarks  |
|----------|-------------------|-----------------------------------|-----|----------|
| 1        | 4V6-14101-10-00   | CARBURETOR ASSEMBLY 1             | 1   |          |
| 2        | (3R4-14181-16-00) | BODY, FLOAT CHMBR 1               | 1   |          |
| 3        | 363-14184-00-00   | . GASKET, FLOAT CHMBR             | 1   |          |
| 4        | 193-14142-35-00   | . JET, PILOT # 5                  | 1   |          |
| 5        | 510-14141-48-00   | . NOZZLE, MAIN (250G)             | 1   |          |
| 6        | 137-14143-74-00   | . JET, MAIN (#370)                | 1   | U.R.     |
|          | 137-14143-76-00   | . JET, MAIN (#380)                | 1   | U.R. STD |
|          | 137-14143-78-00   | . JET, MAIN (#390)                | 1   | U.R.     |
| 7        | 2N7-14185-00-00   | . FLOAT                           | 1   |          |
| 8        | 23X-14107-35-00   | . NEEDLE VALVE SET                | 1   |          |
| 9        | 537-14186-00-00   | . PIN, FLOAT                      | 1   |          |
| 10       | 239-14195-00-00   | . WASHER, NEEDLE VALVE            | 2   |          |
| 11       | 3Y3-14196-00-00   | . PIPE, OVERFLOW                  | 1   |          |
| 12       | 98580-05016-00    | . SCREW, PAN HEAD                 | 4   |          |
| 13       | 92990-05100-00    | . WASHER, SPRING                  | 4   |          |
| 14       | 310-14197-00-00   | . PIPE, AIRVENT                   | 2   |          |
| 15       | 98580-03008-00    | . SCREW, PAN HEAD                 | 2   |          |
| 16       | 92902-03600-00    | . WASHER                          | 2   |          |
| 17       | 363-14131-00-00   | . SPRING, THROTTLE VALVE          | 1   |          |
| 18       | 8F2-14147-00-00   | . O-RING                          | 1   |          |
| 19       | 127-14161-00-00   | . NUT, CABLE ADJUSTING            | 1   |          |
| 20       | 26A-14106-00-00   | . CBLE AJST SCRW SET              | 1   |          |
| 21       | 363-14137-00-00   | . CLIP                            | 1   |          |
| 22       | 137-14133-00-00   | . SPRING, THRTL STOP              | 1   |          |
| 23       | 26A-14104-00-00   | . AIR SCREW SET<br>(1W3-14123-00) | 1   |          |
| 24       | 3R4-14158-00-00   | . TOP, MIXING CHAMBER             | 1   |          |
| 25       | 23X-14103-00-00   | . THROTTLE SCREW SET              | 1   |          |
| 26       | 802-14161-00-00   | . NUT, CABLE ADJUSTING            | 1   |          |

CONTINUED ON NEXT FRAME ►

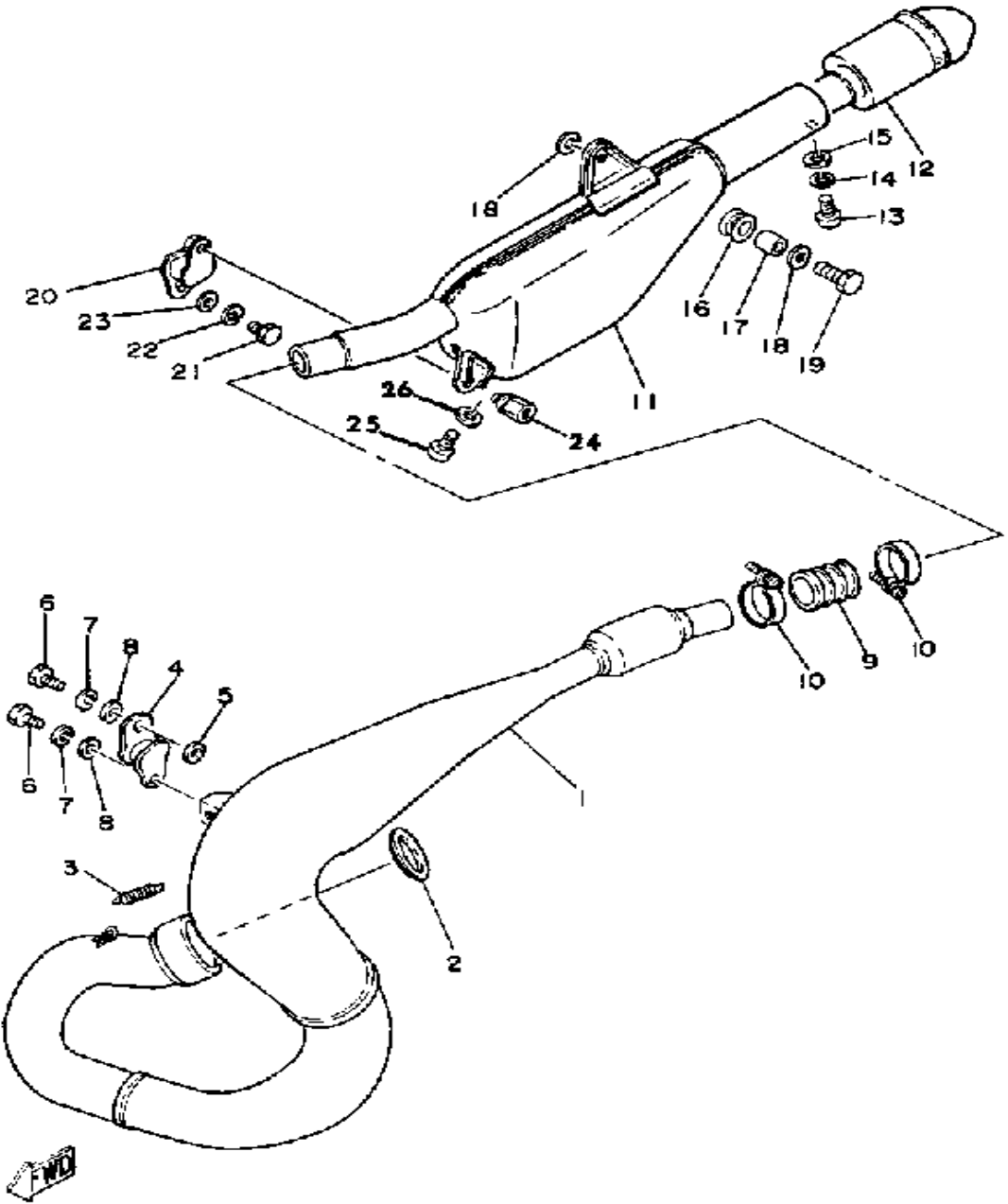
# CARBURETOR



| Ref. No. | Part Number       | Description                               | Qty | Remarks |
|----------|-------------------|-------------------------------------------|-----|---------|
| 27       | 2X8-14112-20-00   | . VALVE, THROTTLE 1                       | 1   |         |
| 28       | 509-14274-00-00   | . CONNECTOR                               | 1   |         |
| 29       | 3R4-14146-00-00   | . PLATE                                   | 1   |         |
| 30       | 2X8-14153-00-00   | . WASHER, MAIN JET                        | 1   |         |
| 31       | 510-14115-00-00   | . PLUG, SCREW                             | 1   |         |
| 32       | 558-14147-00-00   | . O-RING                                  | 1   |         |
| 33       | 239-14116-39-00   | . NEEDLE                                  | 1   |         |
| 34       | 164-14137-00-00   | . CLIP                                    | 1   |         |
| 35       | 509-14136-00-00   | . SEAT, SPRING                            | 1   |         |
| 36       | 1W1-14171-00-00   | . PLUNGER, STARTER                        | 1   |         |
| 37       | 256-14135-00-00   | . SPRING, PLUNGER                         | 1   |         |
| 38       | 802-14174-00-00   | . CAP, PLUNGER                            | 1   |         |
| 39       | 737-14241-00-00   | . BUSH                                    | 1   |         |
| 40       | 737-14137-00-00   | . CLIP                                    | 1   |         |
| 41       | (2X7-14173-00-00) | COVER, PLUNGER CAP                        | 1   |         |
| 42       | (1W3-14178-00-00) | PLATE, STARTER LVR                        | 1   |         |
| 43       | 1W3-14175-00-00   | . COVER, PLUNGER CAP<br>(1W3-14173-00-00) | 1   |         |

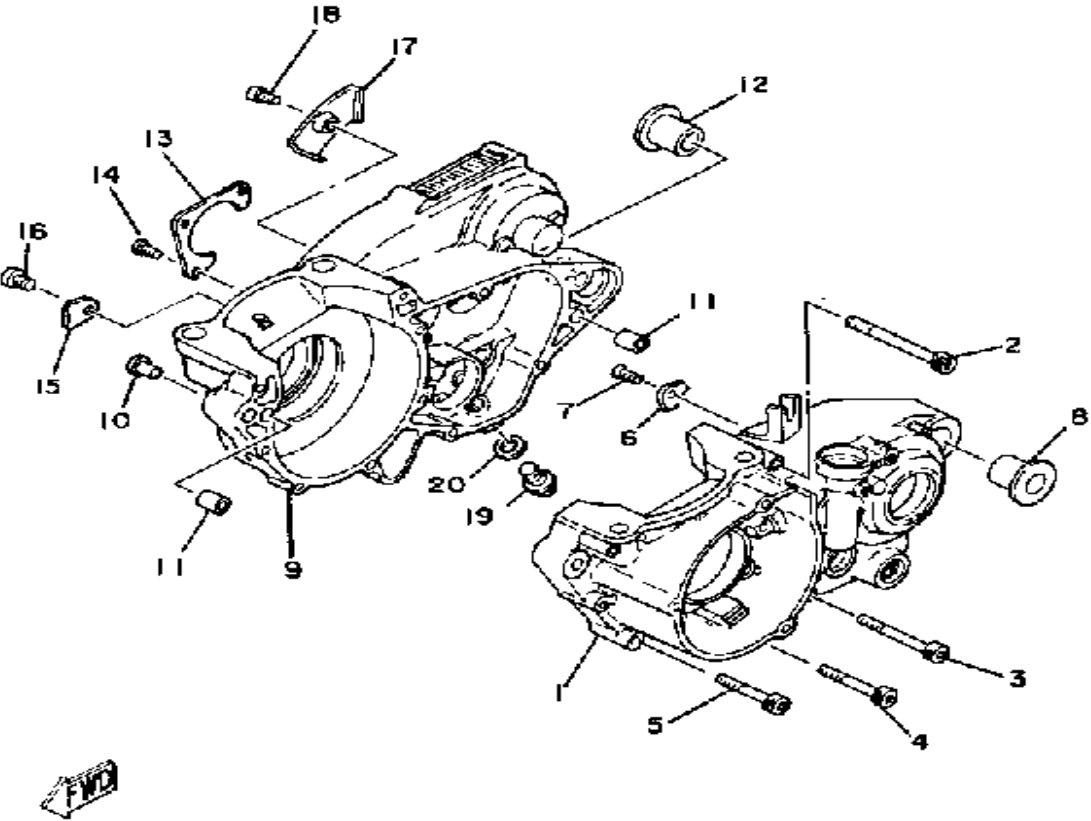
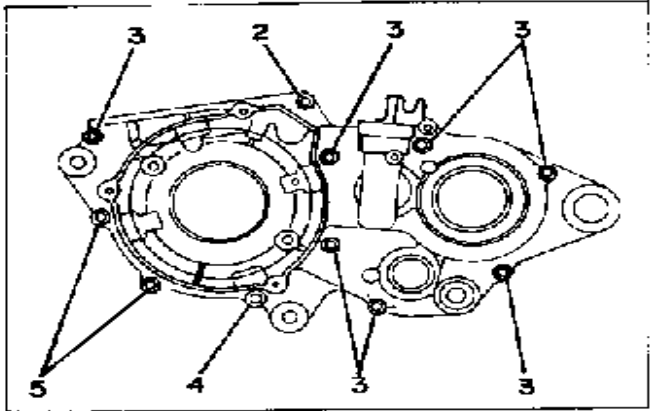


# EXHAUST



| Ref. No. | Part Number     | Description                                 | Qty | Remarks |
|----------|-----------------|---------------------------------------------|-----|---------|
| 1        | 4V6-14610-00-00 | EXHAUST PIPE ASSEMBLY L .                   | 1   |         |
| 2        | 3R4-14613-00-00 | GASKET, EXST PIPE . . . . .                 | 1   |         |
| 3        | 90507-20030-00  | SPRING, TENSION . . . . .                   | 3   |         |
| 4        | 3R4-14781-03-00 | STAY, MUFFLER 2<br>(3R4-14781-01) . . . . . | 1   |         |
| 5        | 92990-08200-00  | WASHER, PLAIN . . . . .                     | 1   |         |
| 6        | 97313-08018-00  | BOLT, HEXAGON (97301-08016)                 | 2   |         |
| 7        | 92990-08100-00  | WASHER . . . . .                            | 2   |         |
| 8        | 92901-08600-00  | WASHER . . . . .                            | 2   |         |
| 9        | 1M1-14714-00-00 | GASKET, MUFFLER . . . . .                   | 1   |         |
| 10       | 90460-43053-00  | CLAMP, HOSE . . . . .                       | 2   |         |
| 11       | 4V5-14753-00-00 | SILENCER, EXHAUST . . . . .                 | 1   |         |
| 12       | 4V5-14752-00-00 | PIPE, OUTLET . . . . .                      | 1   |         |
| 13       | 98580-06012-00  | SCREW, PAN HEAD . . . . .                   | 1   |         |
| 14       | 92995-06100-00  | WASHER, SPRING . . . . .                    | 1   |         |
| 15       | 92901-06600-00  | WASHER . . . . .                            | 1   |         |
| 16       | 565-14747-00-00 | DAMPER, MUFFLER . . . . .                   | 1   |         |
| 17       | 90387-08258-00  | COLLAR . . . . .                            | 1   |         |
| 18       | 90201-085E6-00  | WASHER PLATE . . . . .                      | 2   |         |
| 19       | 90109-08512-00  | BOLT . . . . .                              | 1   |         |
| 20       | 565-14771-00-00 | STAY, MUFFLER 1 . . . . .                   | 1   |         |
| 21       | 97313-06016-00  | BOLT, HEXAGON . . . . .                     | 1   |         |
| 22       | 92995-06100-00  | WASHER, SPRING . . . . .                    | 1   |         |
| 23       | 92901-06600-00  | WASHER . . . . .                            | 1   |         |
| 24       | 90109-06551-00  | BOLT . . . . .                              | 1   |         |
| 25       | 98580-06008-00  | SCREW, PAN HEAD . . . . .                   | 1   |         |
| 26       | 90202-05187-00  | WASHER, PLATE . . . . .                     | 1   |         |

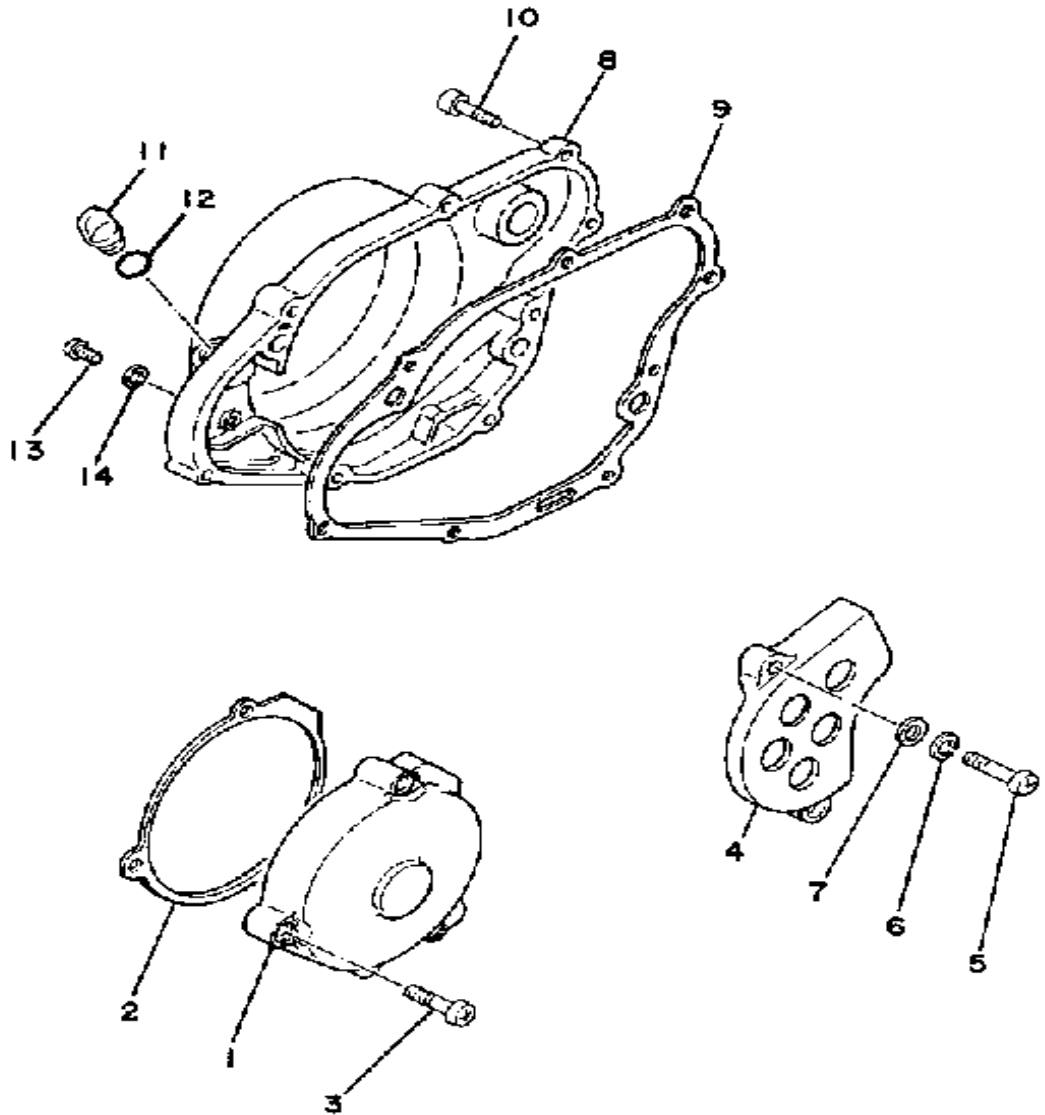
# CRANKCASE



| Ref. No. | Part Number     | Description                    | Qty | Remarks |
|----------|-----------------|--------------------------------|-----|---------|
| 1        | 99999-01366-00  | CRANKCASE SET (3R5)            | 1   |         |
| 2        | 91316-06075-00  | BOLT, SOCKET HEAD              | 1   |         |
| 3        | 91316-06060-00  | BOLT                           | 7   |         |
| 4        | 91316-06050-00  | BOLT, SOCKET HEAD              | 1   |         |
| 5        | 91316-06045-00  | BOLT, SOCKET HEAD              | 2   |         |
| 6        | 3AK-15383-01-00 | PLATE, BRNG COVER              | 1   |         |
| 7        | 98603-06012-00  | SCREW, OVAL HEAD (92701-06012) | 1   |         |
| 8        | 90387-16776-00  | COLLAR                         | 1   |         |
| 9        | 99999-01366-00  | CRANKCASE SET (3R5)            | 1   |         |
| 10       | 90338-07011-00  | PLUG, SPEC'L SHAPE             | 1   |         |
| 11       | 99510-12016-00  | PIN, DOWEL                     | 4   |         |
| 12       | 90387-16776-00  | COLLAR                         | 1   |         |
| 13       | 3R4-15381-00-00 | PLATE, BEARING COVER           | 1   |         |
| 14       | 98580-06012-00  | SCREW, PAN HEAD                | 3   |         |
| 15       | 4V4-15118-00-00 | HOLDER                         | 1   |         |
| 16       | 98580-06010-00  | SCREW, PAN HEAD (92503-06010)  | 1   |         |
| 17       | 3R4-15113-00-00 | PLATE                          | 1   |         |
| 18       | 98580-06012-00  | SCREW, PAN HEAD                | 1   |         |
| 19       | 90340-12097-00  | PLUG, STRAIGHT SCREW           | 1   |         |
| 20       | 90430-12207-00  | GASKET                         | 1   |         |

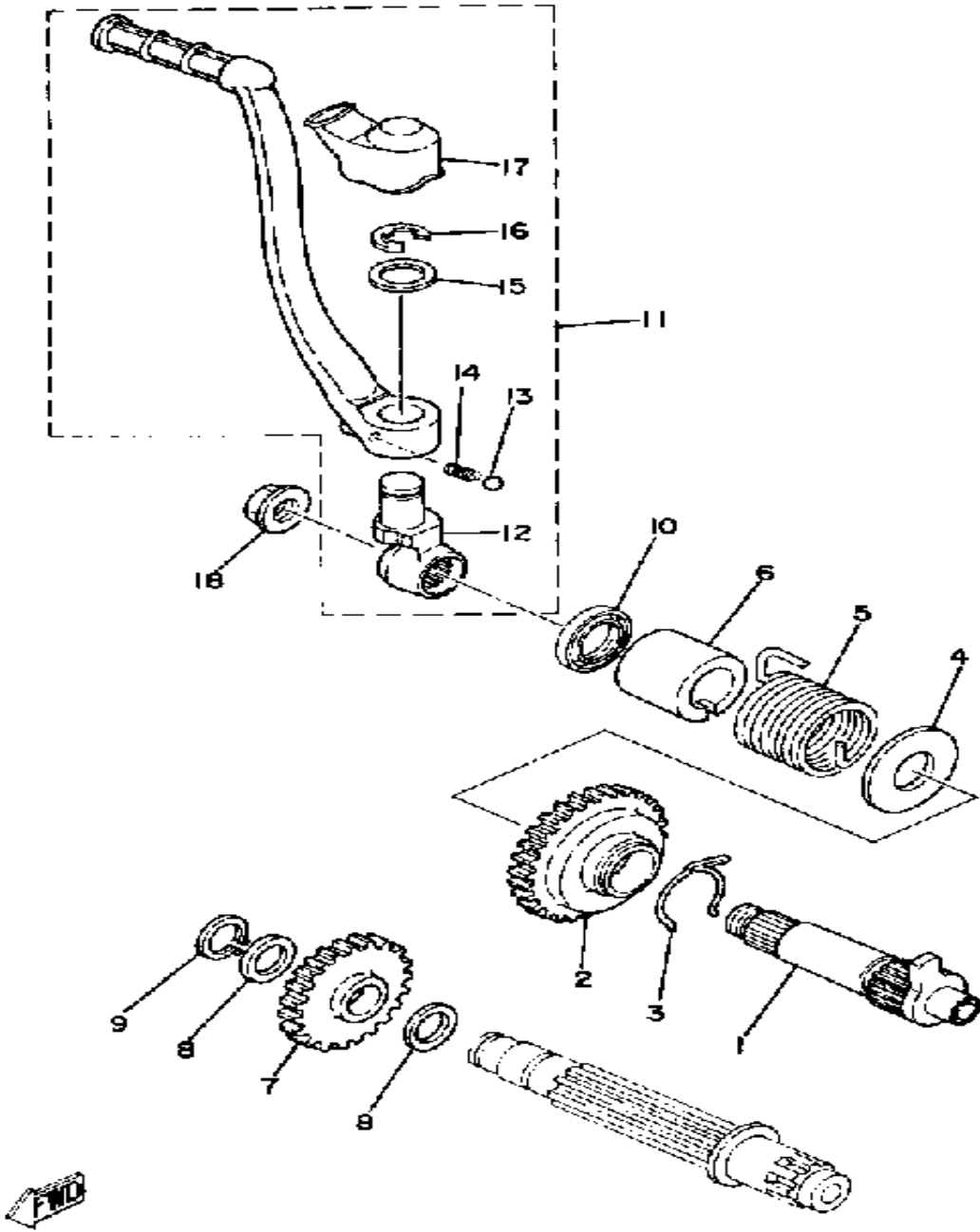
# CRANKCASE COVER

| Ref. No. | Part Number     | Description                       | Qty | Remarks |
|----------|-----------------|-----------------------------------|-----|---------|
| 1        | 3R5-15411-00-00 | COVER, CRANKCASE L                | 1   |         |
| 2        | 4V4-15451-00-00 | GASKET, CRCS COVERCOVER 1         | 1   |         |
| 3        | 98506-06035-00  | SCREW, PAN HEAD                   | 3   |         |
| 4        | 3R4-15421-00-00 | COVER, CRANKCASE R                | 1   |         |
| 5        | 98506-06025-00  | SCREW, PAN HEAD                   | 1   |         |
| 6        | 92906-06100-00  | WASHER, SPRING                    | 1   |         |
| 7        | 92906-06600-00  | WASHER                            | 1   |         |
| 8        | 3R4-15431-02-00 | COVER, CRANKCASE 3 (3R4-15431-00) | 1   |         |
| 9        | 3R4-15462-00-00 | GASKET, CRCS CVR 3COVER 3         | 1   |         |
| 10       | 91316-06025-00  | BOLT                              | 8   |         |
| 11       | 1G8-15362-00-00 | PLUG, OIL LEVEL                   | 1   |         |
| 12       | 93210-14104-00  | O-RING                            | 1   |         |
| 13       | 98506-06008-00  | SCREW, PAN HEAD (92506-06008-00)  | 1   |         |
| 14       | 90430-06016-00  | GASKET                            | 1   |         |

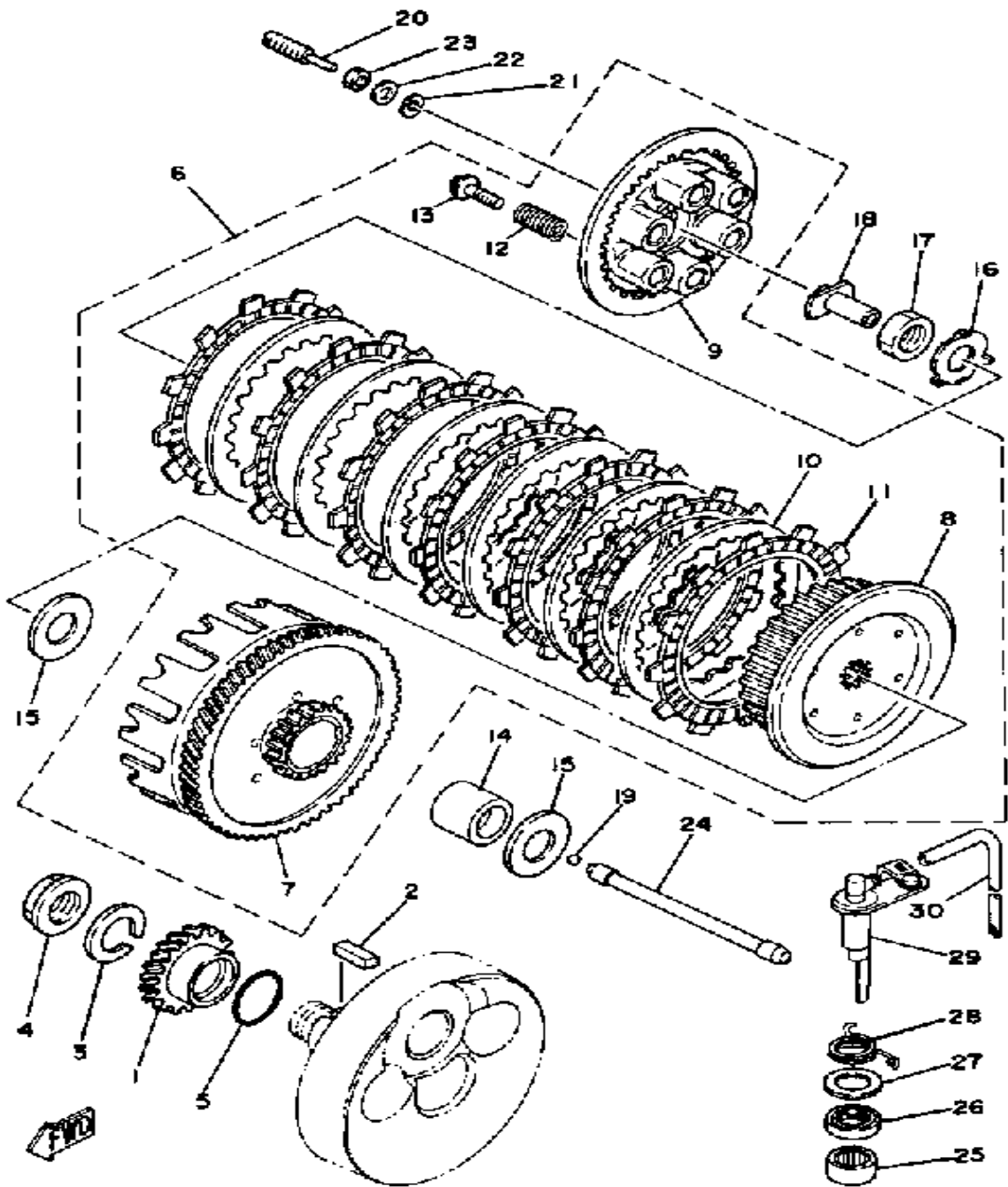


# KICK-STARTER

| Ref. No. | Part Number     | Description                 | Qty | Remarks |
|----------|-----------------|-----------------------------|-----|---------|
| 1        | 56A-15661-01-00 | AXLE, KICK .....            | 1   |         |
| 2        | 3R4-15641-00-00 | GEAR, KICK .....            | 1   |         |
| 3        | 90468-26048-00  | CLIP .....                  | 1   |         |
| 4        | 90201-20358-00  | WASHER, PLATE .....         | 1   |         |
| 5        | 90508-30422-00  | SPRING, TORSION .....       | 1   |         |
| 6        | 3R4-15664-00-00 | GUIDE, SPRING .....         | 1   |         |
| 7        | 3R4-15651-00-00 | GEAR, KICK IDLE .....       | 1   |         |
| 8        | 90201-17545-00  | WASHER, PLATE .....         | 2   |         |
| 9        | 99009-17400-00  | CIRCLIP .....               | 1   |         |
| 10       | 93102-20309-00  | SEAL, OIL .....             | 1   |         |
| 11       | 3R4-15620-00-00 | KICK CRANK ASSEMBLY .....   | 1   |         |
| 12       | 3R4-15621-01-00 | . BOSS, KICK CRANK .....    | 1   |         |
| 13       | 93507-32031-00  | . BALL .....                | 1   |         |
| 14       | 90501-12081-00  | . SPRING, COMPRESSION ..... | 1   |         |
| 15       | 90201-15234-00  | . WASHER, PLATE .....       | 1   |         |
| 16       | 99006-10600-00  | . CIRCLIP .....             | 1   |         |
| 17       | 2K7-15618-00-00 | . COVER, KICK LEVER .....   | 1   |         |
| 18       | 90179-12244-00  | NUT, SPEC'L SHAPE .....     | 1   |         |



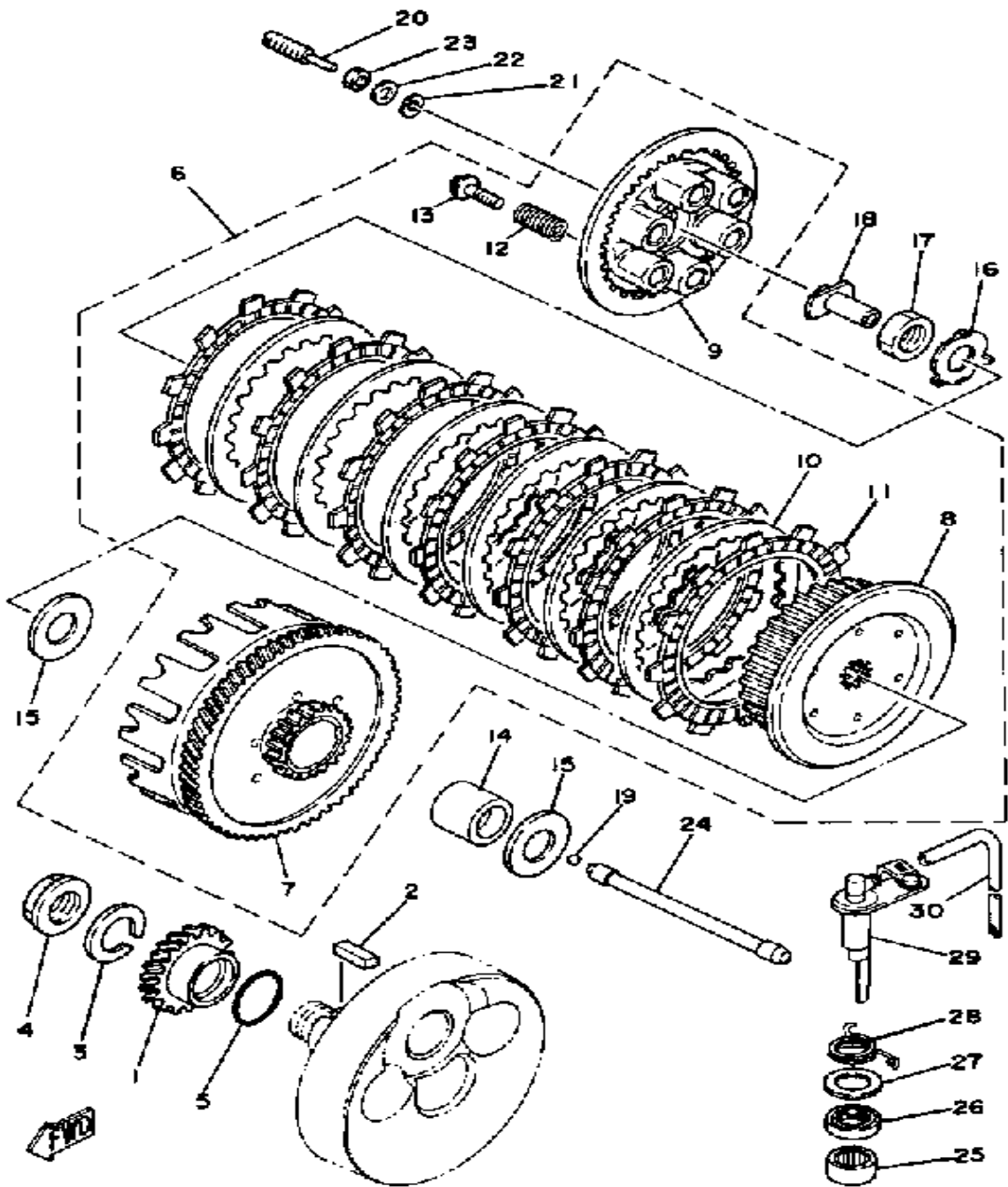
# CLUTCH



| Ref. No. | Part Number       | Description           | Qty | Remarks |
|----------|-------------------|-----------------------|-----|---------|
| 1        | 3R5-16111-00-00   | GEAR, PRI DRIVE       | 1   |         |
| 2        | 90282-07019-00    | KEY, STRAIGHT         | 1   |         |
| 3        | 92901-18100-00    | WASHER, SPRING        | 1   |         |
| 4        | 90170-18089-00    | NUT, HEXAGON          | 1   |         |
| 5        | 93210-29282-00    | O-RING                | 1   |         |
| 6        | (3R5-16300-00-00) | CLUTCH ASSEMBLY       | 1   |         |
| 7        | 3R4-16150-00-00   | . PRI DRVN GEAR (63T) |     |         |
| 8        | 3R4-16371-00-00   | . BOSS, CLUTCH        | 1   |         |
| 9        | 1M1-16351-00-00   | . PLATE, PRESSURE 1   | 1   |         |
| 10       | 4H7-16325-00-00   | PLATE, CLUTCH 2       | 6   |         |
| 11       | 4H7-16321-01-00   | PLATE, FRICTION       | 7   |         |
| 12       | 90501-24408-00    | SPRING, COMPRESSION   | 6   |         |
| 13       | 90159-06016-00    | SCREW, WITH WASHER    | 6   |         |
| 14       | 2K7-16181-00-00   | SPACER 1              | 1   |         |
| 15       | 2K7-16154-00-00   | PLATE, THRUST 1       | 2   |         |
| 16       | 90215-20125-00    | WASHER, LOCK          | 1   |         |
| 17       | 90170-20255-00    | NUT                   | 1   |         |
| 18       | 3R4-16356-00-00   | ROD, PUSH 1           | 1   |         |
| 19       | 93515-32029-00    | BALL                  | 1   |         |
| 20       | 90149-08143-00    | SCREW                 | 1   |         |
| 21       | 92990-08100-00    | WASHER                | 1   |         |
| 22       | 90201-087H6-00    | WASHER, PLATE         | 1   |         |
| 23       | 95311-08700-00    | NUT                   | 1   |         |
| 24       | 3R5-16357-01-00   | ROD, PUSH 2           | 1   |         |
| 25       | 93315-21721-00    | BEARING, CYLINDER.# 5 | 1   |         |
| 26       | 93102-17004-00    | OIL SEAL              | 1   |         |
| 27       | 90201-17327-00    | WASHER, PLATE         | 1   |         |
| 28       | 90508-14423-00    | SPRING, TORSION       | 1   |         |
| 29       | 4V4-16380-00-00   | PUSH LEVER ASSEMBLY   | 1   |         |
|          |                   |                       |     | 9175    |

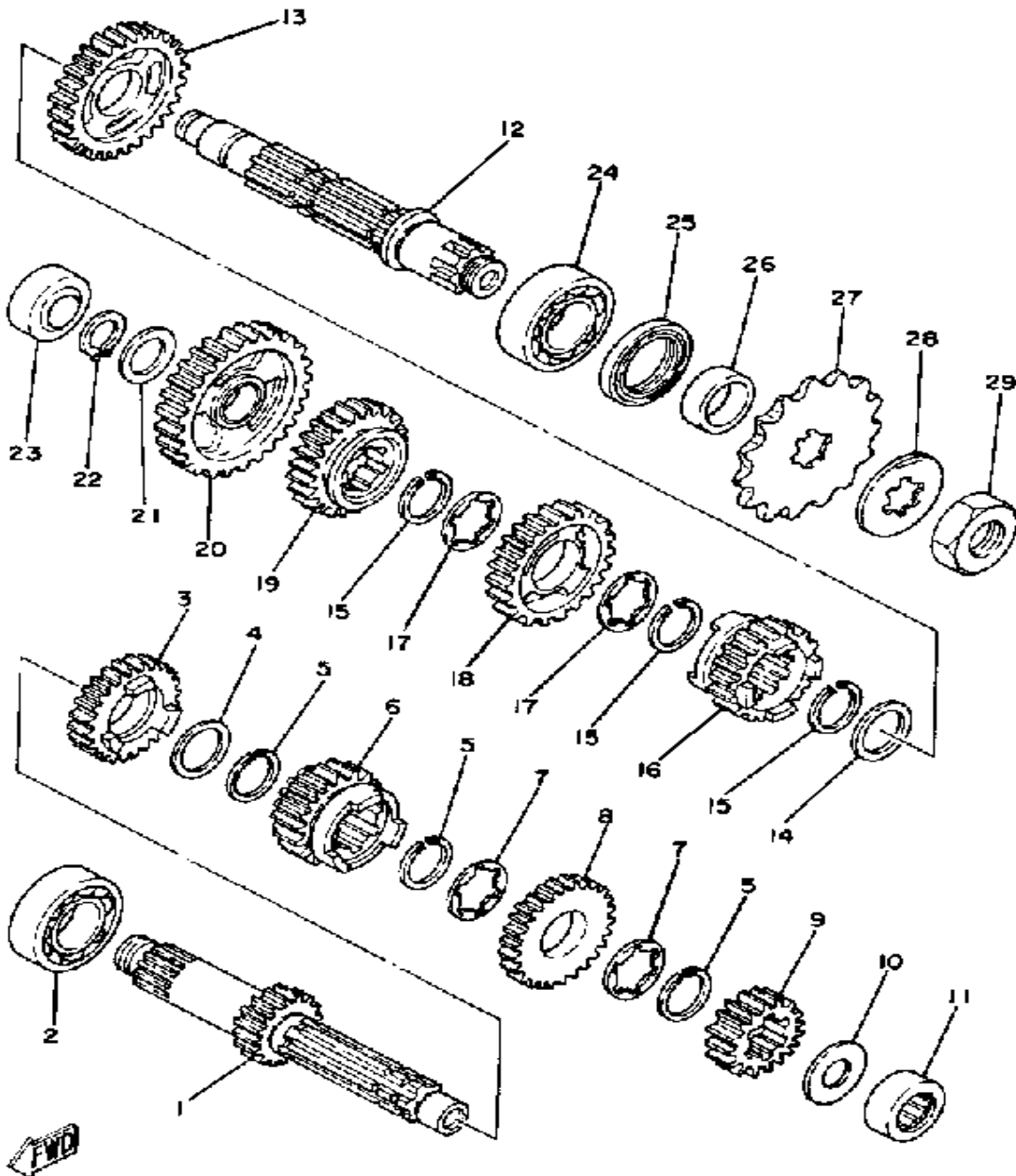
CONTINUED ON NEXT FRAME ➤

# CLUTCH



| Ref. No. | Part Number      | Description                | Qty | Remarks |
|----------|------------------|----------------------------|-----|---------|
| 29       | 4V4-16380-01-00  | PUSH LEVER ASSEMBLY (250H) | 1   | 2916    |
| 30       | (90445-08577-00) | HOSE 0 1                   | 1   | 2916    |
|          | 90445-09226-00   | HOSE                       | 1   | 9175    |

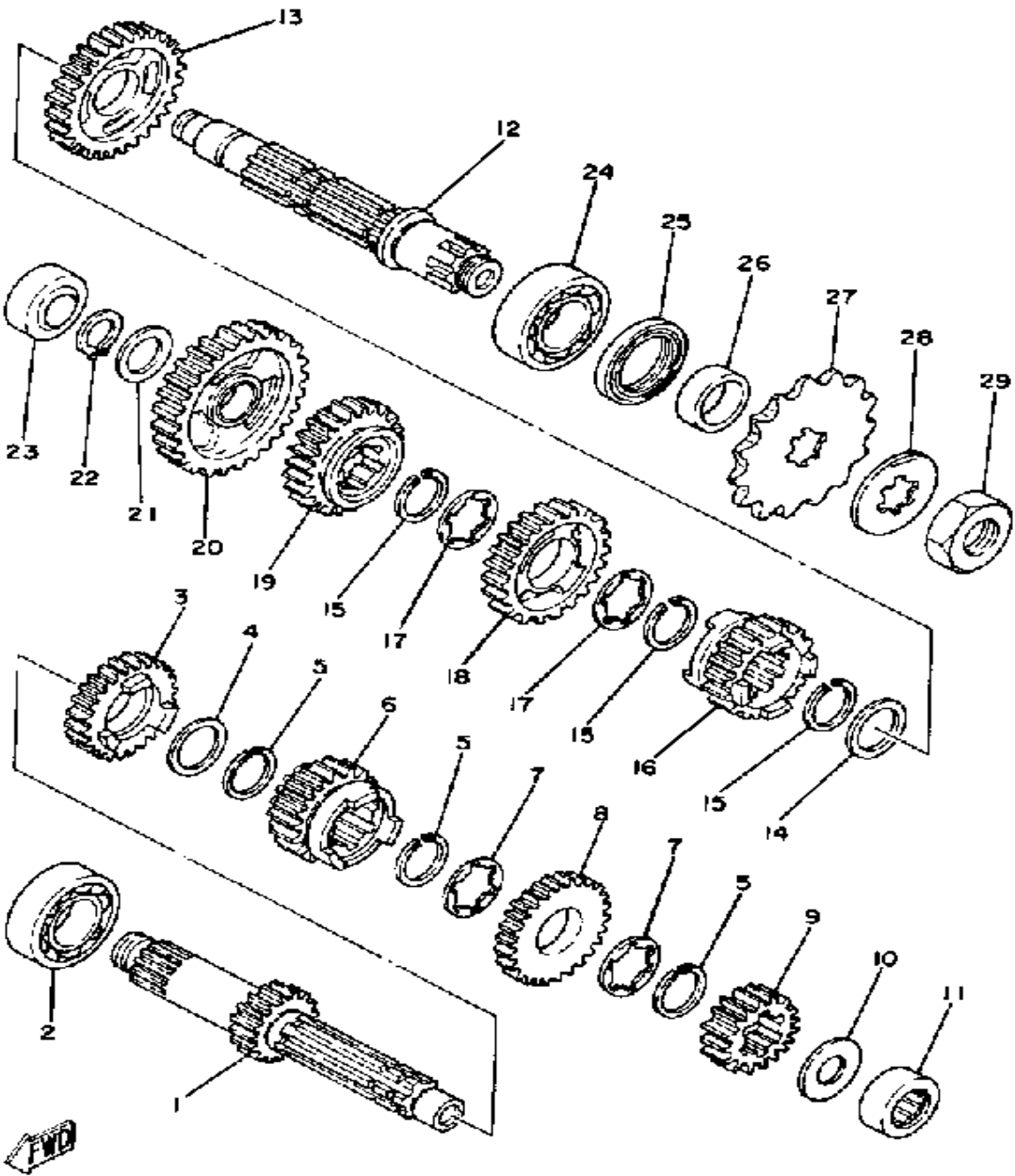
# TRANSMISSION



| Ref. No. | Part Number     | Description                      | Qty | Remarks        |
|----------|-----------------|----------------------------------|-----|----------------|
| 1        | 4V6-17411-00-00 | AXLE, MAIN                       | 1   |                |
| 2        | 93306-20540-00  | BEARING                          | 1   |                |
| 3        | 4V6-17141-01-00 | GEAR, 4TH PINION                 | 1   |                |
| 4        | 90201-253K0-00  | WASHER, PLATE (T=1.0)            | 1   |                |
| 5        | 93440-25084-00  | CIRCLIP                          | 3   |                |
| 6        | 3R5-17131-02-00 | GEAR, 3RD PINION                 | 1   |                |
| 7        | 90209-22082-00  | WASHER (0.5T)                    | 2   |                |
| 8        | 4V6-17151-01-00 | GEAR, 5TH PINION                 | 1   |                |
| 9        | 3R5-17121-01-00 | GEAR, 2ND PINION                 | 1   |                |
| 10       | 90209-20213-00  | WASHER, SPEC'L SHAP              | 1   |                |
| 11       | 93311-62035-00  | BEARING, CYLINDER.# 1            | 1   |                |
| 12       | 3R5-17421-00-00 | AXLE, DRIVE                      | 1   |                |
| 13       | 4V6-17221-01-00 | GEAR, 2ND WHEEL                  | 1   |                |
| 14       | 90201-253K0-00  | WASHER, PLATE (T=1.0)            | 1   |                |
| 15       | 93440-25084-00  | CIRCLIP                          | 3   |                |
| 16       | 4V6-17251-01-00 | GEAR, 5TH WHEEL                  | 1   |                |
| 17       | 90209-22082-00  | WASHER (0.5T)                    | 2   |                |
| 18       | 3R5-17231-03-00 | GEAR, 3RD WHEEL                  | 1   |                |
| 19       | 4V6-17241-01-00 | GEAR, 4TH WHEEL                  | 1   |                |
| 20       | 4V6-17211-01-00 | GEAR, 1ST WHEEL                  | 1   |                |
| 21       | 90201-20278-00  | WASHER, PLATE                    | 1   |                |
| 22       | 93410-20038-00  | CIRCLIP                          | 1   |                |
| 23       | 93311-62035-00  | BEARING, CYLINDER.# 1            | 1   |                |
| 24       | 93306-20552-00  | BEARING                          | 1   |                |
| 25       | 93102-32M07-00  | OIL SEAL                         | 1   |                |
| 26       | 90387-25663-00  | COLLAR                           | 1   |                |
| 27       | 93834-13030-00  | SPROCKET, DRIVE 13T (23X1746130) | 1   | ALTERNATE PART |
|          | 93834-14051-00  | SPROCKET, DRIVE (23X-17461-40)   | 1   | U.R. STD       |

CONTINUED ON NEXT FRAME ➤

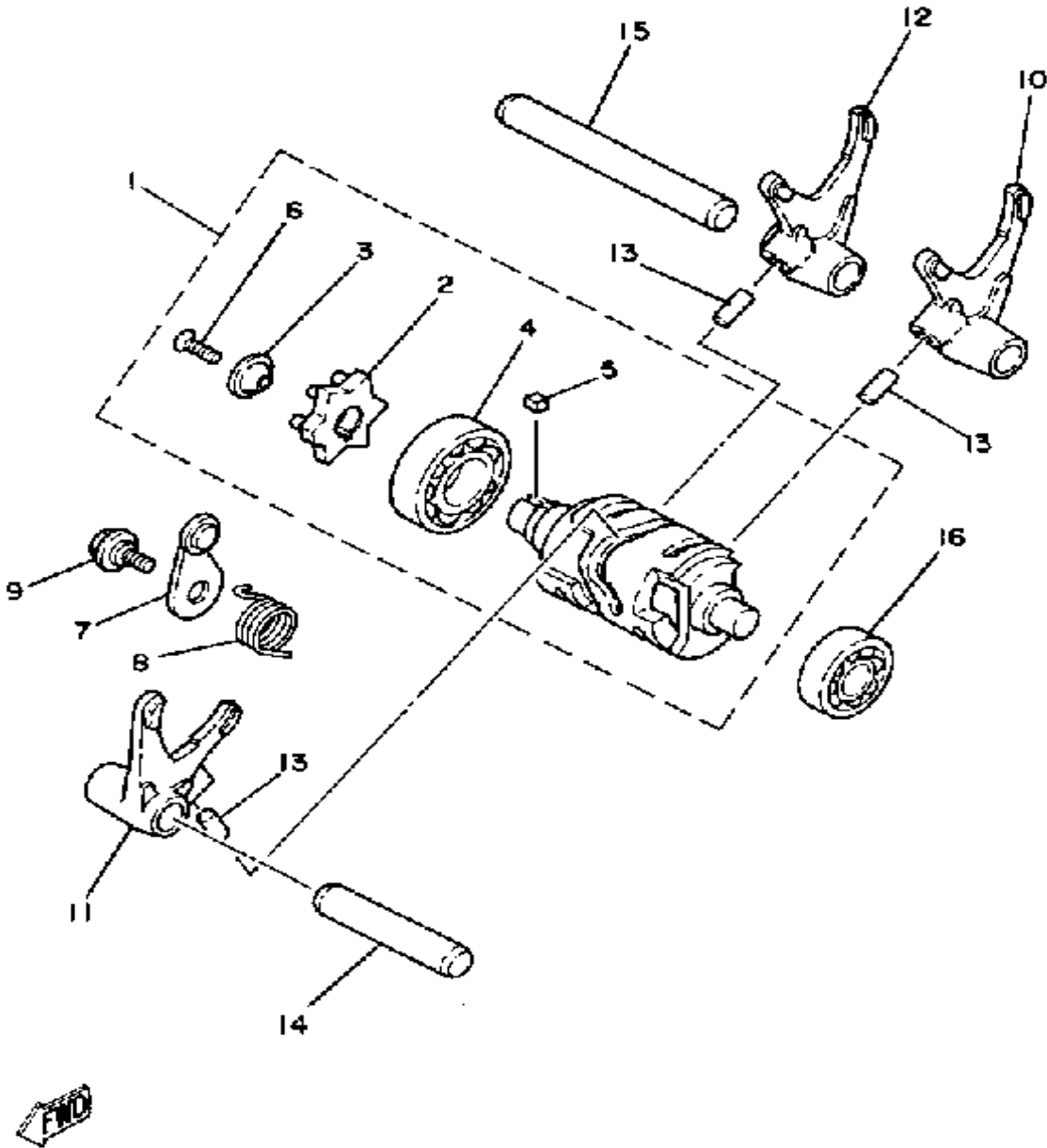
# TRANSMISSION



| Ref. No. | Part Number    | Description     | Qty | Remarks        |
|----------|----------------|-----------------|-----|----------------|
| 27       | 93834-15078-00 | SPROCKET, DRIVE | 1   | ALTERNATE PART |
| 28       | 90215-21239-00 | WASHER, LOCK    | 1   |                |
| 29       | 90179-20255-00 | NUT             | 1   |                |

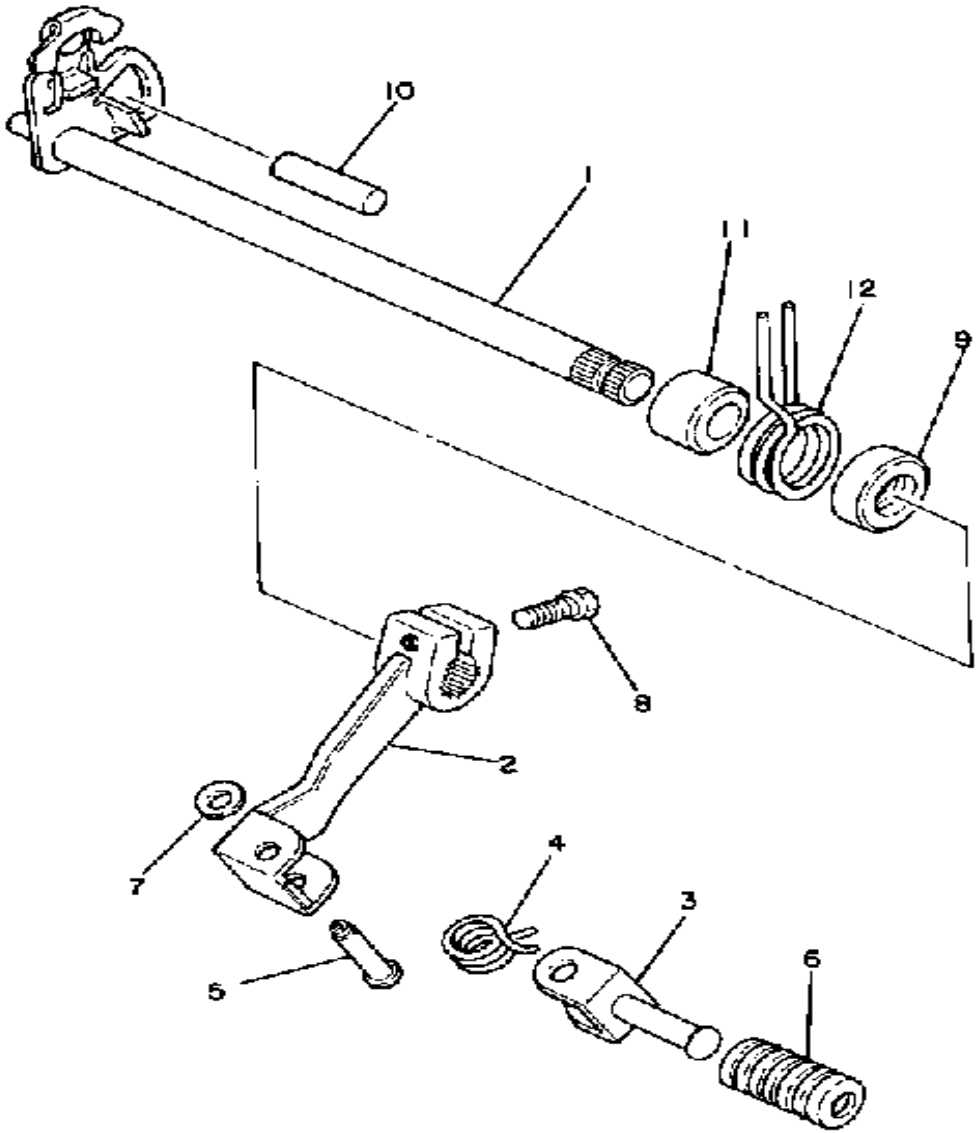


# SHIFT CAM-FORK



| Ref. No. | Part Number       | Description                | Qty | Remarks |
|----------|-------------------|----------------------------|-----|---------|
| 1        | 24Y-18540-00-00   | SHIFT CAM ASSEMBLY         | 1   |         |
| 2        | 3R4-18185-00-00   | . SEGMENT                  | 1   |         |
| 3        | 3R4-18561-00-00   | . PLATE, SIDE 1            | 1   |         |
| 4        | 93306-00406-00    | . BEARING (B6004Z)         | 1   |         |
| 5        | 90282-04036-00    | . KEY, STRAIGHT            | 1   |         |
| 6        | 98701-05016-00    | . SCREW, FLAT HEAD         | 1   |         |
| 7        | 3R4-18140-00-00   | STOPPER LEVER ASSEMBLY     | 1   |         |
| 8        | 90508-26421-00    | SPRING, TORSION            | 1   |         |
| 9        | 50W-21631-00-00   | BOLT 1                     | 1   |         |
| 10       | 3R5-18511-00-00   | FORK, SHIFT 1 (250H)       | 1   |         |
| 11       | 3R5-18512-00-00   | FORK, SHIFT 2              | 1   |         |
| 12       | 3R5-18513-00-00   | FORK, SHIFT 3 (250G)       | 1   |         |
| 13       | 93606-14154-00    | PIN, DOWEL                 | 3   |         |
| 14       | (4V4-18531-00-00) | BAR, SHIF FRK GDE 1        | 1   |         |
| 15       | 4V4-18535-00-00   | BAR, SHIF FRK GDE 2 (250H) | 1   |         |
| 16       | 93306-20110-00    | BEARING (B6201)            | 1   |         |

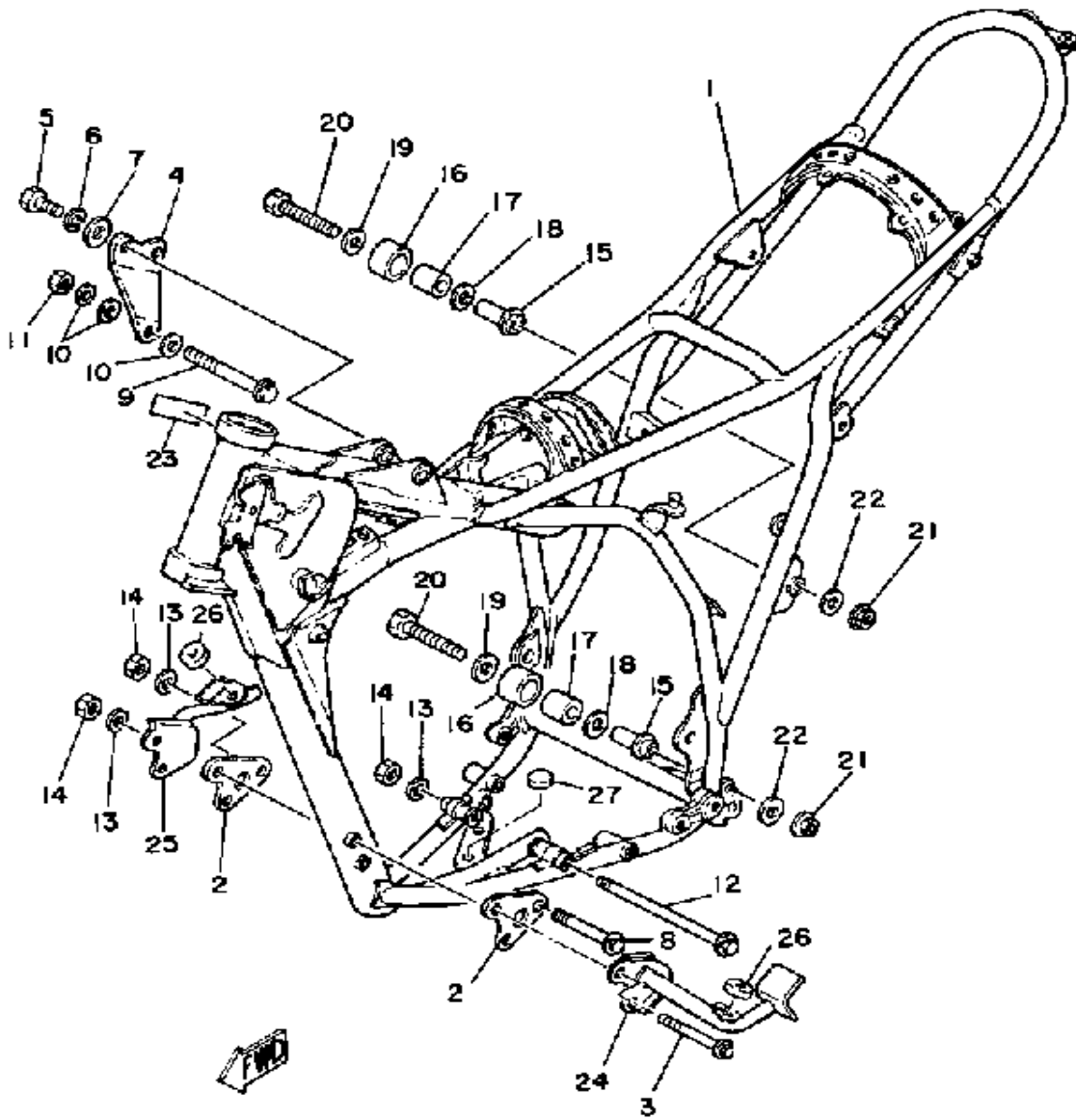
# SHIFT SHAFT-PEDAL



| Ref. No. | Part Number     | Description            | Qty | Remarks |
|----------|-----------------|------------------------|-----|---------|
| 1        | 23X-18101-01-00 | SHIFT SHAFT ASSEMBLY 1 | 1   |         |
| 2        | 5X6-18110-00-00 | PEDAL, SHIFT           | 1   |         |
| 3        | 3R8-18162-00-00 | PEDAL, SHIFT           | 1   |         |
| 4        | 90508-20415-00  | SPRING, TORSION        | 1   |         |
| 5        | 90243-08019-00  | PIN (90243-08017)      | 1   |         |
| 6        | 1W6-18113-00-00 | COVER, SHIFT PEDAL     | 1   |         |
| 7        | 90201-06042-00  | WASHER, PLATE          | 1   |         |
| 8        | 97011-06020-00  | BOLT                   | 1   |         |
| 9        | 93102-12321-00  | OIL SEAL, SD-TYPE      | 1   |         |
| 10       | 93608-25150-00  | PIN, DOWEL             | 1   |         |
| 11       | 90560-12171-00  | SPACER                 | 1   |         |
| 12       | 90508-32374-00  | SPRING, TORSION        | 1   |         |

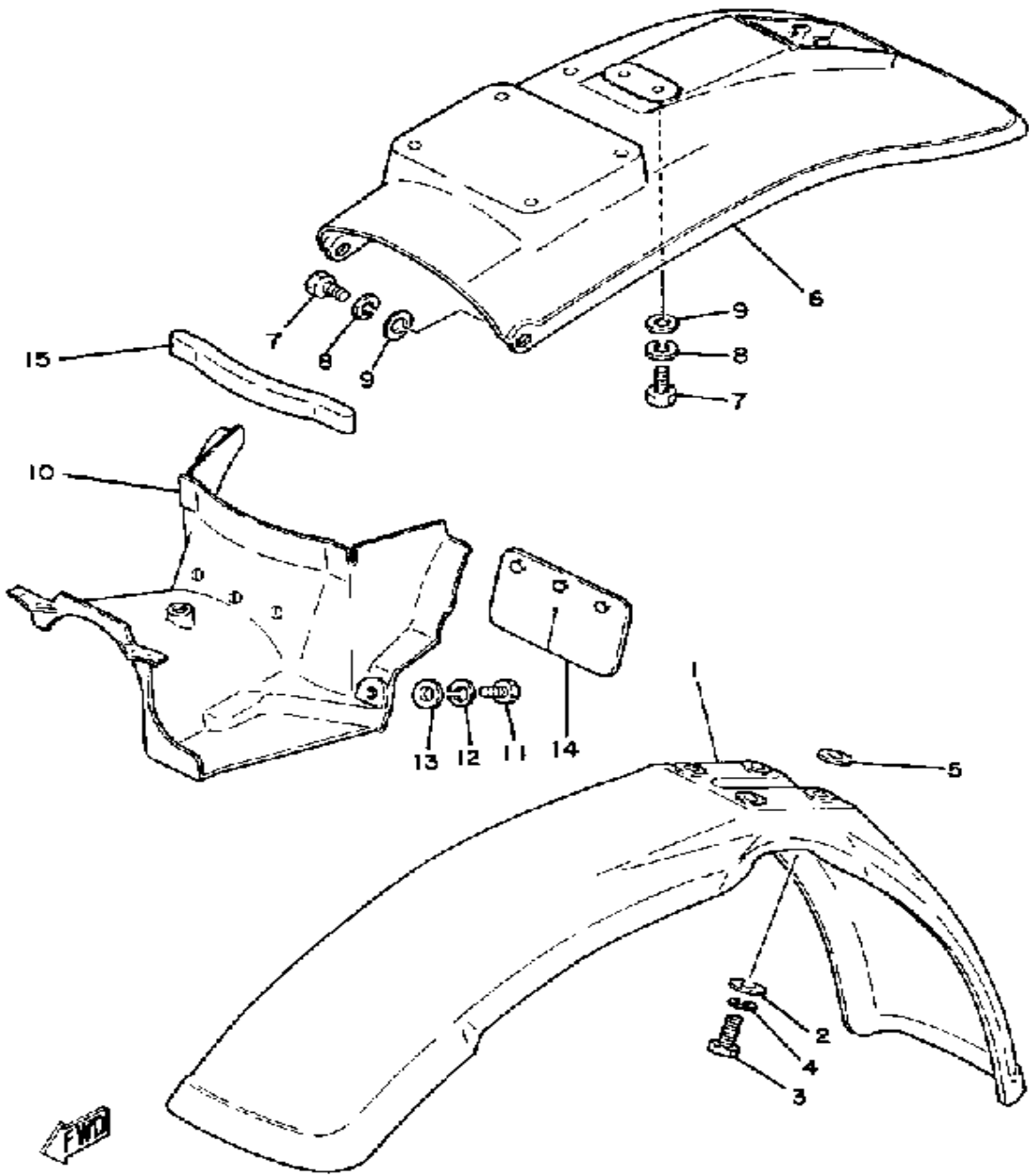


# FRAME



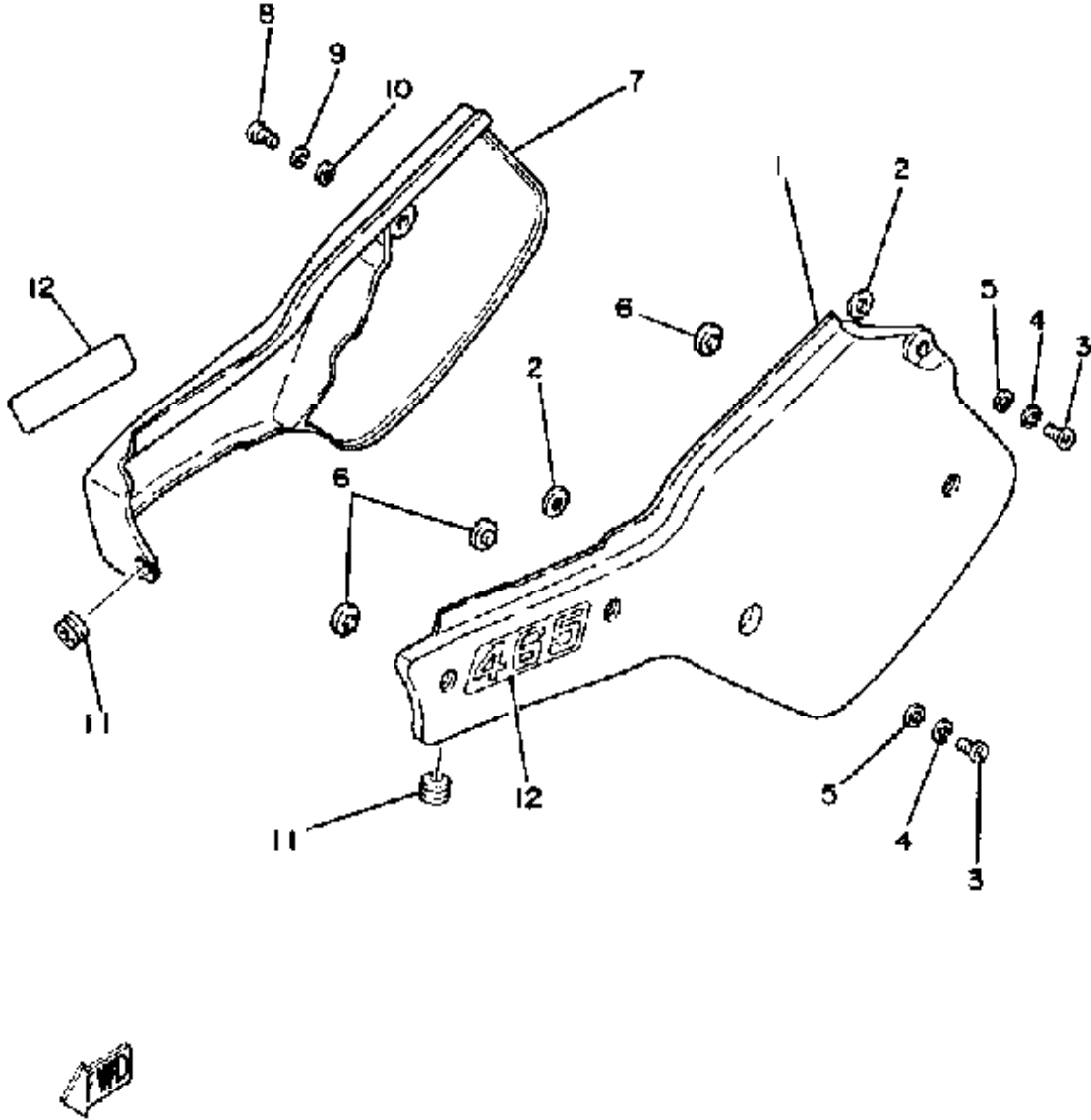
| Ref. No. | Part Number       | Description                   | Qty | Remarks      |
|----------|-------------------|-------------------------------|-----|--------------|
| 1        | (4V5-21110-01-33) | FRAME .....                   | 1   | YAMAHA BLACK |
| 2        | 3R4-21415-00-00   | BRACKET, FRT UPR 1 .....      | 2   |              |
| 3        | 95811-08080-00    | BOLT, FLANGE .....            | 2   |              |
| 4        | 4V4-21425-00-00   | BRACKET, REAR UPR 1 .....     | 1   |              |
| 5        | 97013-08025-00    | BOLT .....                    | 2   |              |
| 6        | 92990-08100-00    | WASHER .....                  | 2   |              |
| 7        | 92901-08600-00    | WASHER .....                  | 2   |              |
| 8        | 95811-08075-00    | BOLT, FLANGE .....            | 1   |              |
| 9        | 95811-10055-00    | BOLT, FLANGE .....            | 1   |              |
| 10       | 92990-10200-00    | WASHER, PLAIN .....           | 3   |              |
| 11       | 95601-10100-00    | NUT, U (95602-10100-00) ..... | 1   |              |
| 12       | 95811-08170-00    | BOLT, FLANGE .....            | 1   |              |
| 13       | 92990-08200-00    | WASHER, PLAIN .....           | 4   |              |
| 14       | 90185-08089-00    | NUT, SELF-LOCKING .....       | 4   |              |
| 15       | 2K7-2148A-00-00   | SHAFT .....                   | 2   |              |
| 16       | 30X-22178-00-00   | TENSIONER .....               | 2   |              |
| 17       | 4V4-22184-00-00   | BUSH .....                    | 2   |              |
| 18       | 90201-13202-00    | WASHER, PLATE .....           | 2   |              |
| 19       | 90201-08753-00    | WASHER, PLATE .....           | 2   |              |
| 20       | 97313-08055-00    | BOLT, HEXAGON .....           | 2   |              |
| 21       | 95712-08300-00    | NUT, LOCK .....               | 2   |              |
| 22       | 90201-08638-00    | WASHER, PLATE .....           | 2   |              |
| 23       | (3R4-2139W-00-00) | COVER .....                   | 1   |              |
| 24       | 4V5-2147A-00-33   | GUARD, ENGINE 1 .....         | 1   | YAMAHA BLACK |
| 25       | 4V5-2147E-00-33   | GUARD, ENGINE 2 .....         | 1   | YAMAHA BLACK |
| 26       | 2J5-21732-00-00   | SEAL 1 .....                  | 2   |              |
| 27       | 432-24181-00-00   | UNAVAILABLE IN PRICE BOOK     | 2   |              |

# FRONT FENDER-REAR FENDER



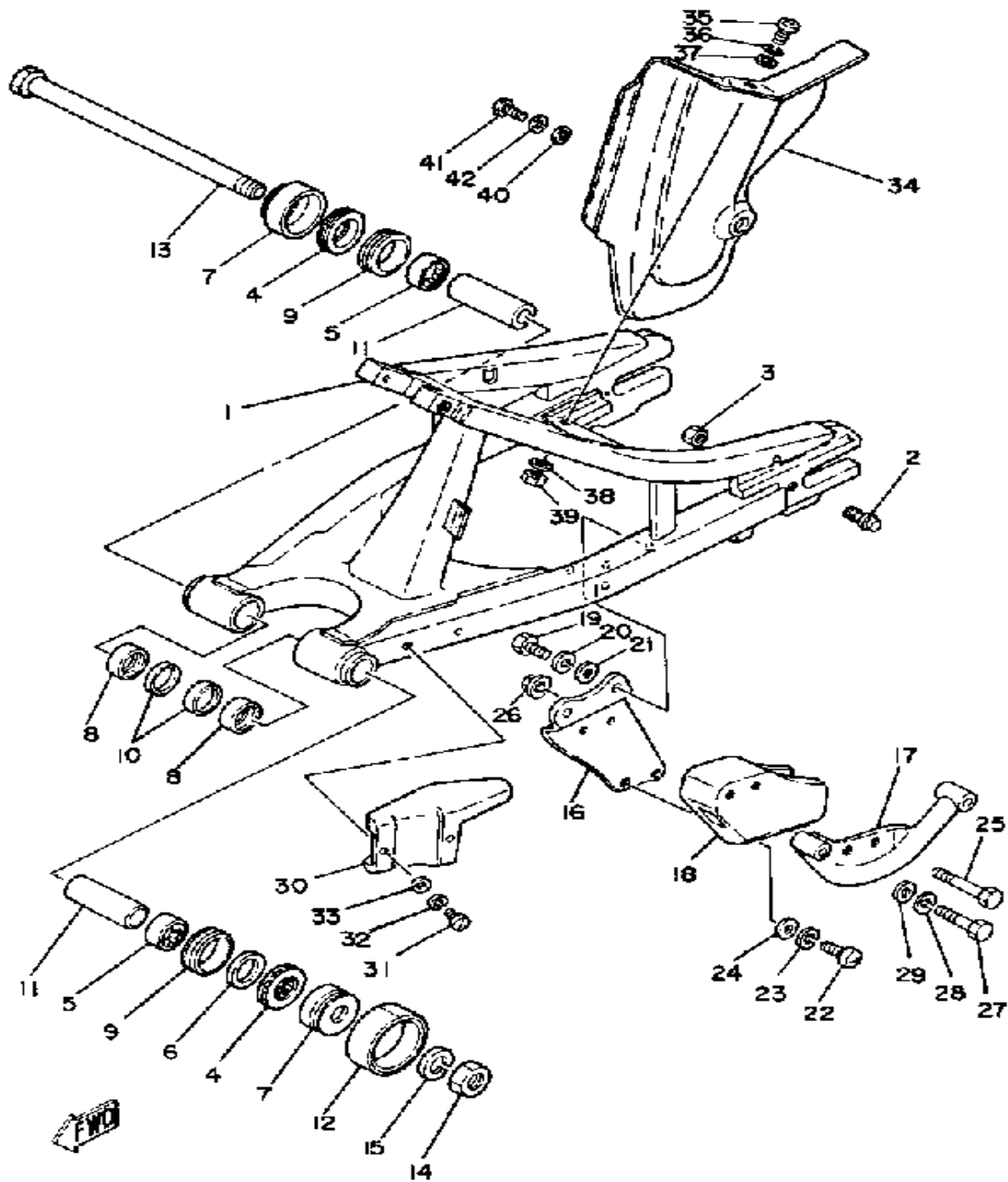
| Ref. No. | Part Number     | Description    | Qty | Remarks     |
|----------|-----------------|----------------|-----|-------------|
| 1        | 5X6-21511-11-00 | FENDER, FRONT  | 1   | CLEAN WHITE |
| 2        | 90201-06067-00  | WASHER, PLATE  | 4   |             |
| 3        | 97023-06020-00  | BOLT (3XF)     | 4   |             |
| 4        | 92995-06100-00  | WASHER, SPRING | 4   |             |
| 5        | 90209-06187-00  | WASHER         | 4   |             |
| 6        | 4V5-21610-00-00 | FENDER, REAR   | 1   | CLEAN WHITE |
| 7        | 97016-06016-00  | BOLT           | 4   |             |
| 8        | 92906-06100-00  | WASHER, SPRING | 4   |             |
| 9        | 90201-06067-00  | WASHER, PLATE  | 4   |             |
| 10       | 4V5-21629-00-00 | GUARD, MUD     | 1   |             |
| 11       | 97313-06016-00  | BOLT, HEXAGON  | 2   |             |
| 12       | 92995-06100-00  | WASHER, SPRING | 2   |             |
| 13       | 90201-06067-00  | WASHER, PLATE  | 2   |             |
| 14       | 1M1-21621-00-00 | FLAP           | 1   |             |
| 15       | 565-21746-00-00 | DAMPER         | 1   |             |

# SIDE COVER



| Ref. No. | Part Number       | Description                   | Qty | Remarks            |
|----------|-------------------|-------------------------------|-----|--------------------|
| 1        | (4V5-21711-00-26) | COVER, SIDE 1                 | 1   | COMP. YELLOW WHITE |
| 2        | 92990-08200-00    | WASHER, PLAIN                 | 2   |                    |
| 3        | 98503-06014-00    | SCREW, PAN HEAD (92502-06016) | 2   |                    |
| 4        | 92995-06100-00    | WASHER, SPRING                | 2   |                    |
| 5        | 90201-06571-00    | WASHER, PLATE                 | 2   |                    |
| 6        | 22W-24181-00-00   | DAMPER, LOCATING 1            | 3   |                    |
| 7        | 4V5-21721-00-26   | COVER, SIDE 2                 | 1   | COMP. YELLOW WHITE |
| 8        | 98503-06014-00    | SCREW, PAN HEAD (92502-06016) | 1   |                    |
| 9        | 92995-06100-00    | WASHER, SPRING                | 1   |                    |
| 10       | 90201-06571-00    | WASHER, PLATE                 | 1   |                    |
| 11       | 90480-12053-00    | GROMMET                       | 2   |                    |
| 12       | 4V6-21737-00-00   | EMBLEM                        | 2   |                    |

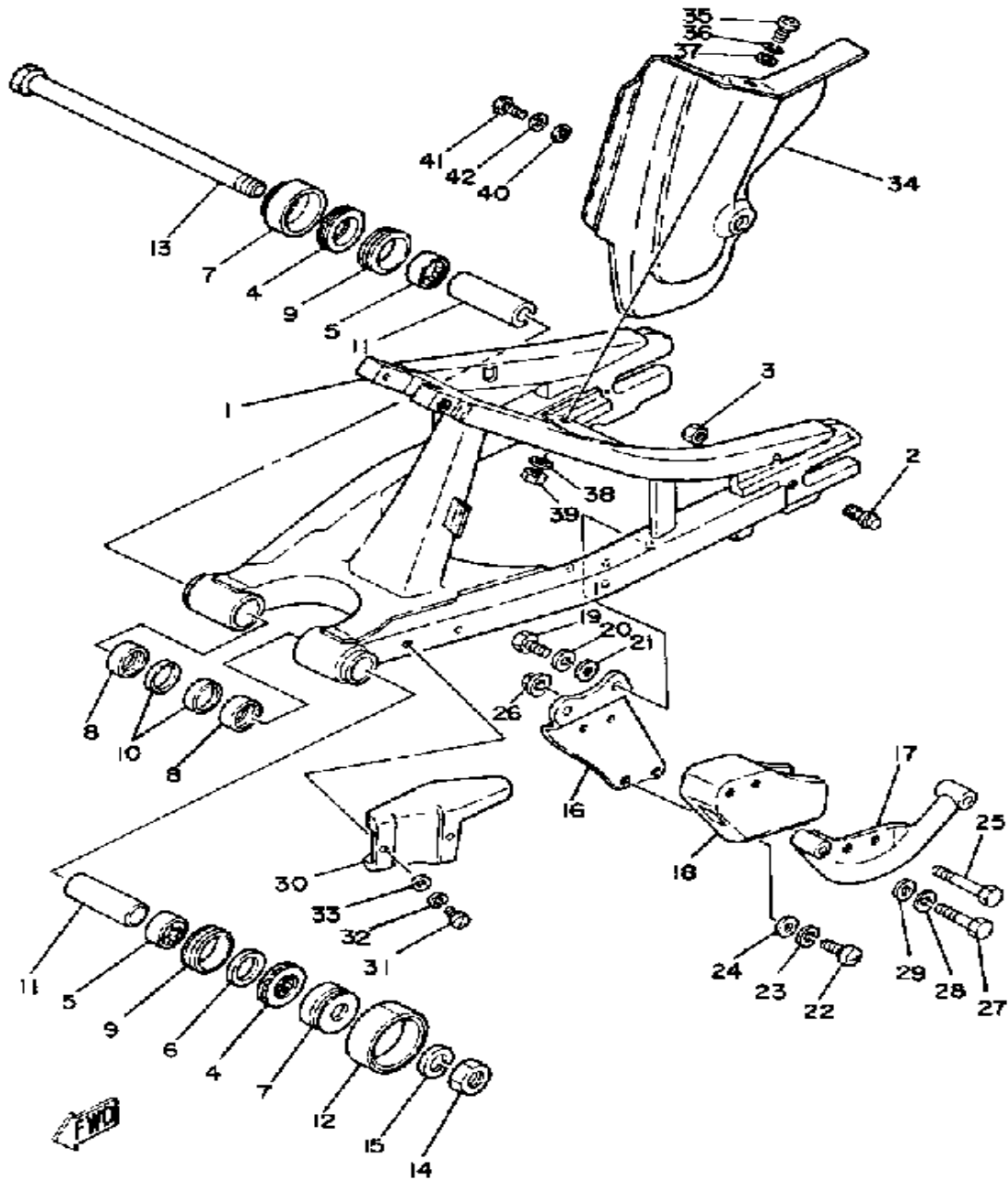
# REAR ARM



| Ref. No. | Part Number       | Description                       | Qty | Remarks |
|----------|-------------------|-----------------------------------|-----|---------|
| 1        | (4V6-22110-00-35) | REAR ARM .....                    | 1   | SILVER  |
| 2        | 90109-08599-00    | BOLT .....                        | 2   |         |
| 3        | 95701-08500-00    | NUT, FLANGE .....                 | 2   |         |
| 4        | 93342-22208-00    | BEARING, FLAT # 2 .....           | 2   |         |
| 6        | 648-45533-00-03   | SHIM .....                        | 1   | U.N.    |
| 7        | 3R4-22129-00-00   | COVER, THRUST 2 .....             | 2   |         |
| 8        | 90386-22097-00    | BUSH, SPEC'L NYLON .....          | 2   |         |
| 9        | 93108-35004-00    | OIL SEAL (35-41-8) .....          | 2   |         |
| 10       | 93109-22018-00    | OIL SEAL, SDO-TYPE .....          | 2   |         |
| 11       | 90380-16077-00    | BUSH, SOLID .....                 | 2   |         |
| 12       | 431-22151-03-00   | SEAL, GUARD .....                 | 1   |         |
| 13       | 3R4-22141-00-00   | SHAFT, PIVOT .....                | 1   |         |
| 14       | 90170-16111-00    | NUT, HEXAGON .....                | 1   |         |
| 15       | 92901-16100-00    | WASHER, SPRING .....              | 1   |         |
| 16       | 2X4-22179-00-00   | ARM, TENSIONER .....              | 1   |         |
| 17       | 3R5-22153-00-00   | GUARD, CHAIN .....                | 1   |         |
| 18       | 2X4-22199-00-00   | SUPPORT, CHAIN .....              | 1   |         |
| 19       | 97313-08018-00    | BOLT, HEXAGON (97301-08016) ..... | 2   |         |
| 20       | 92990-08100-00    | WASHER .....                      | 2   |         |
| 21       | 92901-08600-00    | WASHER .....                      | 2   |         |
| 22       | 98580-06020-00    | SCREW .....                       | 2   |         |
| 23       | 92995-06100-00    | WASHER, SPRING .....              | 2   |         |
| 24       | 92901-06600-00    | WASHER .....                      | 2   |         |
| 25       | 93317-22214-00    | BEARING, CYLINDER.# 7 .....       | 2   |         |
|          | 97313-06050-00    | BOLT .....                        | 2   |         |
| 26       | 95701-06300-00    | NUT, NYLON .....                  | 2   |         |
| 27       | 97313-08035-00    | BOLT, HEXAGON .....               | 2   |         |
| 28       | 92990-08100-00    | WASHER .....                      | 2   |         |
| 29       | 92901-08600-00    | WASHER .....                      | 2   |         |

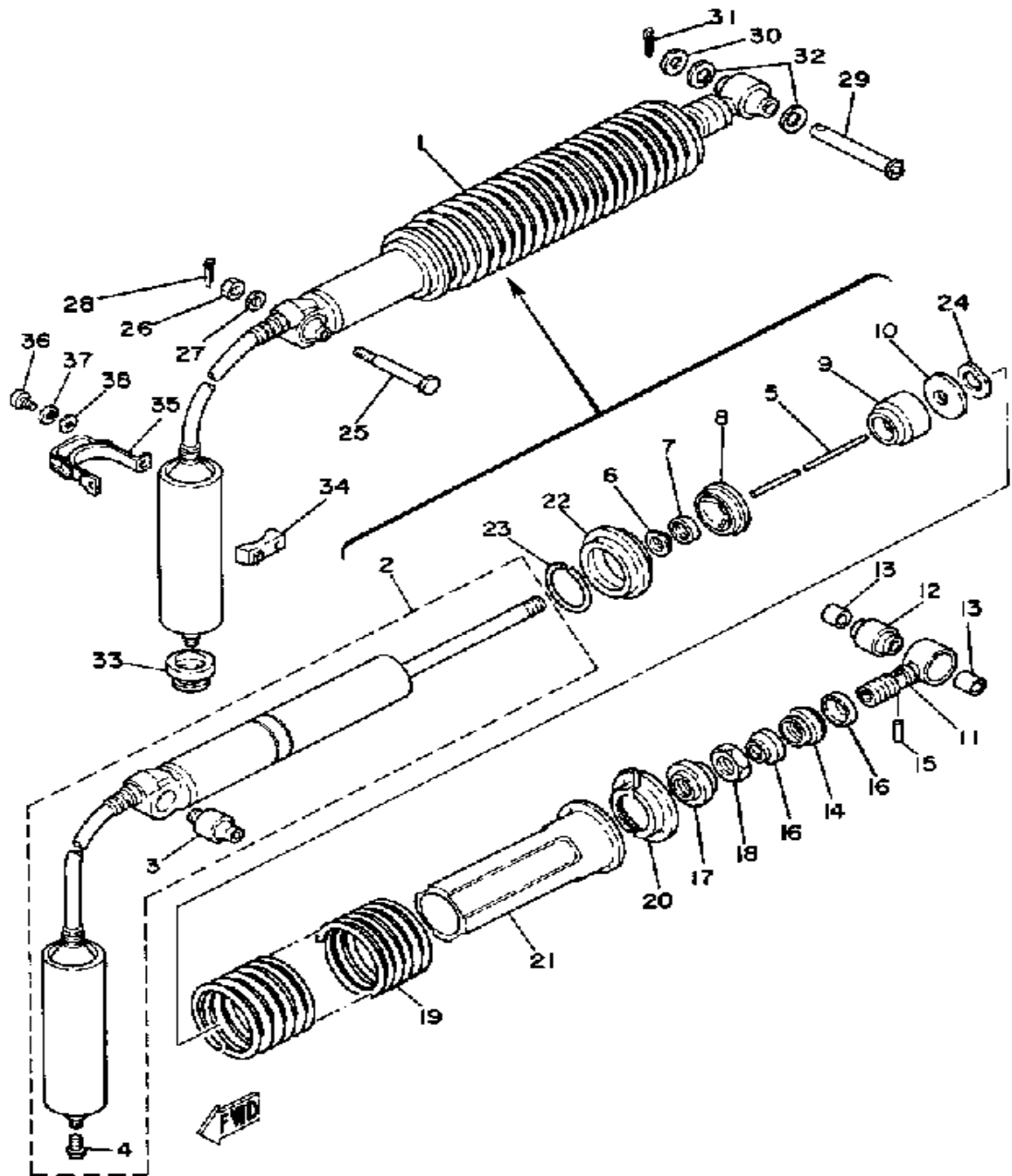
CONTINUED ON NEXT FRAME ➤

# REAR ARM



| Ref. No. | Part Number     | Description            | Qty | Remarks |
|----------|-----------------|------------------------|-----|---------|
| 30       | 3R4-22147-00-00 | PROTECTOR, CHAIN ..... | 1   |         |
| 31       | 98580-05010-00  | SCREW, PAN HEAD .....  | 2   |         |
| 32       | 92990-05100-00  | WASHER, SPRING .....   | 2   |         |
| 33       | 92990-05200-00  | WASHER, PLAIN .....    | 2   |         |
| 34       | 4V5-22311-00-00 | CASE, CHAIN .....      | 1   | BLACK   |
| 35       | 98580-06020-00  | SCREW .....            | 1   |         |
| 36       | 92995-06100-00  | WASHER, SPRING .....   | 1   |         |
| 37       | 92901-06600-00  | WASHER .....           | 1   |         |
| 38       | 90201-06067-00  | WASHER, PLATE .....    | 1   |         |
| 39       | 95601-06100-00  | NUT, U .....           | 1   |         |
| 40       | 90201-06067-00  | WASHER, PLATE .....    | 1   |         |
| 41       | 97011-06020-00  | BOLT .....             | 1   |         |
| 42       | 92995-06100-00  | WASHER, SPRING .....   | 1   |         |

# REAR SUSPENSION

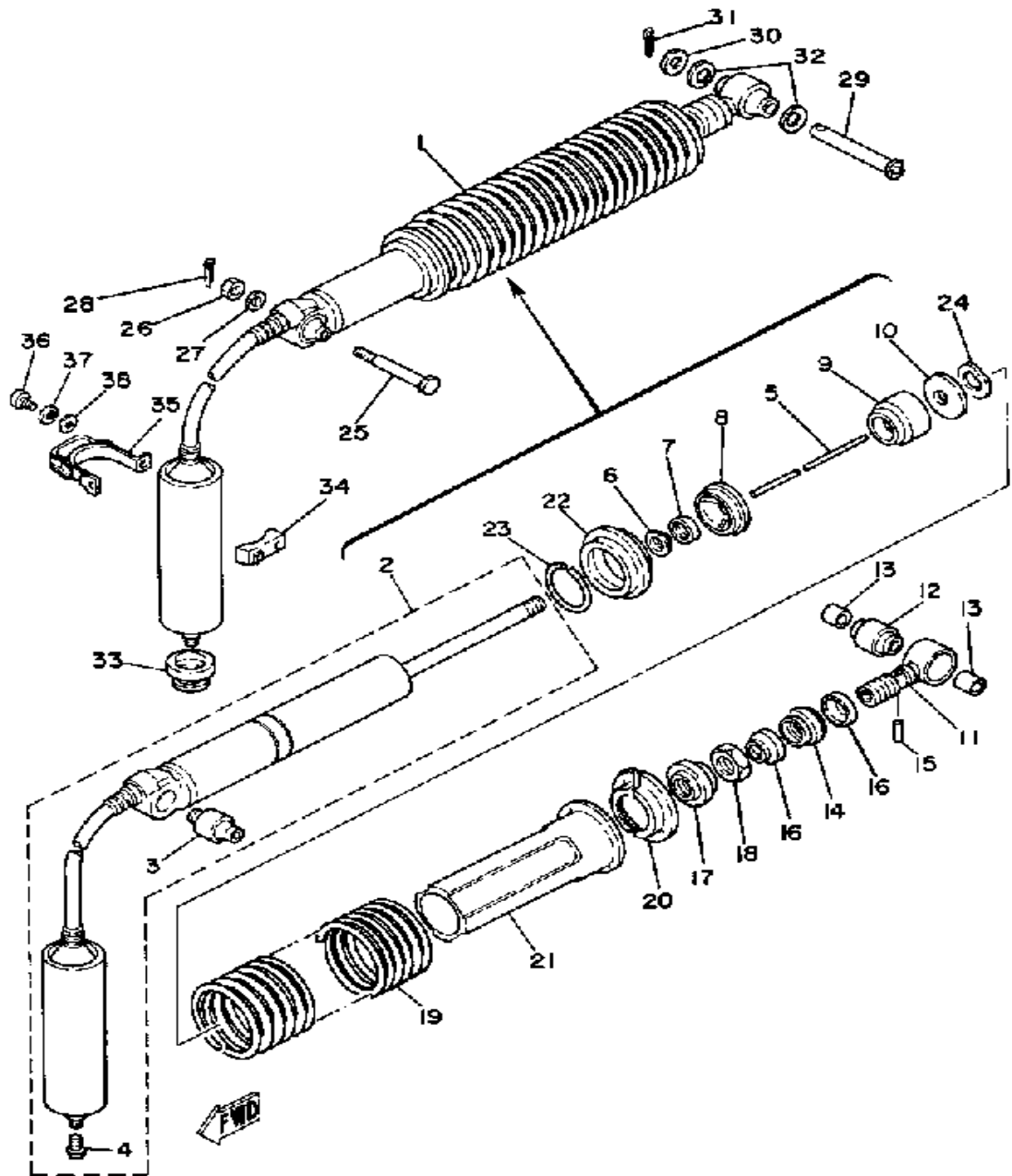


| Ref. No. | Part Number       | Description                       | Qty | Remarks                         |
|----------|-------------------|-----------------------------------|-----|---------------------------------|
| 1        | (4V6-22210-00-00) | SHK/ABS ASSEMBLY, REAR            | 1   |                                 |
| 2        | (4V6-22401-00-00) | DAMPER SUB-ASSEMBLY.              | 1   |                                 |
| 3        | 1YW-22216-00-00   | . . BUSH, RR SHOCK ABS            | 1   |                                 |
| 4        | 98511-04006-00    | . . SCREW, PAN HEAD (98501-04005) | 1   |                                 |
| 5        | (3R4-22489-00-00) | ROD, PUSH                         | 1   |                                 |
| 6        | 23X-22475-00-00   | . SEAL, DUST                      | 1   |                                 |
| 7        | 23X-22475-00-00   | . SEAL, DUST                      | 1   |                                 |
| 8        | 26A-22472-00-00   | . CAP, CASE                       | 1   |                                 |
| 9        | (2W6-22493-00-00) | BUMP, STOP                        | 1   |                                 |
| 10       | 3R4-22228-00-00   | . SUPPORT, BUMP STOP              | 1   |                                 |
| 11       | 3R4-22409-00-00   | . UPPER BRKT SUB ASSEMBLY         | 1   |                                 |
| 12       | 3R4-22226-00-00   | . BUSH, SHOCK ABS LWR             | 1   |                                 |
| 13       | 90380-12051-00    | . BUSH, SOLID                     | 2   |                                 |
| 14       | 5X3-22497-00-00   | . NUT, ADJUSTING                  | 1   |                                 |
| 15       | 93604-26132-00    | . PIN, DOWEL                      | 1   |                                 |
| 16       | 3R4-22221-01-00   | . COVER                           | 2   |                                 |
| 17       | 3R4-22213-00-00   | . SEAT, SPRING UPPER              | 1   |                                 |
| 18       | 90170-20320-00    | . NUT                             | 1   |                                 |
| 19       | (4V5-22212-10-00) | SPRING, MXS SOFT                  | 1   | U.R. ALT. PRT.SOFT (YEL/PURPLE) |
|          | (4V6-22212-00-00) | SPRING                            | 1   |                                 |
|          | 4V5-22212-20-00   | . SPRING, MXS HARD                | 1   | U.R. ALT. PRT.HARD (YEL/WHITE)  |
| 20       | 3R4-22214-01-00   | . GUIDE, SPRING 1 (3R4-22214-00)  | 2   |                                 |
| 21       | 3R4-22224-00-00   | . GUIDE, SPRING 2                 | 1   |                                 |
| 22       | 3R4-22223-00-00   | . SEAT, SPRING LOWER              | 1   |                                 |
| 23       | 93440-50078-00    | . CIRCLIP, OUTER                  | 1   |                                 |

CONTINUED ON NEXT FRAME ➤

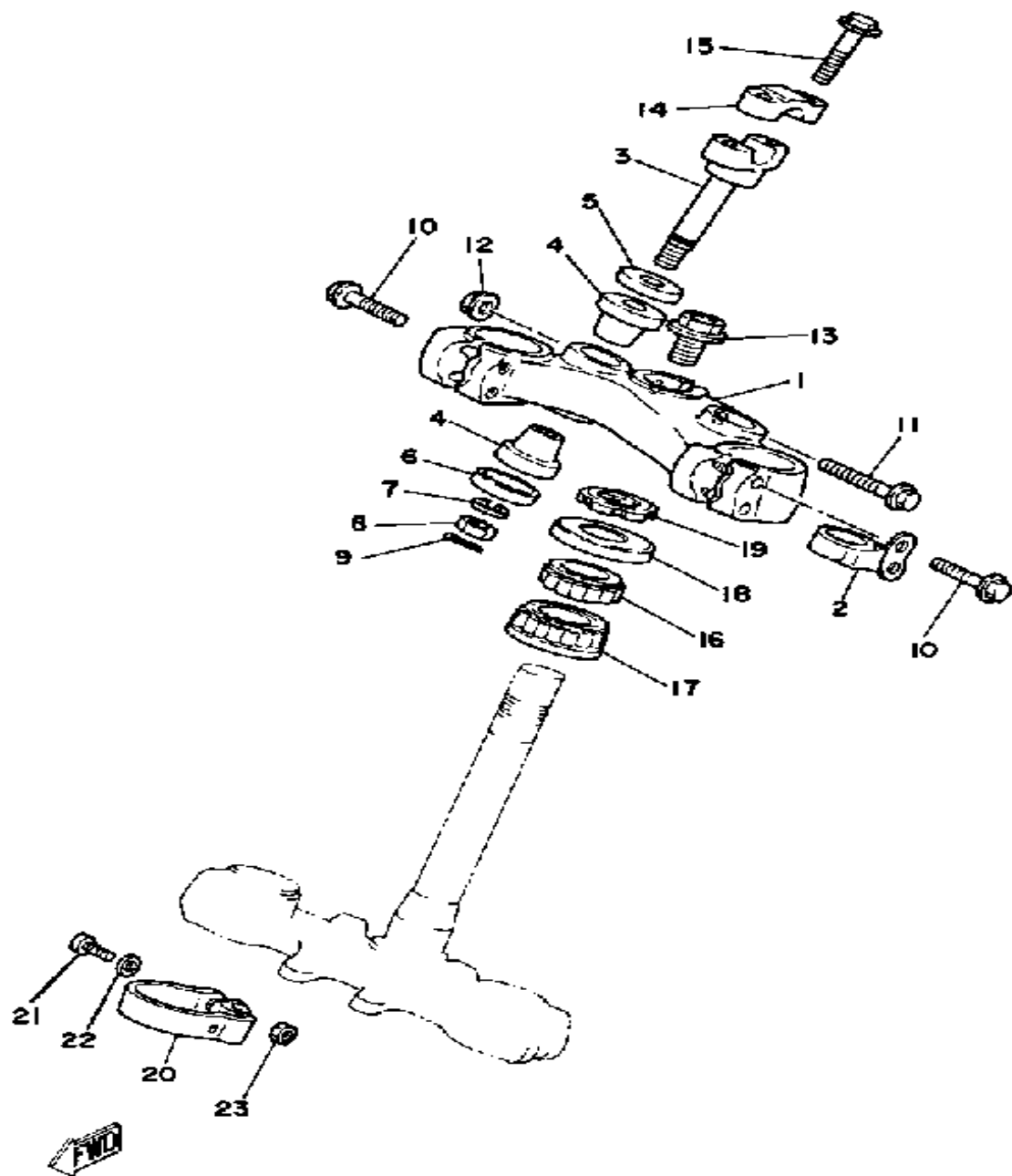


# REAR SUSPENSION



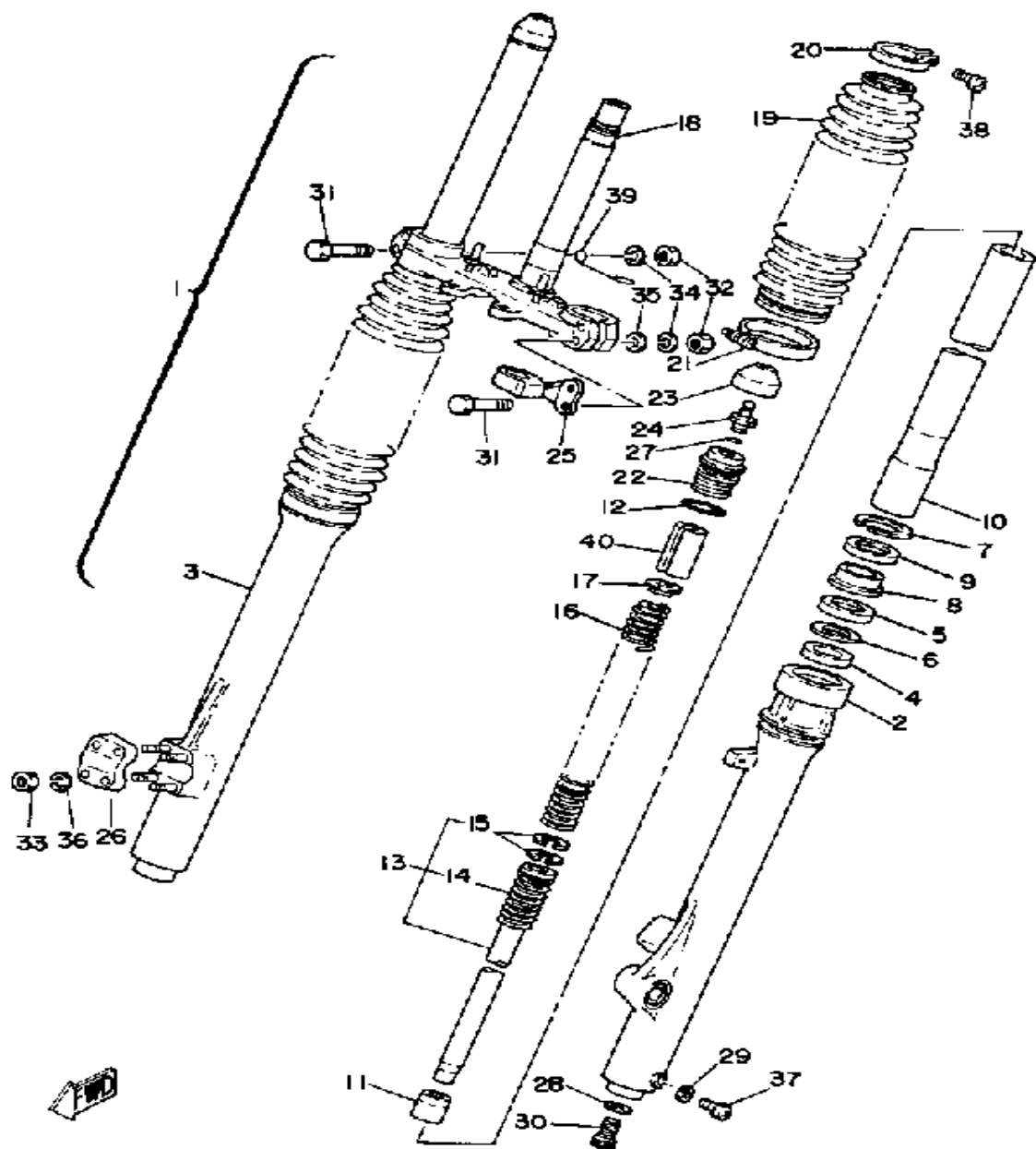
| Ref. No. | Part Number     | Description                   | Qty | Remarks |
|----------|-----------------|-------------------------------|-----|---------|
| 24       | 90206-14067-00  | WASHER, WAVE                  | 1   |         |
| 25       | 90109-10550-00  | BOLT (90109-10453-00)         | 1   |         |
| 26       | 95303-10700-00  | NUT                           | 1   |         |
| 27       | 92990-10600-00  | WASHER, PLATE                 | 1   |         |
| 28       | 91490-20025-00  | PIN, SPLIT                    | 1   |         |
| 29       | 90240-12074-00  | PIN, CLEVIS                   | 1   |         |
| 30       | 92990-12600-00  | WASHER, PLATE                 | 1   |         |
| 31       | 91401-30030-00  | PIN, COTTER                   | 1   |         |
| 32       | 1W1-22128-00-00 | COVER, THRUST 1               | 2   |         |
| 33       | 90480-22263-00  | GROMMET                       | 1   |         |
| 34       | 3R4-22261-00-00 | DAMPER, SUB TANK              | 1   |         |
| 35       | 4V4-22262-01-00 | HOLDER, SUB TANK (250H)       | 1   |         |
| 36       | 98503-06014-00  | SCREW, PAN HEAD (92502-06016) | 1   |         |
| 37       | 92995-06100-00  | WASHER, SPRING                | 1   |         |
| 38       | 92901-06600-00  | WASHER                        | 1   |         |

# STEERING



| Ref. No. | Part Number     | Description                | Qty | Remarks       |
|----------|-----------------|----------------------------|-----|---------------|
| 1        | 3R4-23435-00-98 | CROWN, HANDLE              | 1   | LOW GLOSS BLK |
| 2        | 3R4-23389-00-00 | GUIDE, CABLE               | 1   |               |
| 3        | 1E6-23442-00-00 | HOLDER, HANDLE LWR         | 2   | LOW GLOSS BLK |
| 4        | 1E6-23434-00-00 | HOLDER, DAMPER             | 4   |               |
| 5        | 90209-12143-00  | WASHER, SPEC'L SHAP        | 2   |               |
| 6        | 90209-10195-00  | WASHER, SPEC'L SHAP        | 2   |               |
| 7        | 92990-10100-00  | WASHER, SPRING             | 2   |               |
| 8        | 95303-10700-00  | NUT                        | 2   |               |
| 9        | 91490-20020-00  | PIN, COTTER                | 2   |               |
| 10       | 90105-08091-00  | BOLT, WASHER BASED         | 4   |               |
| 11       | 95811-08055-00  | BOLT, FLANGE               | 1   |               |
| 12       | 95701-08500-00  | NUT, FLANGE                | 1   |               |
| 13       | 90105-14136-00  | BOLT, WASHER BASED         | 1   |               |
| 14       | 1E6-23441-00-00 | HOLDER, HANDLE UPR         | 2   | LOW GLOSS BLK |
| 15       | 95811-08035-00  | BOLT, FLANGE (95821-08035) | 4   |               |
| 16       | 93332-00001-00  | BEARING                    | 1   |               |
| 17       | 93332-00008-00  | BEARING                    | 1   |               |
| 18       | 3HE-23416-00-00 | COVER, BALL RACE 2         | 1   |               |
| 19       | 90179-25033-00  | NUT                        | 1   |               |
| 20       | 1W2-23318-00-00 | HOLDER, CABLE 1            | 1   |               |
| 21       | 98501-05018-00  | SCREW, PAN HEAD            | 1   |               |
| 22       | 92901-05600-00  | WASHER, PLATE              | 1   |               |
| 23       | 95380-05600-00  | NUT                        | 1   |               |

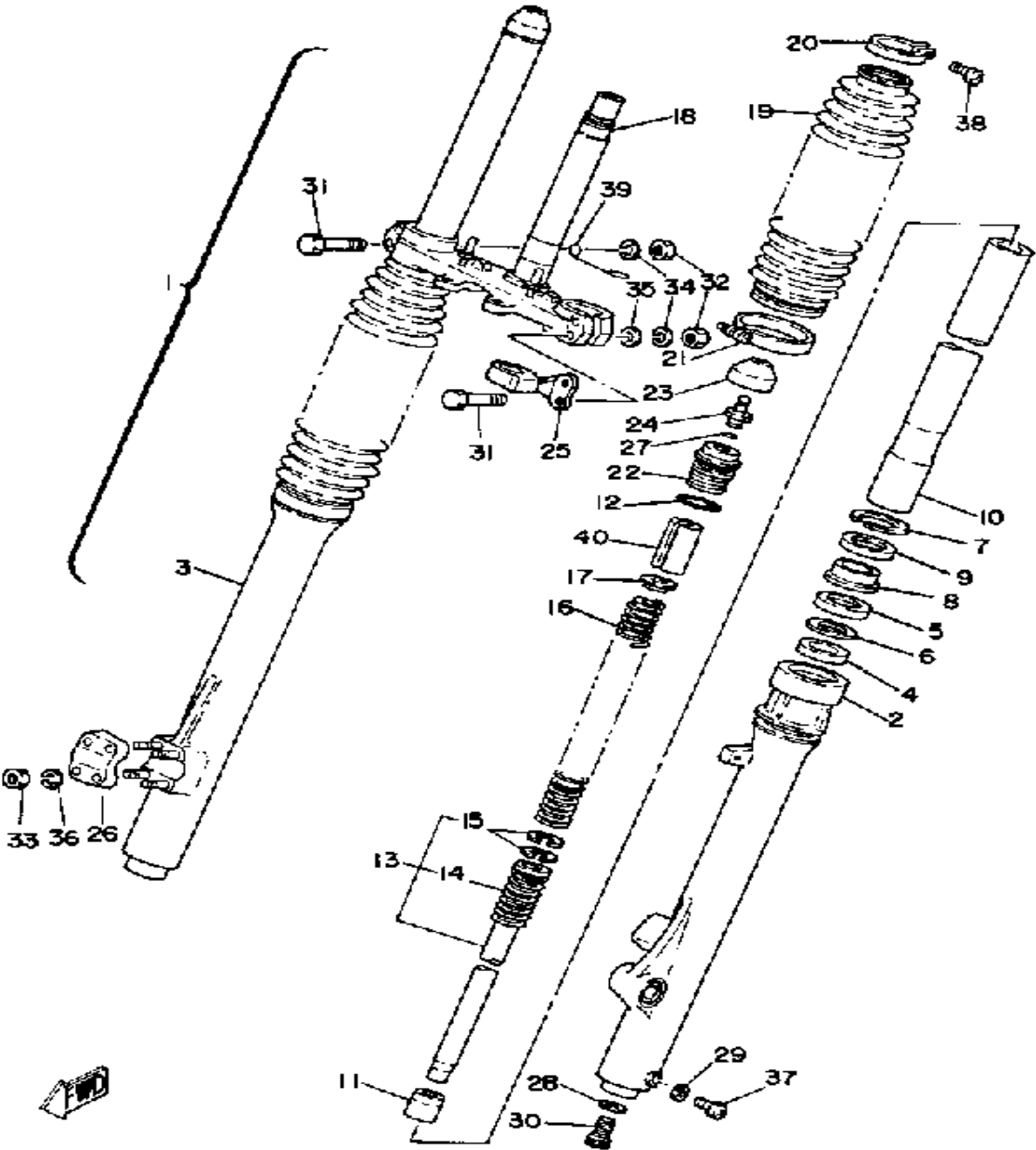
# FRONT FORK



| Ref. No. | Part Number       | Description             | Qty | Remarks             |
|----------|-------------------|-------------------------|-----|---------------------|
| 1        | (4V5-23101-L0-00) | FRONT FORK ASSEMBLY     | 1   |                     |
| 2        | (4V5-23126-L0-00) | TUBE, OUTER 1           | 1   |                     |
| 3        | (4V5-23136-L0-00) | TUBE, OUTER 2           | 1   |                     |
| 4        | 2YK-23125-00-00   | . METAL, SLIDE 1        | 2   |                     |
| 5        | 3EN-23145-00-00   | . OIL SEAL              | 2   |                     |
| 6        | 4V2-23146-L0-00   | . WASHER, OIL SEAL      | 2   |                     |
| 7        | 3R4-23153-00-00   | . RING, SNAP            | 2   |                     |
| 8        | 3R4-23144-00-00   | . SEAL, DUST            | 2   |                     |
| 9        | 3R4-23148-00-00   | . COVER, DUST SEAL      | 2   |                     |
| 10       | (4V2-23110-L0-00) | INNER TUBE 1            | 2   |                     |
| 11       | (3R4-23173-L0-00) | SPINDLE, TAPER          | 2   |                     |
| 12       | 1W4-23114-L0-00   | . GASKET                | 2   |                     |
| 13       | (4V5-23170-L0-00) | CYLINDER, FRTRFK        | 2   |                     |
| 14       | (1W4-23151-L0-00) | SPRING, REBOUND         | 2   |                     |
| 15       | 4V2-23157-L0-00   | . . RING, PISTON FRTRFK | 4   |                     |
| 16       | (4V5-23141-10-00) | SPRING, FRTRFK SOFT     | 2   | U.R. ALT. PRT. SOFT |
|          | (4V5-23141-20-00) | SPRING, FRTRFK HARD     | 2   | U.R. ALT. PRT. HARD |
|          | (4V5-23141-L0-00) | SPRING, FRONT FORK      | 2   |                     |
| 17       | 1W4-23142-L0-00   | . SEAT, SPRING UPPER    | 2   |                     |
| 18       | 4V5-23340-L0-33   | . UNDER BRACKET         | 1   | YAMAHA BLACK        |
| 19       | 3R4-23191-M0-00   | . BOOT, FRONT FORK      | 2   |                     |
| 20       | 1W4-23192-L0-00   | . BAND                  | 2   |                     |
| 21       | 1W4-23489-L0-00   | . BAND                  | 2   |                     |
| 22       | 1W4-23111-L1-00   | . BOLT, CAP             | 2   |                     |
| 23       | 1W1-23185-L0-00   | . COVER, VALVE          | 2   |                     |
| 24       | 509-23190-L0-00   | . AIR VALVE             | 2   |                     |
| 25       | 3R4-23389-00-00   | . GUIDE, CABLE          | 1   |                     |
| 26       | 4V2-23167-L0-00   | . HOLDER, AXLE          | 1   |                     |
| 27       | 509-23163-L0-00   | . O-RING                | 2   |                     |

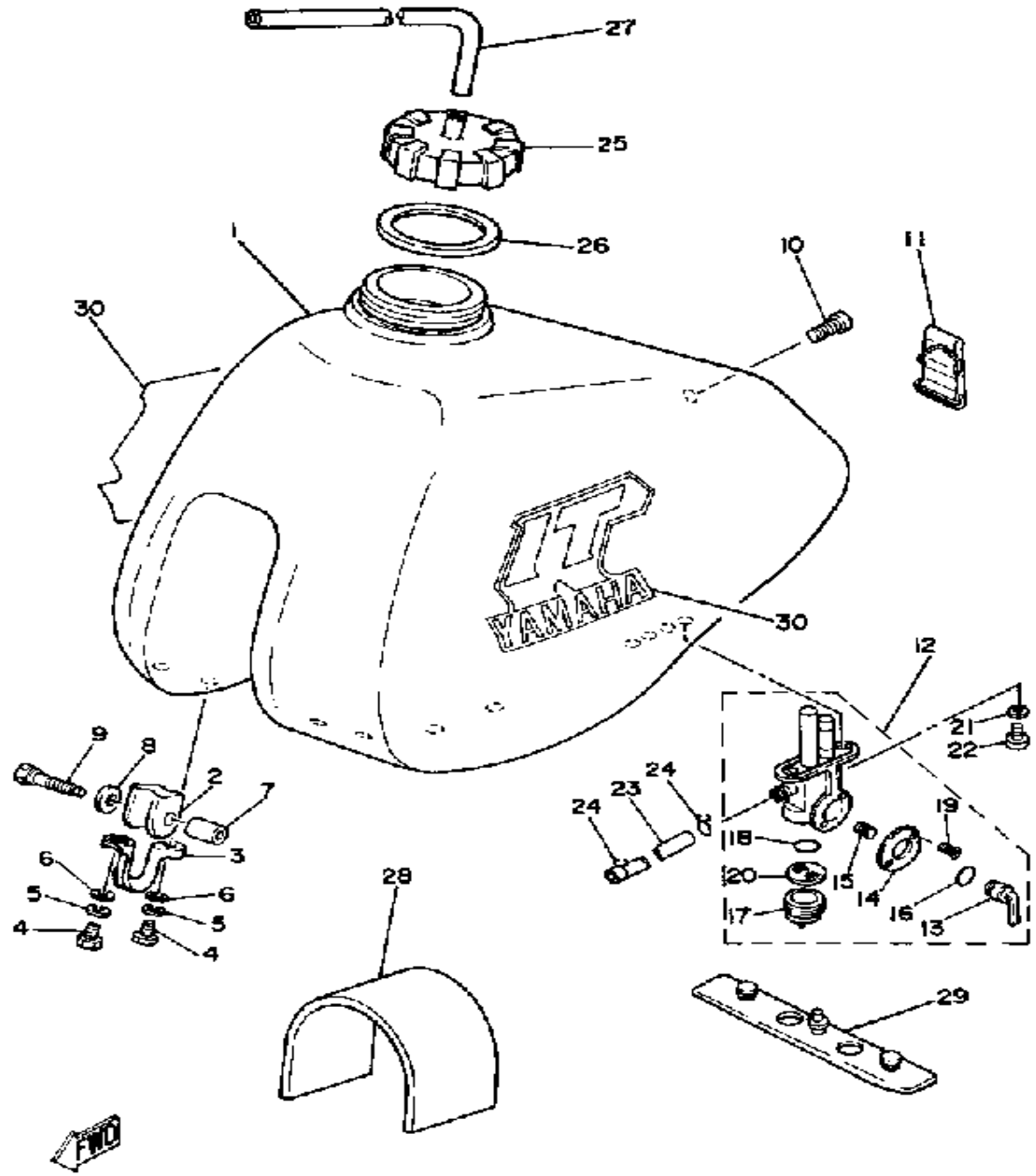
CONTINUED ON NEXT FRAME ➤

# FRONT FORK



| Ref. No. | Part Number       | Description                            | Qty | Remarks |
|----------|-------------------|----------------------------------------|-----|---------|
| 28       | 509-23158-L0-00   | . GASKET .....                         | 2   |         |
| 29       | 122-23129-00-00   | . GASKET, DRAIN PLUG .....             | 2   |         |
| 30       | 3R4-23181-L0-00   | . BOLT, HEX SCKT HEADSOCKET HEAD ..... | 2   |         |
| 31       | 90101-08340-00    | . BOLT .....                           | 4   |         |
| 32       | 95333-08600-00    | . NUT .....                            | 4   |         |
| 33       | 95311-06600-00    | . NUT .....                            | 4   |         |
| 34       | 92990-08100-00    | . WASHER .....                         | 4   |         |
| 35       | 92901-08600-00    | . WASHER .....                         | 3   |         |
| 36       | 92995-06100-00    | . WASHER, SPRING .....                 | 4   |         |
| 37       | 4H7-23119-00-00   | . PLUG, DRAIN - (122-23119-01)         | 2   |         |
| 38       | 98506-04020-00    | . SCREW, PAN HEAD .....                | 2   |         |
| 39       | 4V5-23389-00-00   | . GUIDE, CABLE .....                   | 1   |         |
| 40       | (1W4-23118-L0-00) | SPACER .....                           | 2   |         |

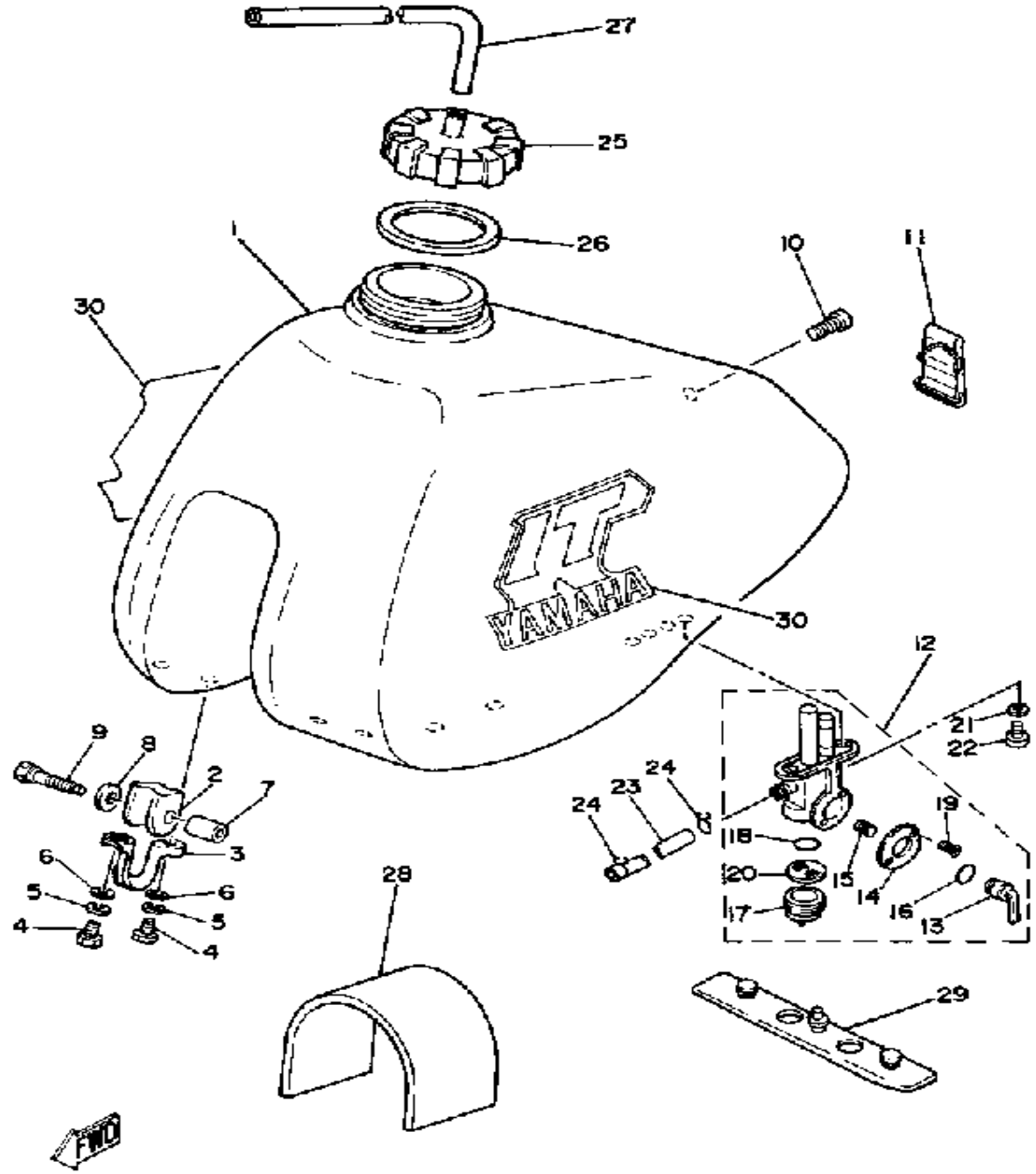
# FUEL TANK



| Ref. No. | Part Number       | Description                    | Qty | Remarks     |
|----------|-------------------|--------------------------------|-----|-------------|
| 1        | 4V5-24110-00-00   | FUEL TANK                      | 1   | CLEAN WHITE |
| 2        | 1W1-24182-01-00   | DAMPER, LOCATING 2             | 2   |             |
| 3        | 1W1-24144-01-00   | HOLDER, DAMPER                 | 2   |             |
| 4        | 97013-06012-00    | BOLT                           | 4   |             |
| 5        | 92995-06100-00    | WASHER, SPRING                 | 4   |             |
| 6        | 92901-06600-00    | WASHER                         | 4   |             |
| 7        | 90387-07393-00    | COLLAR (308-84557-00)          | 2   |             |
| 8        | 90201-06407-00    | WASHER, PLATE (90201-06747-00) | 2   |             |
| 9        | 90119-06022-00    | BOLT, WITH WASHER              | 2   |             |
| 10       | 98903-06018-00    | SCREW, BIND                    | 1   |             |
| 11       | 59V-24173-00-00   | BAND, TANK FITTING 1           | 1   |             |
| 12       | 4V5-24500-00-00   | FUEL COCK ASSEMBLY 1           | 1   |             |
| 13       | (4V5-24524-00-00) | LEVER, COCK                    | 1   |             |
| 14       | 4V5-24525-00-00   | . PLATE, LVR FITTING           | 1   |             |
| 15       | (357-24529-10-00) | SPRING                         | 1   |             |
| 16       | 4X8-24534-00-00   | . SEAL, COCK                   | 1   |             |
| 17       | 4X8-24521-00-00   | . CUP, FILTER                  | 1   |             |
| 18       | 4X8-24565-00-00   | . GASKET                       | 1   |             |
| 19       | 4X8-24535-00-00   | . SCREW, LVR FITTING           | 2   |             |
| 20       | 4X8-24515-01-00   | . NET, FILTER 2                | 1   |             |
| 21       | 90202-05187-00    | WASHER, PLATE                  | 2   |             |
| 22       | 90149-06011-00    | SCREW                          | 2   |             |
| 23       | 90445-11152-00    | HOSE                           | 1   |             |
| 24       | 90467-10008-00    | CLIP                           | 2   |             |
| 25       | 1K7-24611-01-00   | BODY, CAP                      | 1   |             |
| 26       | 1K7-24612-02-00   | GASKET, CAP                    | 1   |             |
| 27       | 90445-09361-00    | HOSE                           | 1   |             |
| 28       | 1W1-24183-00-00   | DAMPER, LOCATING 3             | 1   |             |

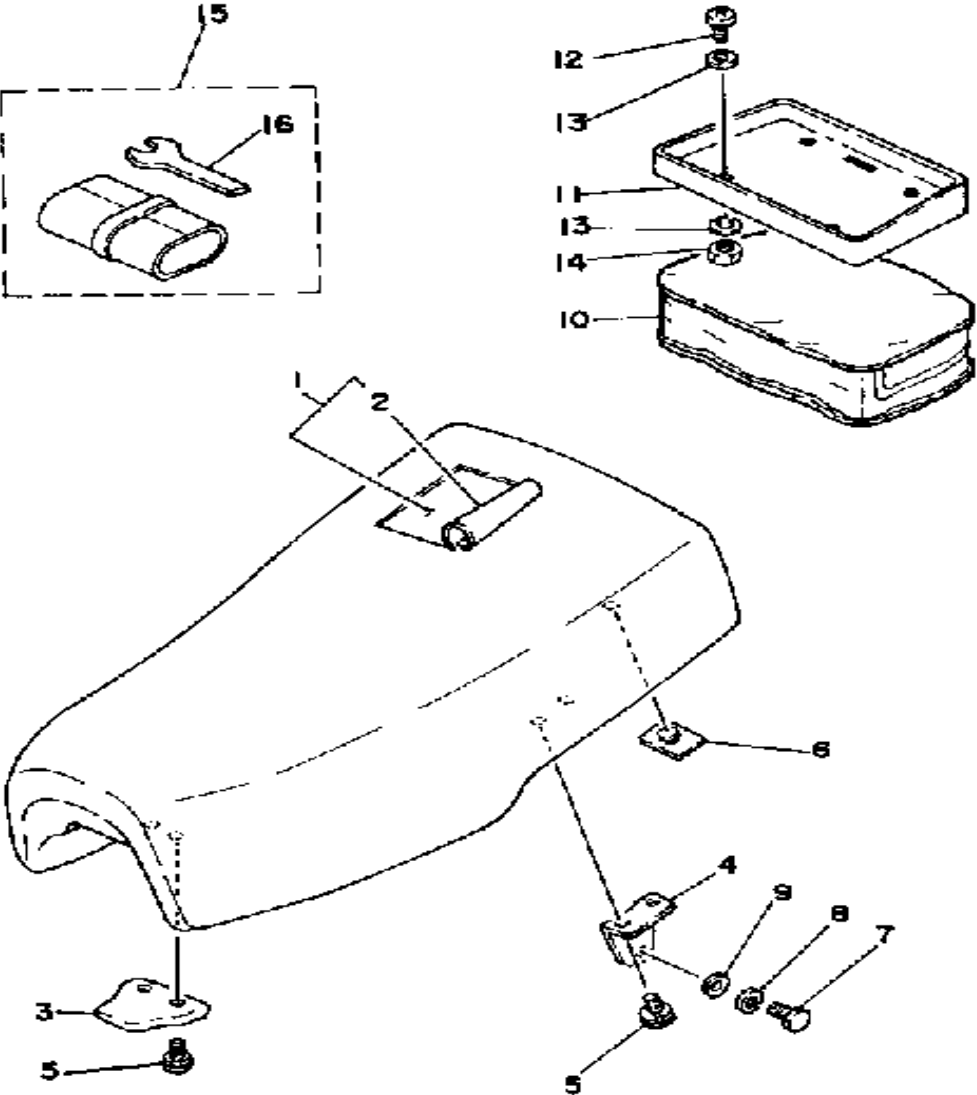
CONTINUED ON NEXT FRAME ►

# FUEL TANK



| Ref. No. | Part Number       | Description        | Qty | Remarks |
|----------|-------------------|--------------------|-----|---------|
| 29       | 3R4-24181-00-00   | DAMPER, LOCATING 1 | 1   |         |
| 30       | (3R9-24161-19-00) | EMBLEM 1           | 2   |         |

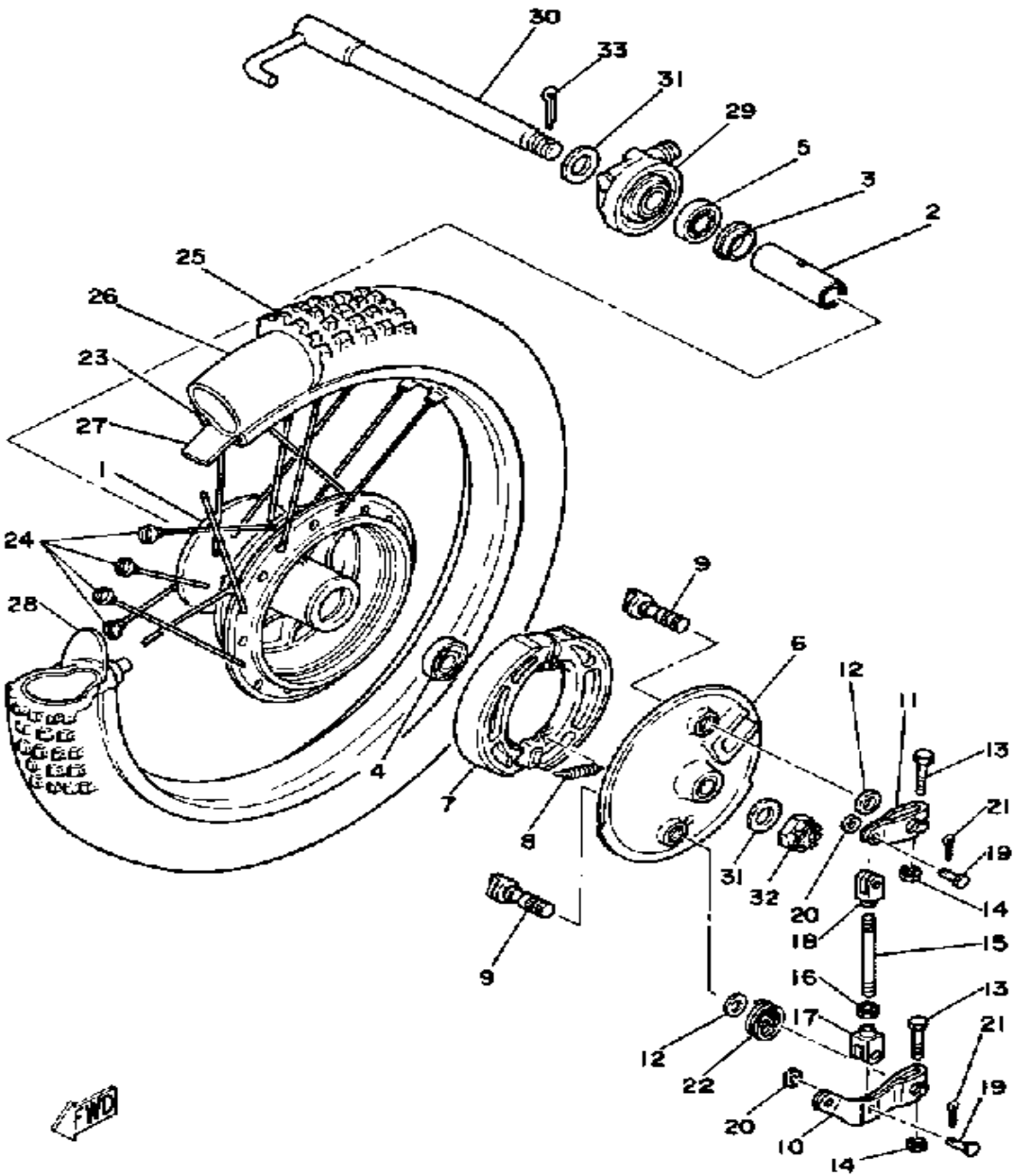
# SEAT



| Ref. No. | Part Number       | Description                               | Qty | Remarks |
|----------|-------------------|-------------------------------------------|-----|---------|
| 1        | (4V5-W2473-10-00) | SEMI-DBL-SEAT ASSEMBLY ..                 | 1   |         |
| 2        | 4V5-24771-10-00   | . COVER, SM-DBL SEAT (4V5-24771-00) ..... | 1   |         |
| 3        | 1M1-24748-00-00   | BRACKET, SEAT .....                       | 1   |         |
| 4        | 1W1-24738-00-00   | BRACKET, SEAT .....                       | 2   |         |
| 5        | 90101-06304-00    | BOLT .....                                | 6   |         |
| 6        | 509-24724-00-00   | DAMPER, SEAT .....                        | 2   |         |
| 7        | 97313-06016-00    | BOLT, HEXAGON .....                       | 2   |         |
| 8        | 92995-06100-00    | WASHER, SPRING .....                      | 2   |         |
| 9        | 92901-06600-00    | WASHER .....                              | 2   |         |
| 10       | 4V5-24850-00-00   | CARRIER BOX ASSEMBLY ...                  | 1   |         |
| 11       | 4V5-24833-00-00   | BRACKET, CARRIER 2 .....                  | 1   |         |
| 12       | 98580-06020-00    | SCREW .....                               | 4   |         |
| 13       | 90201-06067-00    | WASHER, PLATE .....                       | 8   |         |
| 14       | 95601-06100-00    | NUT, U .....                              | 4   |         |
| 15       | 1W2-W2810-00-00   | TOOL KIT .....                            | 1   |         |
| 16       | 10V-28135-00-00   | . SPANNER, SPECIAL .....                  | 1   |         |

FWD

# FRONT WHEEL

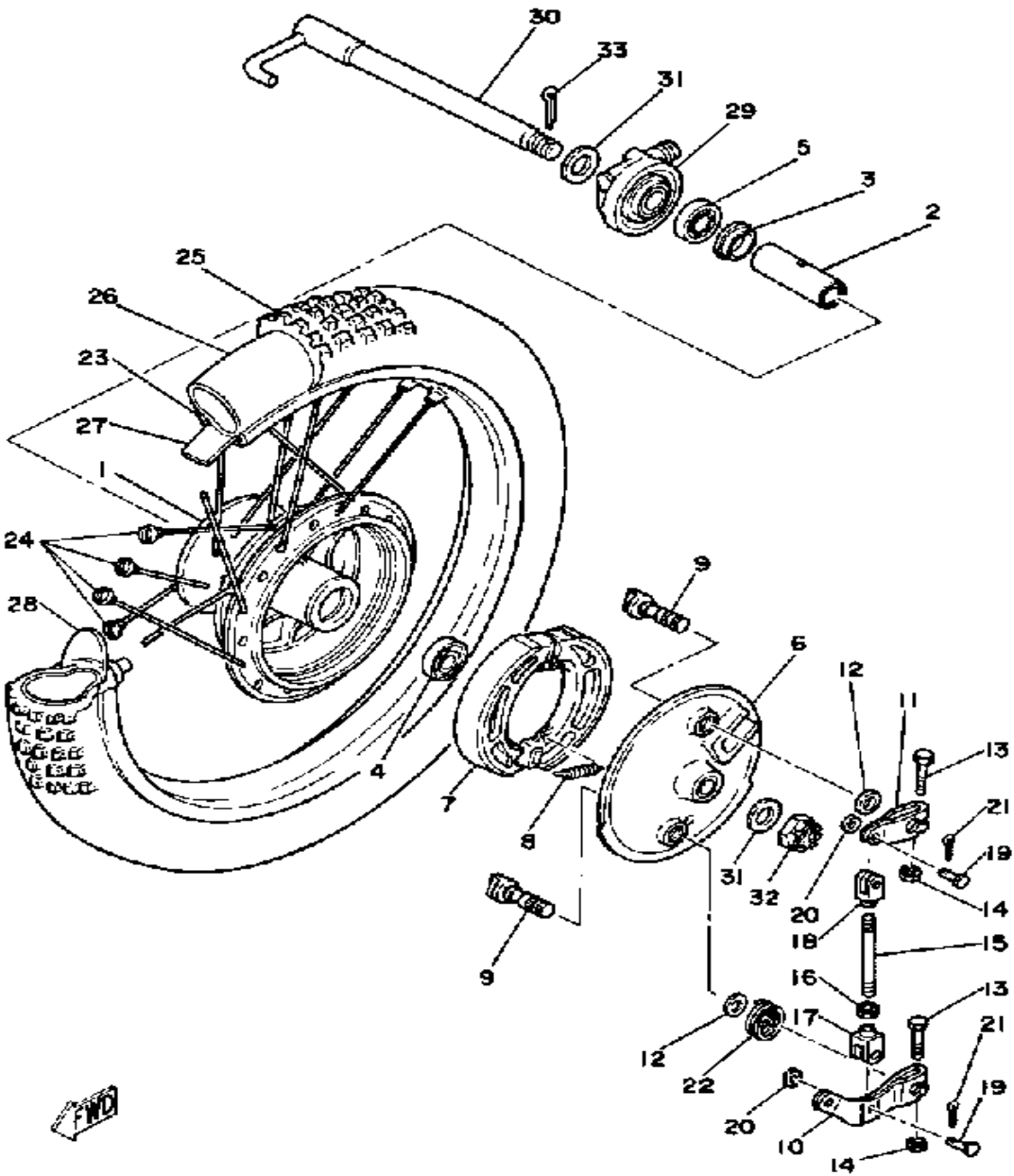


| Ref. No. | Part Number      | Description               | Qty | Remarks       |
|----------|------------------|---------------------------|-----|---------------|
| 1        | 1K7-25111-10-98  | HUB, FRONT                | 1   | LOW GLOSS BLK |
| 2        | 90560-15116-00   | SPACER                    | 1   |               |
| 3        | 146-25116-00-00  | FLANGE, SPACER 2          | 1   |               |
| 4        | 93306-20226-00   | BEARING                   | 1   |               |
| 5        | 93306-20209-00   | BEARING (B6202)           | 1   |               |
| 6        | 3R5-25121-01-98  | PLATE, BRAKE SHOE         | 1   | LOW GLOSS BLK |
| 7        | 3R5-W2535-00-00  | BRAKESHOE SET-2PCS        | 2   |               |
| 8        | 90506-17328-00   | SPRING, TENSION           | 2   |               |
| 9        | 23X-25151-00-00  | CAMSHAFT                  | 2   |               |
| 10       | 3R5-25155-00-00  | LEVER, CAMSHAFT 1         | 1   |               |
| 11       | 3R5-25156-00-00  | LEVER, CAMSHAFT 2         | 1   |               |
| 12       | 137-25159-00-00  | SEAL, CAMSHAFT            | 2   |               |
| 13       | 90101-06278-00   | BOLT                      | 2   |               |
| 14       | 95380-06600-00   | NUT                       | 2   |               |
| 15       | 3R5-25161-00-00  | ROD, CONNECTING           | 1   |               |
| 16       | 95380-06700-00   | NUT                       | 1   |               |
| 17       | 3R5-25163-00-00  | END, ROD 1                | 1   |               |
| 18       | 3R5-25164-00-00  | END, ROD 2                | 1   |               |
| 19       | 90240-06006-00   | PIN, CLEVIS               | 2   |               |
| 20       | 92990-06200-00   | WASHER                    | 2   |               |
| 21       | 91490-20020-00   | PIN, COTTER               | 2   |               |
| 22       | 90508-20525-00   | UNAVAILABLE IN PRICE BOOK | 1   |               |
| 23       | 94416-21234-00   | RIM 1.60X 1               | 1   |               |
| 24       | 2W6-25104-02-00  | SPOKE SET, FRONT          | 1   |               |
| 25       | (94130-21654-00) | 300-21 MARK 2 (TT)        | 1   |               |
| 26       | 94230-21126-00   | TUBE (3.00-21)            | 1   |               |
| 27       | (94330-21088-00) | BAND, RIM                 | 1   |               |
| 28       | 5X2-25394-00-00  | SPACER, BEAD              | 1   |               |
| 29       | 1W2-25190-00-00  | GEAR UNIT ASSEMBLY        | 1   |               |

CONTINUED ON NEXT FRAME ➤

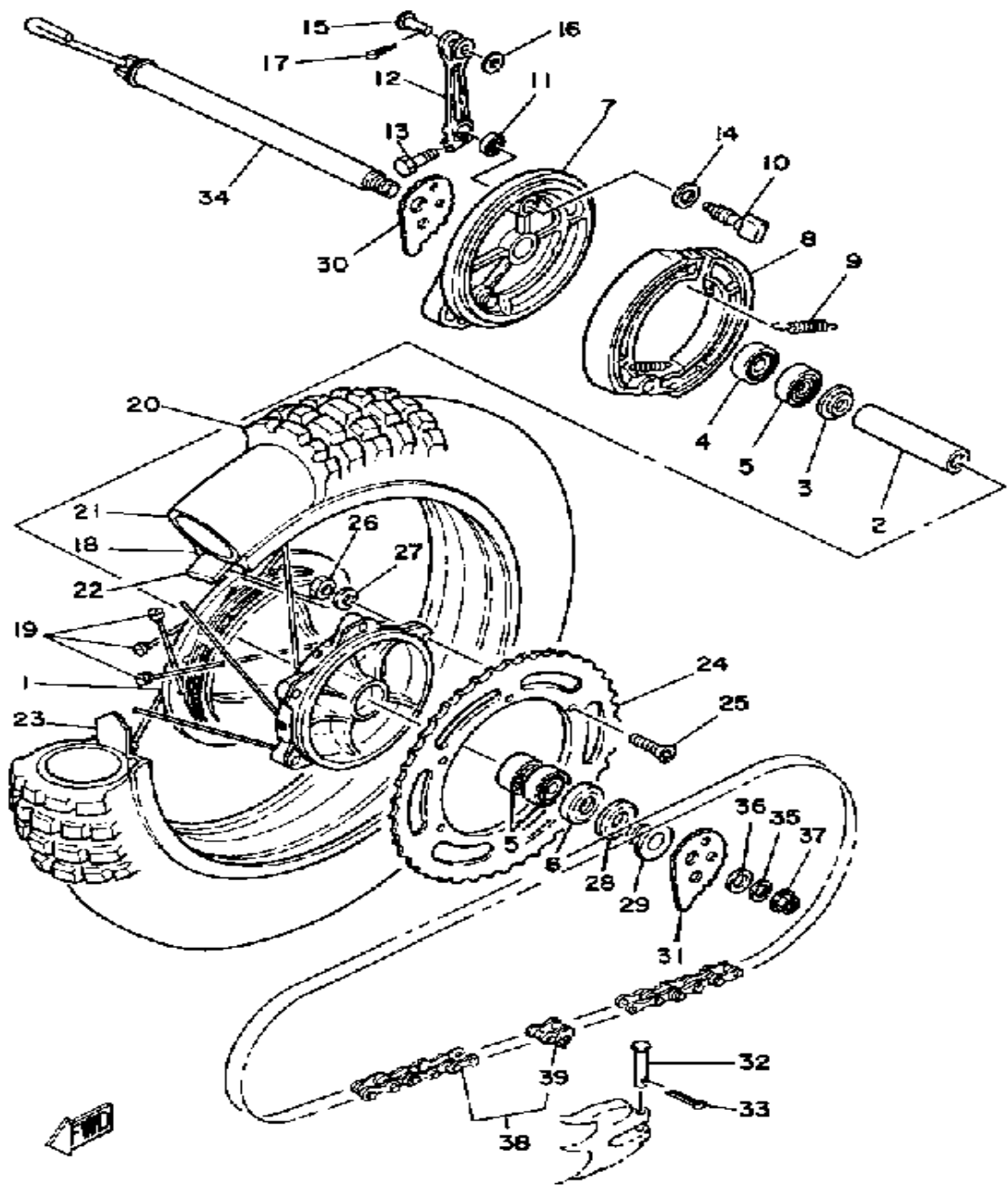


# FRONT WHEEL



| Ref. No. | Part Number      | Description         | Qty | Remarks |
|----------|------------------|---------------------|-----|---------|
| 30       | (99999-01618-00) | AXLE, WHEEL .....   | 1   |         |
| 31       | 90201-15785-00   | WASHER, PLATE ..... | 2   |         |
| 32       | 90171-14020-00   | NUT, CASTLE .....   | 1   |         |
| 33       | 91401-30030-00   | PIN, COTTER .....   | 1   |         |

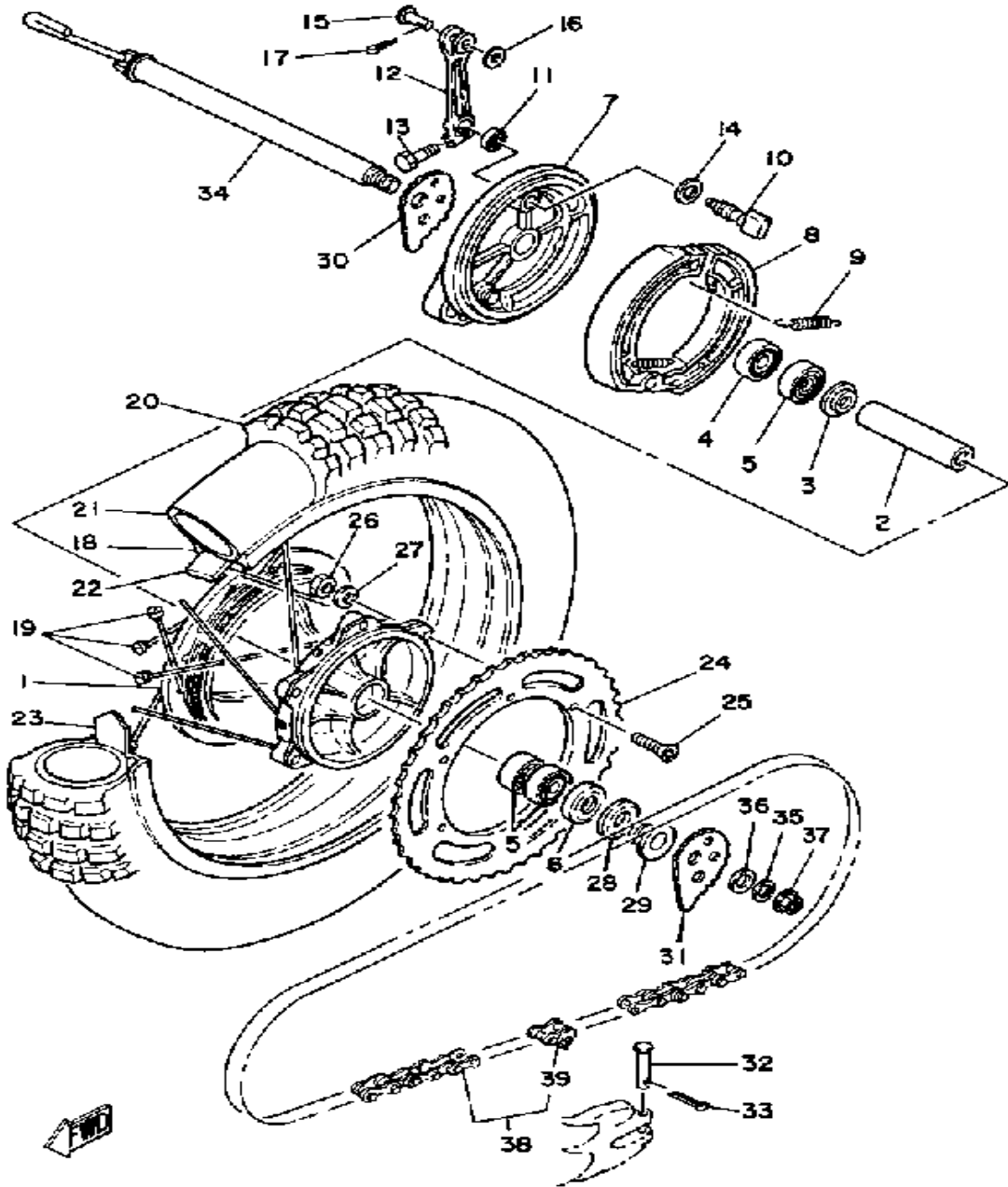
# REAR WHEEL



| Ref. No. | Part Number      | Description                              | Qty | Remarks                     |
|----------|------------------|------------------------------------------|-----|-----------------------------|
| 1        | 4V4-25311-00-98  | HUB, REAR                                | 1   | LOW GLOSS BLACK             |
| 2        | 90560-20226-00   | SPACER                                   | 1   |                             |
| 3        | 4V4-25315-00-00  | FLANGE, SPACER                           | 1   |                             |
| 4        | 93306-00418-00   | BEARING                                  | 1   |                             |
| 5        | 93306-00406-00   | BEARING (B6004Z)                         | 3   |                             |
| 6        | 93102-28022-00   | OIL SEAL                                 | 1   |                             |
| 7        | 4V5-25321-01-98  | PLATE, BRAKE SHOE                        | 1   | LOW GLOSS BLACK             |
| 8        | 40T-W2536-00-00  | BRAKESHOE SET-2PCS                       | 2   |                             |
| 9        | 90507-20002-00   | SPRING, TENSION                          | 2   |                             |
| 10       | 5L4-25351-00-00  | CAMSHAFT                                 | 1   |                             |
| 11       | 148-25359-00-00  | SEAL, CAMSHAFT                           | 1   |                             |
| 12       | 4V5-25355-00-00  | LEVER, CAMSHAFT (168-25355-00)           | 1   |                             |
| 13       | 90101-06291-00   | BOLT                                     | 1   |                             |
| 14       | 148-25353-00-00  | SHIM, CAMSHAFT                           | 1   |                             |
| 15       | 1W2-27237-00-00  | PIN, CLEVIS                              | 1   |                             |
| 16       | 90201-12631-00   | WASHER, PLATE                            | 1   |                             |
| 17       | 91401-25030-00   | PIN, COTTER                              | 1   |                             |
| 18       | 94425-17281-00   | RIM 2.50X 7                              | 1   |                             |
| 19       | 4V6-25304-00-00  | SPOKE SET, REAR                          | 1   |                             |
| 20       | (94156-17675-00) | 5.60 17 IRC TIRE                         | 1   |                             |
| 21       | 94240-17164-00   | TUBE (94246-17158)                       | 1   |                             |
| 22       | 94332-17112-00   | BAND, RIM (94332-17107) (3.25-17)        | 1   |                             |
| 23       | 2X5-25394-00-00  | SPACER, BEAD                             | 2   |                             |
| 24       | 26A-25442-50-00  | SPROCKET, DRIVN 42T                      | 1   | ALTERNATE PART YAMAHA BLACK |
|          | 26A-25444-50-00  | SPROCKET, DRIVEN (44T)                   | 1   | U.R. STD YAMAHA BLACK       |
|          | 26A-25446-50-33  | SPROCKET, DRIVEN (46T) (26A-25446-50-00) | 1   | ALTERNATE PART YAMAHA BLACK |

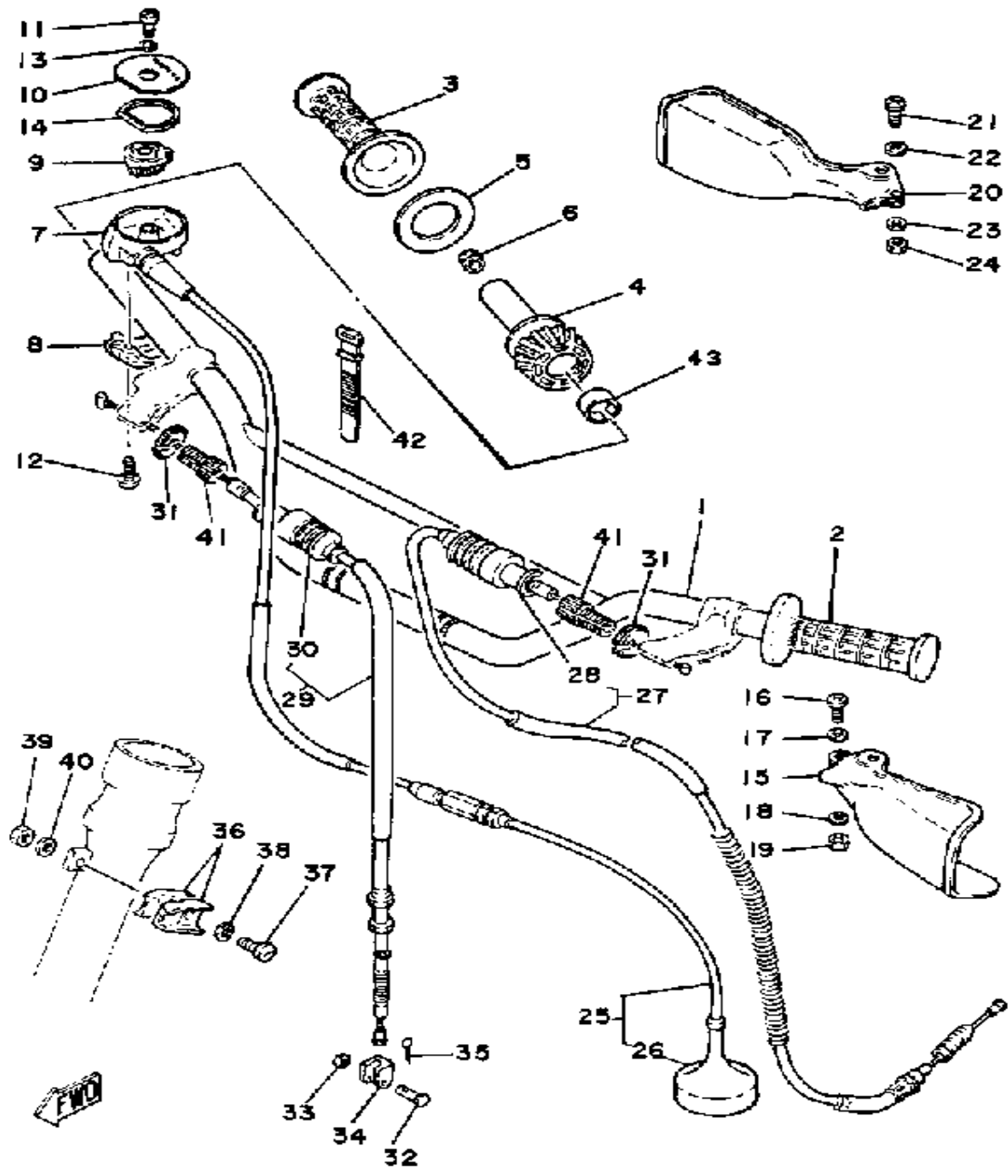
CONTINUED ON NEXT FRAME ➤

# REAR WHEEL



| Ref. No. | Part Number     | Description              | Qty | Remarks |
|----------|-----------------|--------------------------|-----|---------|
| 25       | 90110-08038-00  | BOLT, HEX SKT HEAD       | 6   |         |
| 26       | 90185-08089-00  | NUT, SELF-LOCKING        | 6   |         |
| 27       | 90201-081A6-00  | WASHER, PLATE            | 6   |         |
| 28       | 4V4-25367-00-00 | COVER, HUB DUST          | 1   |         |
| 29       | 90387-201E6-00  | COLLAR                   | 1   |         |
| 30       | 4V5-25389-00-00 | PULLER, CHAIN 2          | 1   |         |
| 31       | 4V5-25388-01-00 | PULLER, CHAIN 1          | 1   |         |
| 32       | 91701-05055-00  | PIN, CLEVIS              | 2   |         |
| 33       | 91490-16020-00  | PIN, COTTER              | 2   |         |
| 34       | 4V5-25381-00-00 | AXLE, WHEEL              | 1   |         |
| 35       | 92990-08100-00  | WASHER                   | 1   |         |
| 36       | 92901-20600-00  | WASHER, WAVE             | 1   |         |
| 37       | 90179-18332-00  | NUT                      | 1   |         |
| 38       | 94585-20108-00  | 520 DS 108L (520DS-108L) | 1   |         |
| 39       | 94685-20001-00  | . JOINT CHAIN            | 1   |         |

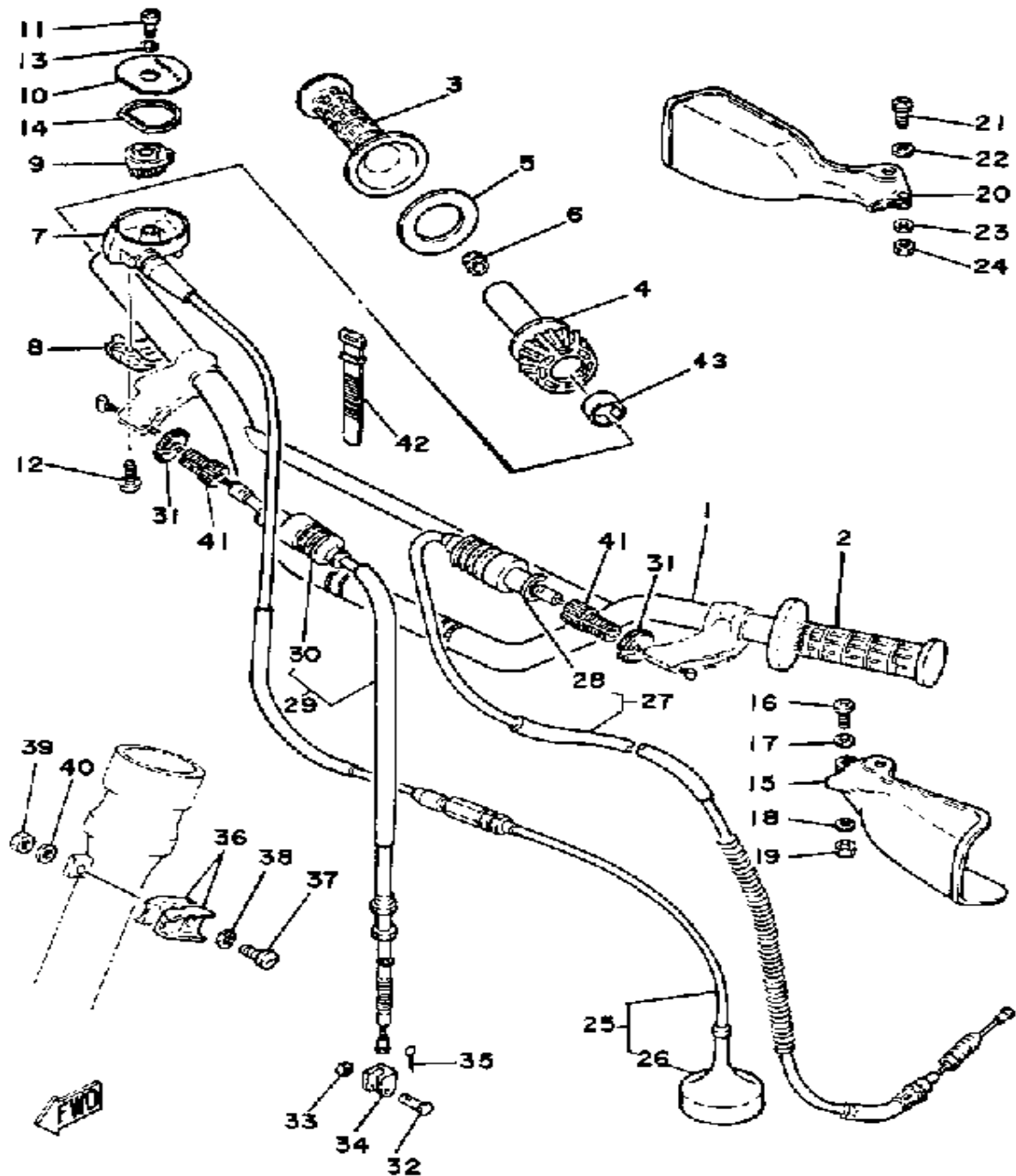
# HANDLEBAR-CABLE



| Ref. No. | Part Number     | Description                         | Qty | Remarks |
|----------|-----------------|-------------------------------------|-----|---------|
| 1        | 3R4-26111-00-00 | HANDLEBAR .....                     | 1   |         |
| 2        | 4V4-26241-01-00 | GRIP (L.H.) (4V4-26241-00) ...      | 1   |         |
| 3        | 1LX-26242-01-00 | GRIP (RIGHT) .....                  | 1   |         |
| 4        | 4V6-26243-00-00 | TUBE, THRTL GUIDE .....             | 1   |         |
| 5        | 4V4-26249-00-00 | RING, LEAF .....                    | 1   |         |
| 6        | 90338-12192-00  | PLUG .....                          | 1   |         |
| 7        | 4V4-26281-00-00 | CAP, GRIP UPPER .....               | 1   |         |
| 8        | 4V4-26282-00-00 | CAP, GRIP LOWER .....               | 1   |         |
| 9        | 4V6-2628E-00-00 | GEAR, BEVEL .....                   | 1   |         |
| 10       | 4V4-2628F-09-00 | CAP, GEAR (4V4-2628F-00) ...        | 1   |         |
| 11       | 98906-05010-00  | SCREW, BIND .....                   | 1   |         |
| 12       | 98580-05016-00  | SCREW, PAN HEAD .....               | 2   |         |
| 13       | 90430-05009-00  | GASKET .....                        | 1   |         |
| 14       | 4V4-2628G-00-00 | PACKING .....                       | 1   |         |
| 15       | 3Y0-26141-00-00 | GUARD, BRUSH 1 .....                | 1   | WHITE   |
| 16       | 98503-06014-00  | SCREW, PAN HEAD (92502-06016) ..... | 1   |         |
| 17       | 92901-06600-00  | WASHER .....                        | 1   |         |
| 18       | 92990-06200-00  | WASHER .....                        | 1   |         |
| 19       | 95380-06700-00  | NUT .....                           | 1   |         |
| 20       | 3Y0-26142-00-00 | GUARD, BRUSH 2 .....                | 1   | WHITE   |
| 21       | 98503-06014-00  | SCREW, PAN HEAD (92502-06016) ..... | 1   |         |
| 22       | 92901-06600-00  | WASHER .....                        | 1   |         |
| 23       | 92990-06200-00  | WASHER .....                        | 1   |         |
| 24       | 95380-06700-00  | NUT .....                           | 1   |         |
| 25       | 4V4-26311-00-00 | CABLE, THROTTLE 1 .....             | 1   |         |
| 26       | 510-26329-00-00 | . CAP, RUBBER .....                 | 1   |         |
| 27       | 4V5-26335-01-00 | CABLE, CLUTCH .....                 | 1   |         |

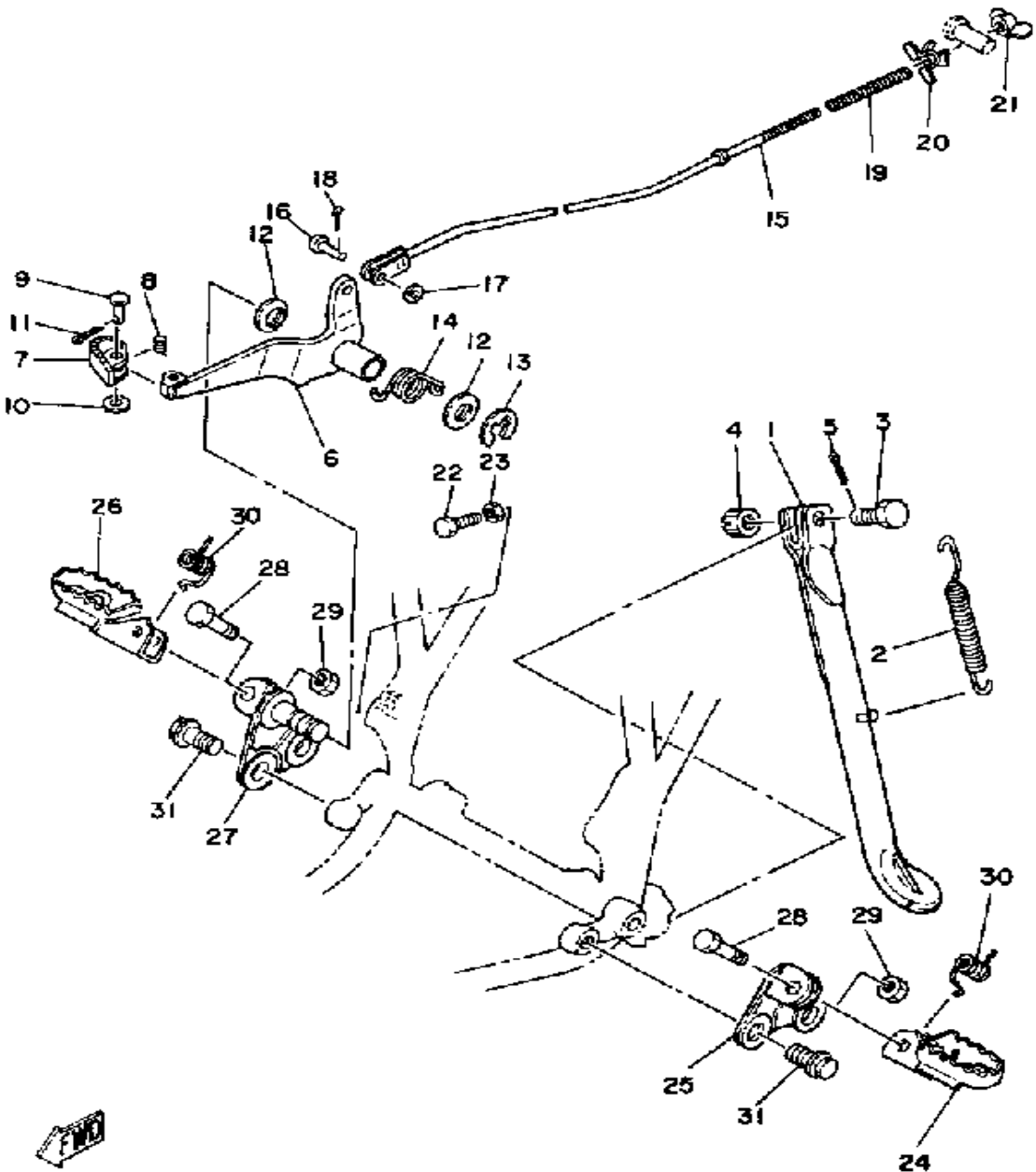
CONTINUED ON NEXT FRAME ►

# HANDLEBAR-CABLE



| Ref. No. | Part Number     | Description                        | Qty | Remarks |
|----------|-----------------|------------------------------------|-----|---------|
| 28       | 1E6-26342-00-00 | . BOOT, CABLE .....                | 1   |         |
| 29       | 4V5-26341-00-00 | CABLE, BRAKE .....                 | 1   |         |
| 30       | 1E6-26342-00-00 | . BOOT, CABLE .....                | 1   |         |
| 31       | 90179-08148-00  | NUT .....                          | 2   |         |
| 32       | 90240-08013-00  | PIN, CLEVIS .....                  | 1   |         |
| 33       | 90201-08083-00  | WASHER, PLATE .....                | 1   |         |
| 34       | 156-26347-00-00 | JOINT, CABLE .....                 | 1   |         |
| 35       | 91490-20020-00  | PIN, COTTER .....                  | 1   |         |
| 36       | 90462-14055-00  | CLAMP .....                        | 2   |         |
| 37       | 98511-06025-00  | SCREW PAN HEAD (92501-06025) ..... | 1   |         |
| 38       | 92995-06100-00  | WASHER, SPRING .....               | 1   |         |
| 39       | 95380-06600-00  | NUT .....                          | 1   |         |
| 40       | 92901-06600-00  | WASHER .....                       | 1   |         |
| 41       | 90123-08046-00  | BOLT .....                         | 2   |         |
| 42       | 437-83936-11-00 | BAND, SWITCH CORD .....            | 1   |         |
| 43       | 90387-22660-00  | COLLAR .....                       | 1   |         |

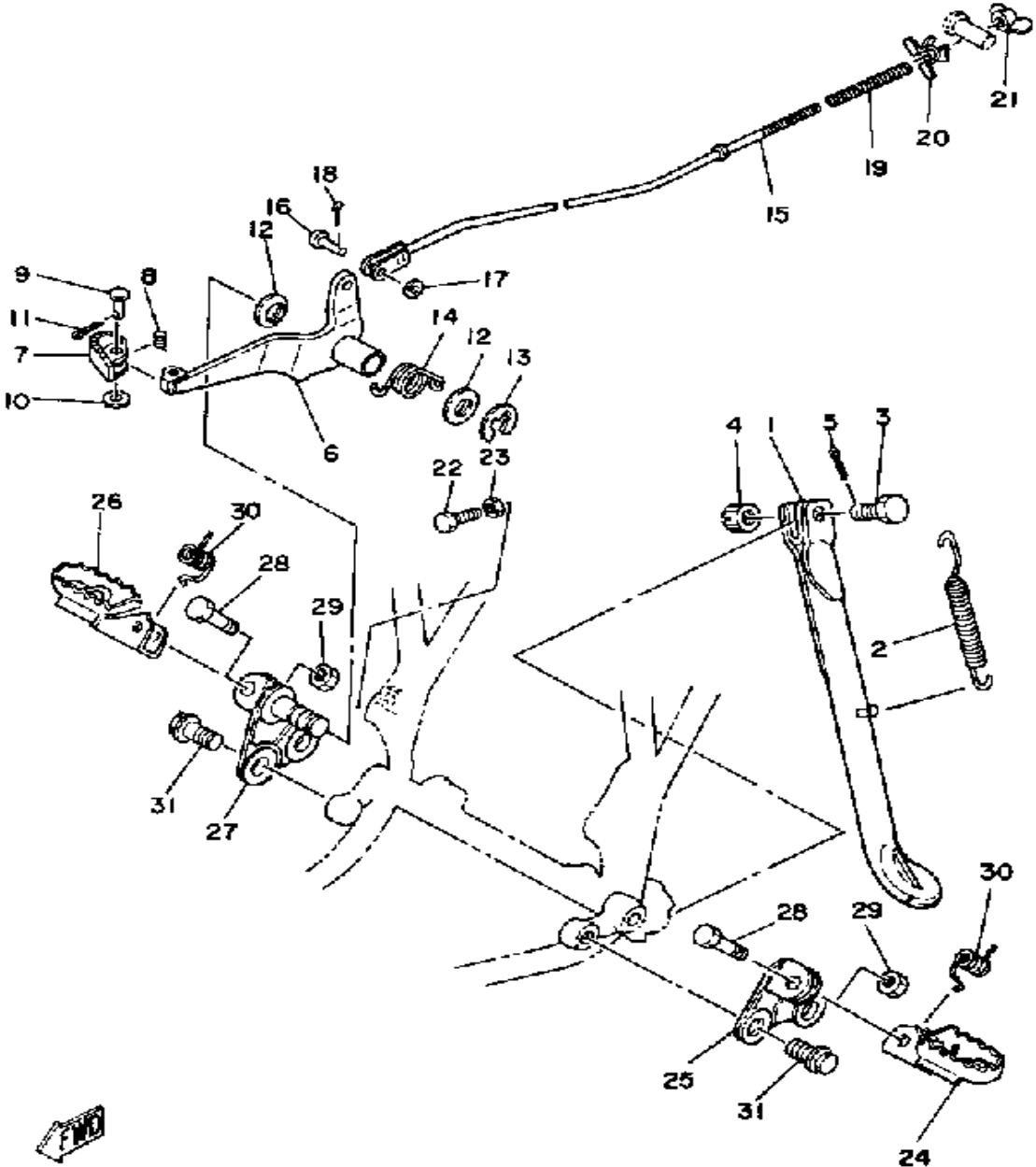
# STAND-FOOTREST



| Ref. No. | Part Number     | Description                    | Qty | Remarks      |
|----------|-----------------|--------------------------------|-----|--------------|
| 1        | 4V5-27311-01-33 | STAND, SIDE                    | 1   | YAMAHA BLACK |
| 2        | 90507-29008-00  | SPRING, TENSION                | 1   |              |
| 3        | 90102-10006-00  | BOLT, WITH HOLE (278-27317-00) | 1   |              |
| 4        | 95303-10900-00  | NUT, SLOTTED                   | 1   |              |
| 5        | 91490-20025-00  | PIN, SPLIT                     | 1   |              |
| 6        | 4V5-27211-00-00 | PEDAL, BRAKE                   | 1   |              |
| 7        | 3R8-27242-00-00 | PEDAL, BRAKE                   | 1   |              |
| 8        | 90508-14429-00  | SPRING, TORSION                | 1   |              |
| 9        | 91701-06028-00  | PIN, CLEVIS                    | 1   |              |
| 10       | 92901-06600-00  | WASHER                         | 1   |              |
| 11       | 91490-20020-00  | PIN, COTTER                    | 1   |              |
| 12       | 4V5-27286-00-00 | COVER, DUST                    | 2   |              |
| 13       | 93430-10015-00  | CIRCLIP, E-TYPE                | 1   |              |
| 14       | 90508-32478-00  | SPRING, TORSION                | 1   |              |
| 15       | 4V6-27231-00-00 | ROD, BRAKE                     | 1   |              |
| 16       | 90240-06103-00  | PIN, CLEVIS                    | 1   |              |
| 17       | 92990-06200-00  | WASHER                         | 1   |              |
| 18       | 91490-20020-00  | PIN, COTTER                    | 1   |              |
| 19       | 90501-10245-00  | SPRING, COMPRESSION            | 1   |              |
| 20       | 1W2-27239-00-00 | SEAT, SPRING                   | 1   |              |
| 21       | 90179-06411-00  | NUT                            | 1   |              |
| 22       | 97011-06020-00  | BOLT                           | 1   |              |
| 23       | 95380-06700-00  | NUT                            | 1   |              |
| 24       | 5X3-27411-00-00 | FOOTREST 1 (250H)              | 1   |              |
| 25       | 4V5-27412-00-00 | BRACKET, FOOTREST 1            | 1   |              |
| 26       | 4V4-27421-00-00 | FOOTREST 2 (250H)              | 1   |              |
| 27       | 4V5-27422-00-00 | BRACKET, FOOTREST 2            | 1   |              |
| 28       | 90101-08428-00  | BOLT                           | 2   |              |

CONTINUED ON NEXT FRAME ►

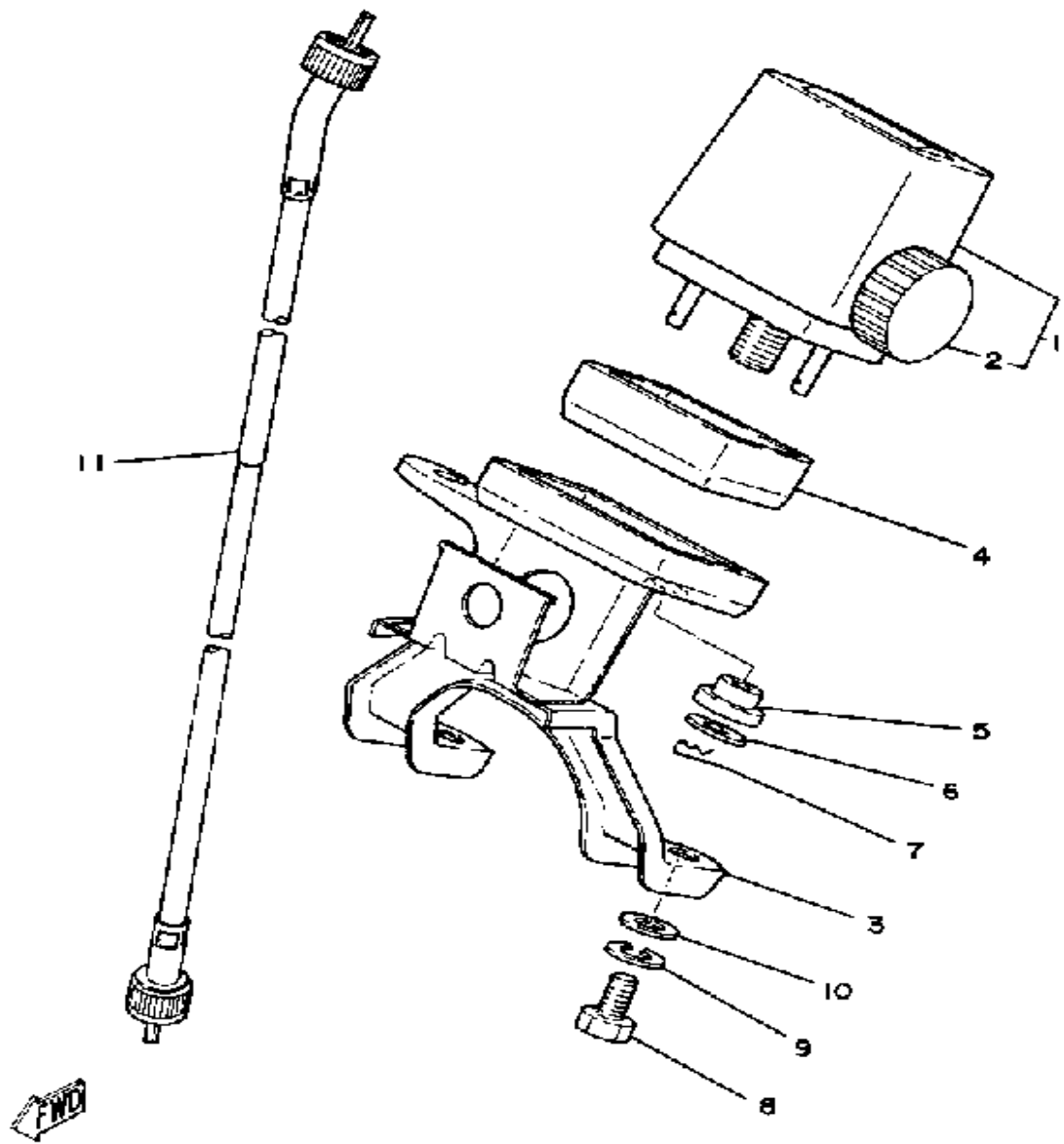
# STAND-FOOTREST



| Ref. No. | Part Number    | Description              | Qty | Remarks |
|----------|----------------|--------------------------|-----|---------|
| 29       | 95611-08100-00 | NUT, U .....             | 2   |         |
| 30       | 90508-20023-00 | SPRING, TORSION .....    | 2   |         |
| 31       | 90105-12096-00 | BOLT, WASHER BASED ..... | 4   |         |

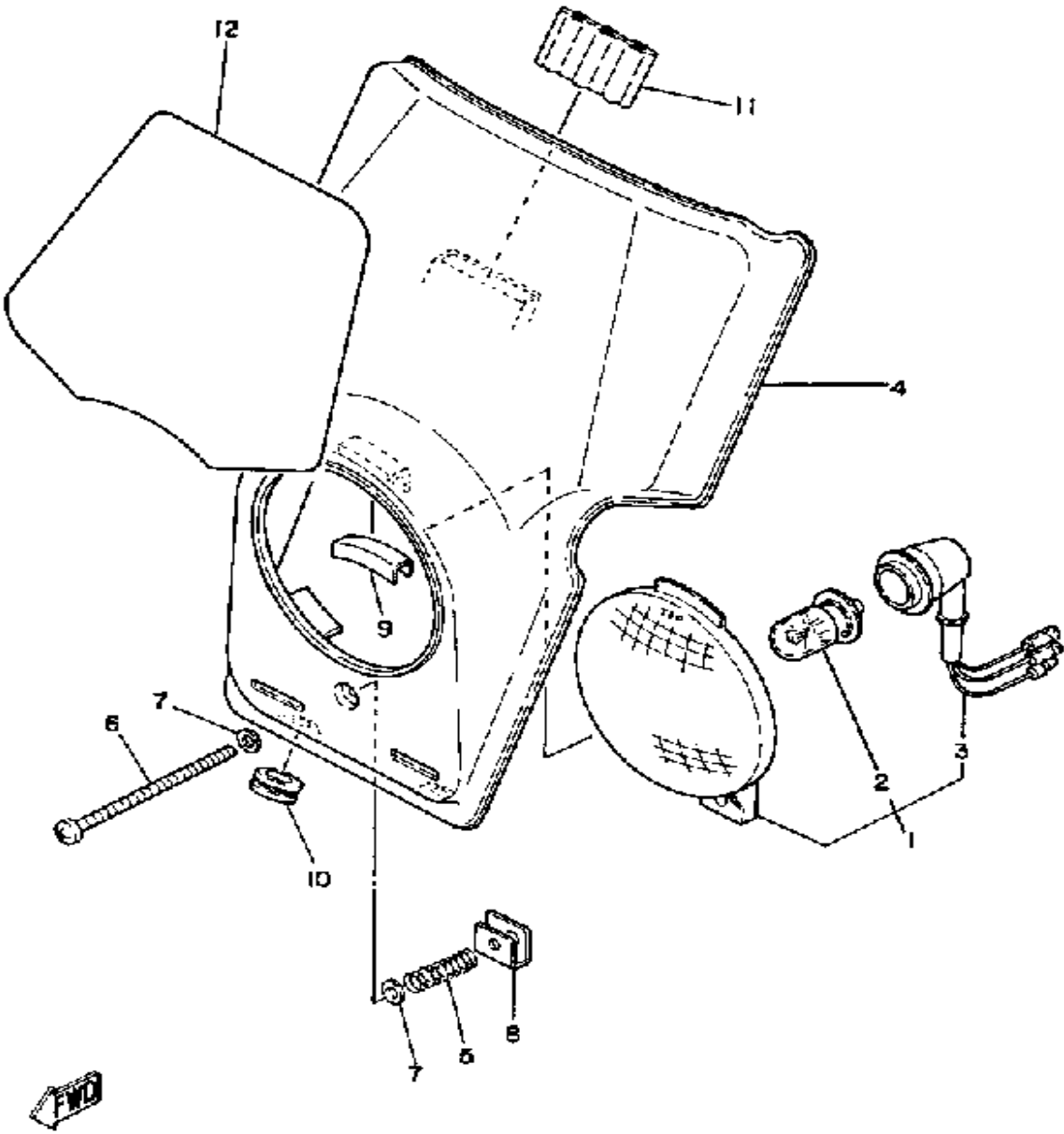
# METER

| Ref. No. | Part Number     | Description              | Qty | Remarks |
|----------|-----------------|--------------------------|-----|---------|
| 1        | 4V5-83505-60-00 | TRIP METER CMPLT .....   | 1   | MILE/H  |
| 2        | 4V5-83578-00-00 | . KNOB, TRIP METER ..... | 1   |         |
| 3        | 4V5-83519-00-00 | BRACKET, METER .....     | 1   |         |
| 4        | 4V5-83513-00-00 | DAMPER .....             | 1   |         |
| 5        | 1M1-83526-00-00 | DAMPER 2 .....           | 2   |         |
| 6        | 90201-052E2-00  | WASHER, PLATE .....      | 2   |         |
| 7        | 90468-10050-00  | CLIP .....               | 2   |         |
| 8        | 97013-06012-00  | BOLT .....               | 2   |         |
| 9        | 92995-06100-00  | WASHER, SPRING .....     | 2   |         |
| 10       | 92901-06600-00  | WASHER .....             | 2   |         |
| 11       | 4V5-83550-01-00 | SPEEDOMETER CABLE .....  | 1   |         |



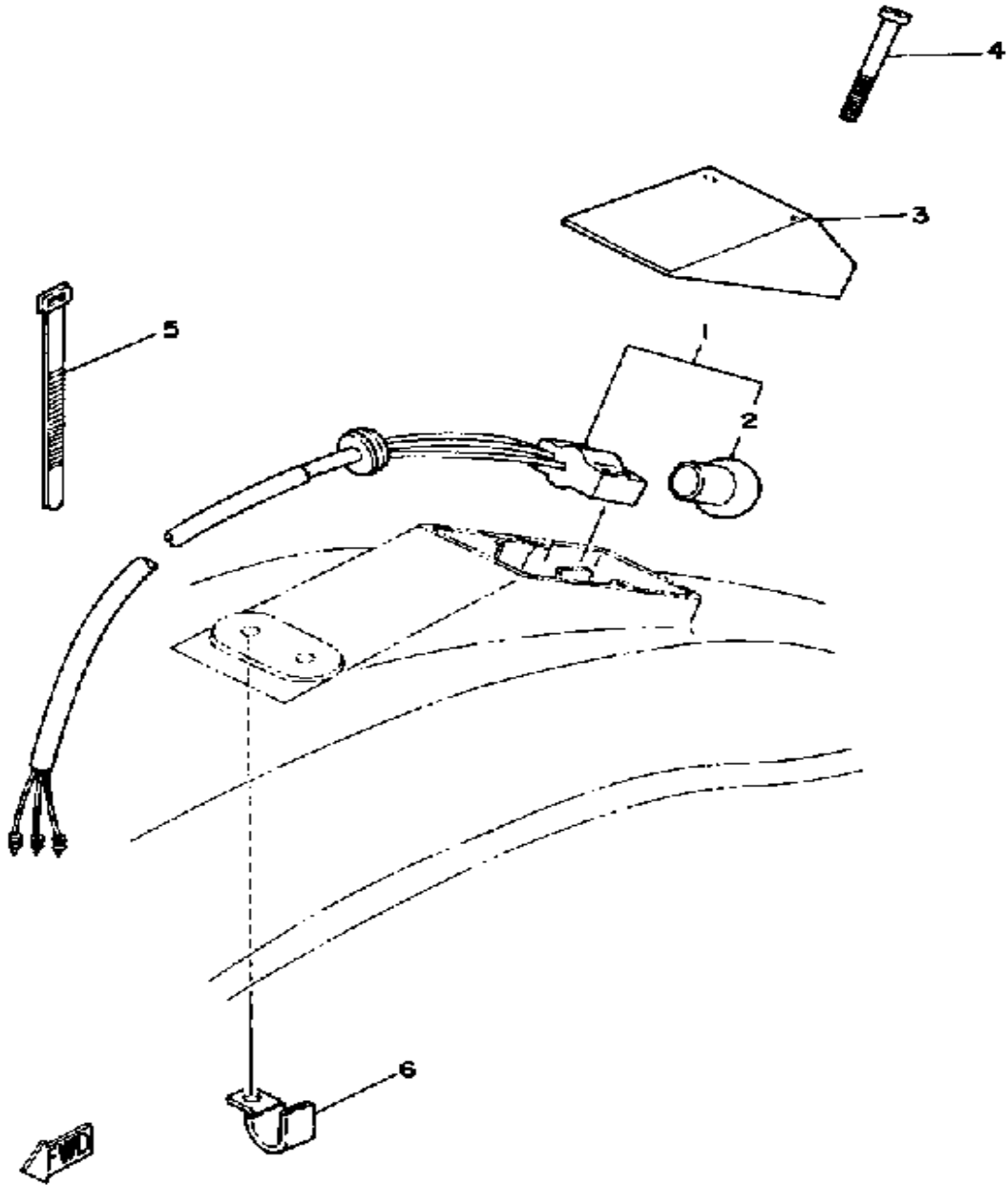


# HEADLIGHT



| Ref. No. | Part Number       | Description                   | Qty | Remarks     |
|----------|-------------------|-------------------------------|-----|-------------|
| 1        | 4V5-84110-00-00   | HEADLIGHT UNIT ASSEMBLY .     | 1   |             |
| 2        | 527-84114-09-XX   | . BULB, HL 6V25/25W . . . . . | 1   |             |
| 3        | 4V5-84140-00-00   | . SOCKET CORD ASSEMBLY .      | 1   |             |
| 4        | (4V5-84130-00-00) | BODY ASSEMBLY, HEADLIGHT      | 1   | CLEAN WHITE |
| 5        | 4V5-84132-00-00   | SPRING, SCREW . . . . .       | 1   |             |
| 6        | 849-84724-00-00   | SCREW, LENS FITTING . . . . . | 1   |             |
| 7        | 92901-04600-00    | WASHER, PLATE . . . . .       | 2   |             |
| 8        | 4V5-84134-00-00   | NUT, ADJUST . . . . .         | 1   |             |
| 9        | (4V5-84143-00-00) | DAMPER, HDLT STAY . . . . .   | 1   |             |
| 10       | 90480-12053-00    | GROMMET . . . . .             | 2   |             |
| 11       | 4V5-83592-00-00   | DAMPER . . . . .              | 1   |             |
| 12       | 4V5-84141-00-00   | EMBLEM, HEADLIGHT . . . . .   | 1   |             |

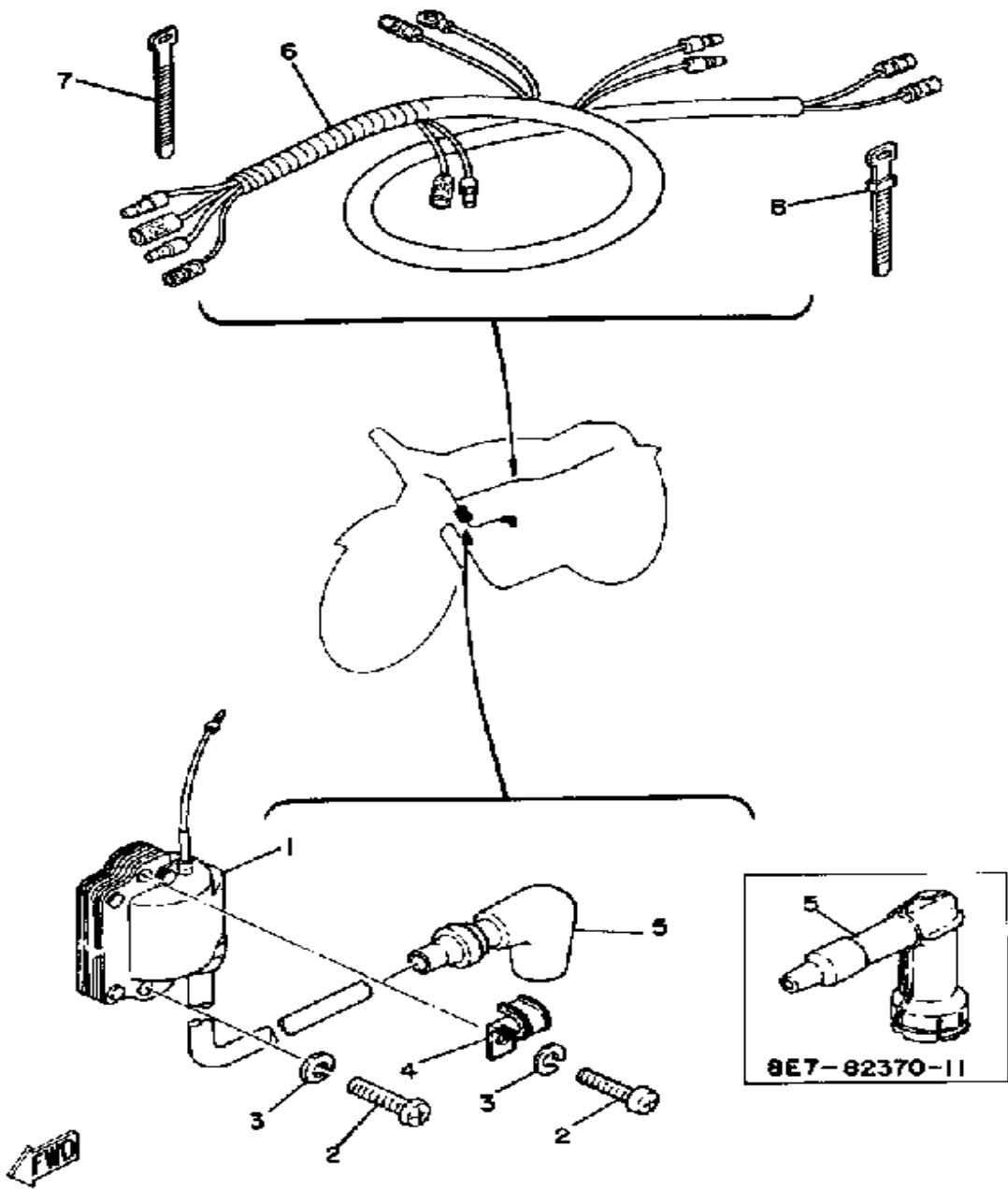
# TAILLIGHT



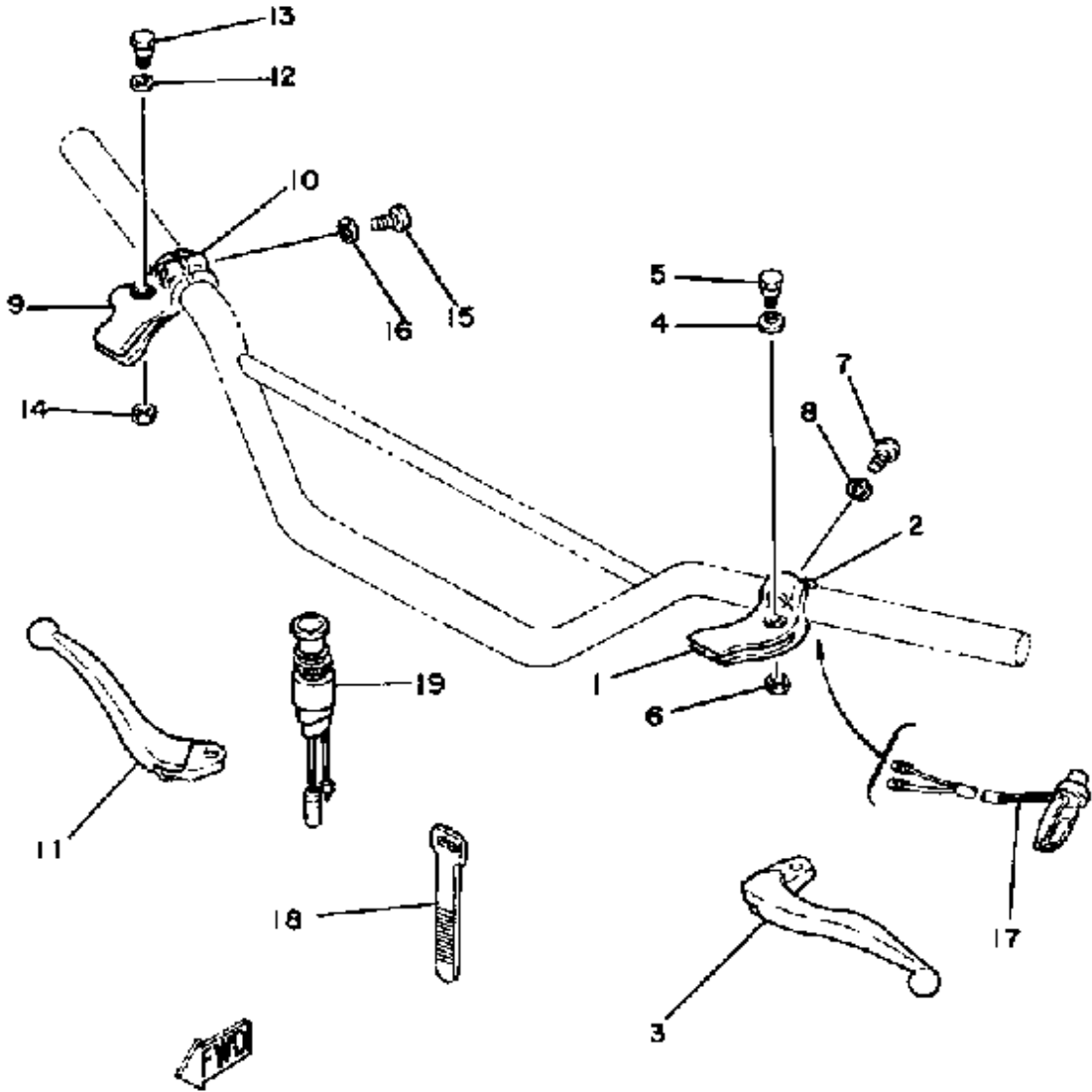
| Ref. No. | Part Number     | Description               | Qty | Remarks |
|----------|-----------------|---------------------------|-----|---------|
| 1        | 4V5-84536-00-00 | SOCKET CORD ASSEMBLY ..   | 1   |         |
| 2        | 122-84514-30-00 | . BULB .....              | 1   |         |
| 3        | 4V5-84521-00-00 | LENS, TAILLIGHT .....     | 1   |         |
| 4        | 1M1-84524-60-00 | SCREW, LENS FITTING ..... | 2   |         |
| 5        | 437-83936-01-00 | BAND, SWITCH CORD .....   | 2   |         |
| 6        | 90462-05005-00  | CLAMP .....               | 1   |         |

# ELECTRICAL 1

| Ref. No. | Part Number     | Description                           | Qty | Remarks                 |
|----------|-----------------|---------------------------------------|-----|-------------------------|
| 1        | 5G4-82310-40-00 | IGNITION COIL ASSEMBLY (J17-82310-21) | 1   |                         |
| 2        | 98511-06025-00  | SCREW PAN HEAD (92501-06025)          | 2   |                         |
| 3        | 92995-06100-00  | WASHER, SPRING                        | 2   |                         |
| 4        | 90462-05005-00  | CLAMP                                 | 1   |                         |
| 5        | 81E-82370-20-00 | PLUG CAP ASSEMBLY                     | 1   | U.R.                    |
|          | 8E7-82370-11-00 | PLUG CAP ASSEMBLY                     | 1   | U.R. W/NOISE SUPPRESSOR |
| 6        | 4V5-82590-00-00 | WIRE HARNESS ASSEMBLY                 | 1   |                         |
| 7        | 437-83936-01-00 | BAND, SWITCH CORD                     | 4   |                         |
| 8        | 25G-83936-01-00 | BAND, SWITCH CORD                     | 1   |                         |



# HANDLE SWITCH-LEVER



| Ref. No. | Part Number     | Description               | Qty | Remarks |
|----------|-----------------|---------------------------|-----|---------|
| 1        | 5F6-82911-00-00 | HOLDER, LEVER 1           | 1   |         |
| 2        | 4V4-82913-00-00 | HOLDER, LEVER LOWER 1     | 1   |         |
| 3        | 23X-83912-00-00 | LEVER 1                   | 1   |         |
| 4        | 90201-08083-00  | WASHER, PLATE             | 1   |         |
| 5        | 90109-06797-00  | BOLT                      | 1   |         |
| 6        | 95601-06100-00  | NUT, U                    | 1   |         |
| 7        | 98506-05020-00  | SCREW, PAN HEAD           | 2   |         |
| 8        | 92906-05100-00  | WASHER, SPRING            | 2   |         |
| 9        | 38V-82921-00-00 | HOLDER, LEVER 2           | 1   |         |
| 10       | 4V4-82913-00-00 | HOLDER, LEVER LOWER 1     | 1   |         |
| 11       | 3M2-93922-00-00 | UNAVAILABLE IN PRICE BOOK | 1   |         |
| 12       | 90201-08083-00  | WASHER, PLATE             | 1   |         |
| 13       | 90109-06797-00  | BOLT                      | 1   |         |
| 14       | 95601-06100-00  | NUT, U                    | 1   |         |
| 15       | 98506-05020-00  | SCREW, PAN HEAD           | 2   |         |
| 16       | 92906-05100-00  | WASHER, SPRING            | 2   |         |
| 17       | 23X-83976-00-00 | SWITCH, HANDLE 1          | 1   |         |
| 18       | 437-83936-01-00 | BAND, SWITCH CORD         | 2   |         |
| 19       | 4V5-82520-00-00 | LIGHT SWITCH ASSEMBLY     | 1   |         |

## IT465H 1981 SERVICE DATA

This bulletin replaces M80-097.  
Please remove and destroy bulletin M80-097. ▲ Denotes a change from the original bulletin.

|                                                       |                                                   |     |
|-------------------------------------------------------|---------------------------------------------------|-----|
| <b>MODEL - IBM I.D. NUMBER</b>                        | IT465H                                            | 4V6 |
| Initial Engine Number / Frame Number                  | 4V6-000101 / 4V6-000101                           |     |
| Basic Color(s)                                        | White                                             |     |
| Fuel Type / Fuel Tank Capacity / Reserve Capacity     | Premium / 13 Lit. (3.4 Gal.) / ∅                  |     |
| Dry Vehicle Weight                                    | ▲ 110 kg (248 lb)                                 |     |
| <b>ENGINE TYPE</b>                                    | 2-Stroke, Air-Cooled, Reed Valve                  |     |
| Bore/Stroke/Number Cylinders/Displacement (cc)        | 85mm / 82mm / 1 / 465cc                           |     |
| Compression Ratio/Compression Pressure Min~Max        | 7.1:1 / NA                                        |     |
| Piston Skirt Clearance New / Max                      | 0.070 ~ 0.075mm / 0.1mm                           |     |
| Ring End Gap Top / 2nd / 3rd                          | 0.3 ~ 0.5mm / 0.3 ~ 0.5mm / ∅                     |     |
| Valve Clearance (Cold) Intake / Exhaust               | ∅                                                 |     |
| Oil Pressure Hot / rpm                                | ∅                                                 |     |
| Oiling System                                         | Premix 16:1 Yamalube R*                           |     |
| Capacity: Dry                                         | ∅                                                 |     |
| Oil and Filter Change                                 | ∅                                                 |     |
| Oil Change                                            | ∅                                                 |     |
| Lubricant: Temp. Above 5°C (40°F)                     | Yamalube R*                                       |     |
| Temp. Below 15°C (60°F)                               | Yamalube R*                                       |     |
| <b>AUTOLUBE - Min Stroke / Color Code</b>             | ∅                                                 |     |
| Minimum Output @ 200 Cycles                           | ∅                                                 |     |
| Maximum Output @ 200 Cycles                           | ∅                                                 |     |
| <b>CARBURETOR - Mfr. / Type / I.D. Number</b>         | Mikuni / VM38SS / 4V6-00                          |     |
| Main Jet / Pilot Jet                                  | 380 / 35                                          |     |
| Needle Jet / Jet Needle-Clip Position                 | ▲ P-8 / 6F39-3                                    |     |
| Slide Cutaway or Throttle Valve                       | ▲ 2.0                                             |     |
| Float Level / Fuel Level                              | 27.0mm / 33.0 ± 1.0mm                             |     |
| Idle rpm                                              | ∅                                                 |     |
| Max CO* / Max HC* / Set CO                            | ∅                                                 |     |
| <b>SUSPENSION</b>                                     |                                                   |     |
| Front Forks: Oil Type / Level / Qty                   | 10 Wt. Fork Oil* / ∅ / 415cc                      |     |
| Gas Pressure                                          | 0 kg/cm <sup>2</sup>                              |     |
| Spring Length Std                                     | 603mm                                             |     |
| Monoshock: Oil Type / Qty                             | Not Rebuildable                                   |     |
| Gas Pressure                                          | 18 kg/cm <sup>2</sup> (256 psi)                   |     |
| Minimum Brake Lining Thickness                        | Front: 2mm Rear: 2mm                              |     |
| Tire Size (Nominal Pressure)                          | F:3.00-21 (psi Optional) R:5.60-17 (psi Optional) |     |
| <b>TRANSMISSION - Oil Type/Qty Chg/Qty Reassemble</b> | SAE 10W30 SE / 650cc / 700cc                      |     |
| Primary Drive Type / Teeth / Ratio                    | Helical Gear / 63-24 / 2.625                      |     |
| Secondary Drive Type / Teeth / Chain                  | Chain / 44-14 / DK520DS-108L                      |     |
| Clutch Friction Plate Thickness Std ~ Min             | 3.0 ~ 2.7mm                                       |     |
| Clutch Spring Length Std ~ Min                        | 36.0 ~ 35.0mm                                     |     |
| Middle Gear Case Capacity                             | ∅                                                 |     |
| Final Gear Case Capacity                              | ∅                                                 |     |
| Gear Case Lubricant: Temp. Above 5°C (40°F)           | ∅                                                 |     |
| Temp. Below 15°C (60°F)                               | ∅                                                 |     |
| All Weather Conditions                                | ∅                                                 |     |

|              |         |       |       |        |             |
|--------------|---------|-------|-------|--------|-------------|
| SERVICE COPY | SER MGR | MECH  | MECH  | MECH   | BINDER      |
| OFFICE COPY  | GEN MGR | SALES | PARTS | BINDER | PAGE 1 OF 2 |

|                                                  |                                                    |
|--------------------------------------------------|----------------------------------------------------|
| <b>CHARGING SYSTEM</b>                           | Flywheel Magneto                                   |
| Battery: Model / Specific Gravity / Charge Rate  | ∅                                                  |
| Maximum Output                                   | ∅                                                  |
| <b>TROUBLESHOOTING</b>                           |                                                    |
| Field Coil Color Code / Ω                        | ∅                                                  |
| Charge Coil Color Code / Ω                       | ∅                                                  |
| <b>IGNITION SYSTEM</b>                           | Capacitor-Discharge Ignition                       |
| Ignition Timing                                  | 2.0mm BTDC                                         |
| Spark Plug Type                                  | Champion N-3G                                      |
| Spark Plug Gap / Torque / Cap Ω                  | 0.6 ~ 0.7mm / 2.2 m·kg / 0K Ω                      |
| Point Gap / Condenser Capacitance                | ∅ / ∅                                              |
| <b>TROUBLESHOOTING</b>                           |                                                    |
| Ignition Coil Test Gap / Primary Ω / Secondary Ω | 6mm / 1.0 Ω ± 15% / 5.9K Ω ± 15%                   |
| Pulser Coil or Pickup Coil Color Code / Ω        | Wht-Red ~ Blk / 12.4 Ω ± 10%                       |
| Source Coil Color Code / Ω                       | Brn ~ Blk / 420 Ω ± 10% / Red ~ Blk / 13.6 Ω ± 10% |
| <b>LIGHTING SYSTEM</b>                           |                                                    |
| Headlight / Taillight / Signal Rating            | 6V25-25W / 6V5.3W / ∅                              |
| <b>TROUBLESHOOTING</b>                           |                                                    |
| Lighting Coil Color Code / Ω                     | Yel-Red ~ Blk / 0.48 Ω ± 10%                       |
| <b>TORQUE VALUES</b>                             |                                                    |
| Front Axle Nut                                   | 14 x 1.5: 5.8 m·kg                                 |
| Front Axle Holder Nut                            | 6 x 1.0: 1.0 m·kg                                  |
| Rear Axle Nut                                    | 18 x 1.5: 7.8 m·kg                                 |
| Rear Axle Pinch Bolt                             | ∅                                                  |
| Clutch Nut                                       | 20 x 1.0: 7.5 m·kg (Use Lock Washer)               |
| Drain Plug                                       | 14 x 1.25: 2.0 m·kg                                |
| Cylinder Head Cover                              | ∅                                                  |
| Cylinder Head:                                   | 8 x 1.25: 2.5 m·kg                                 |
| Engine Mounting Bolts: Front, Upper              | 8 x 1.25: 3.0 m·kg                                 |
| Front, Lower                                     | 8 x 1.25: 3.0 m·kg                                 |
| Rear, Upper                                      | ▲ 10 x 1.25: 6.3 m·kg                              |

∅ = Does Not Apply To This Model  
NA = Information Not Available

\*Available From Yamaha Parts Distributors Inc.  
\*For Diagnostic Use Only

|                                                  |                                                   |
|--------------------------------------------------|---------------------------------------------------|
| <b>CHARGING SYSTEM</b>                           | Flywheel Magneto                                  |
| Battery: Model / Specific Gravity / Charge Rate  | ∅                                                 |
| Maximum Output                                   | ∅                                                 |
| <b>TROUBLESHOOTING</b>                           |                                                   |
| Field Coil Color Code / Ω                        | ∅                                                 |
| Charge Coil Color Code / Ω                       | ∅                                                 |
| <b>IGNITION SYSTEM</b>                           | Capacitor-Discharge Ignition                      |
| Ignition Timing                                  | 2.0mm BTDC                                        |
| Spark Plug Type                                  | Champion N-3G                                     |
| Spark Plug Gap / Torque / Cap Ω                  | 0.6 ~ 0.7mm / 2.2 m·kg / 0K Ω                     |
| Point Gap / Condenser Capacitance                | ∅ / ∅                                             |
| <b>TROUBLESHOOTING</b>                           |                                                   |
| Ignition Coil Test Gap / Primary Ω / Secondary Ω | 6mm / 1.0 Ω ± 15% / 5.9K Ω ± 15%                  |
| Pulser Coil or Pickup Coil Color Code / Ω        | Wht-Red ~ Blk / 12.4 Ω ± 10%                      |
| Source Coil Color Code / Ω                       | Bn ~ Blk / 420 Ω ± 10% / Red ~ Blk / 13.6 Ω ± 10% |
| <b>LIGHTING SYSTEM</b>                           |                                                   |
| Headlight / Taillight / Signal Rating            | 6V25-25W / 6V5.3W / ∅                             |
| <b>TROUBLESHOOTING</b>                           |                                                   |
| Lighting Coil Color Code / Ω                     | Yel-Red ~ Blk / 0.48 Ω ± 10%                      |
| <b>TORQUE VALUES</b>                             |                                                   |
| Front Axle Nut                                   | 14 x 1.5: 5.8 m·kg                                |
| Front Axle Holder Nut                            | 6 x 1.0: 1.0 m·kg                                 |
| Rear Axle Nut                                    | 18 x 1.5: 7.8 m·kg                                |
| Rear Axle Pinch Bolt                             | ∅                                                 |
| Clutch Nut                                       | 20 x 1.0: 7.5 m·kg (Use Lock Washer)              |
| Drain Plug                                       | 14 x 1.25: 2.0 m·kg                               |
| Cylinder Head Cover                              | ∅                                                 |
| Cylinder Head:                                   | 8 x 1.25: 2.5 m·kg                                |
| Engine Mounting Bolts: Front, Upper              | 8 x 1.25: 3.0 m·kg                                |
| Front, Lower                                     | 8 x 1.25: 3.0 m·kg                                |
| Rear, Upper ▲                                    | 10 x 1.25: 6.3 m·kg                               |

∅ = Does Not Apply To This Model  
 NA = Information Not Available

\*Available From Yamaha Parts Distributors Inc.  
 \*For Diagnostic Use Only